



941043-00

KR54, KR1654 & KR4954

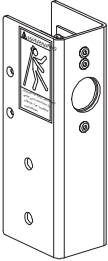



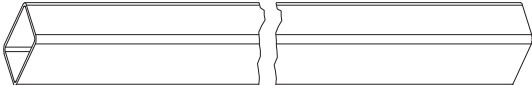
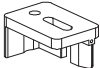


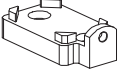
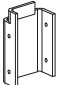
VON DUPRIN®

Keyed Removable Mullions

Installation Instructions

Not for use on electric or fire rated removable mullions

This kit includes the following parts: (Not to scale)

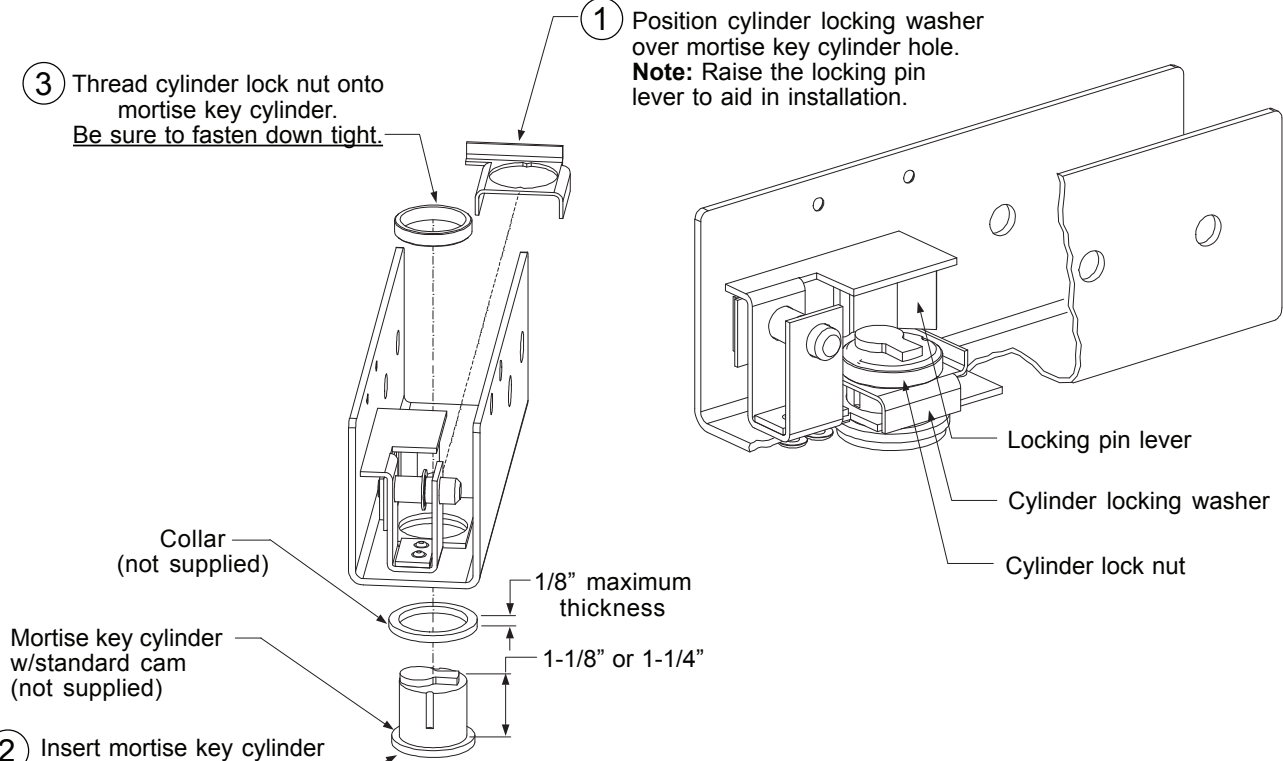
| | | | |
|---|---|---|---|
|  |  |  |  |
| | 5/16-18 x 1-1/4" Flat Pan Head Machine Screw and Expansion Anchor (KR1654, KR4954 & KR1654/4954 Blank Only) | 5/16-18 x 1-1/4" Button Socket Head Cap Screw | 8-32 x 3/8" Set Screw |
| |  | 1/4-20 x 1" Flat Head Socket Security Machine Screw | Sex Bolt |
| Locking mullion assembly (KR1654, KR4954 & KR1654/4954 Blank Only) | | 8-32 x 1/4" Undercut Flat Head Socket Security Machine Screw | Cylinder Locking Washer |
|  |  |  |  |
| Top mullion fitting | 5/32" Hex Key | Top Mullion Fitting Shim (KR1654, KR4954 & KR1654/4954 Blank Only) | Bottom Mullion Fitting |
| | | |  |
| | | | Back Cover Plate |

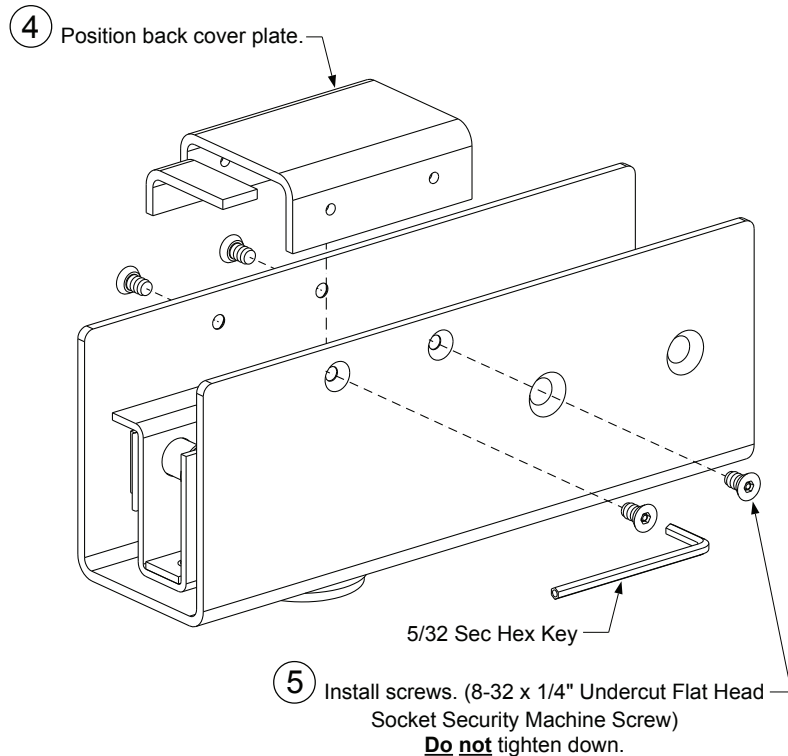
Step 1 Prepare the Keyed Removable Unit.

① Position cylinder locking washer over mortise key cylinder hole. **Note:** Raise the locking pin lever to aid in installation.

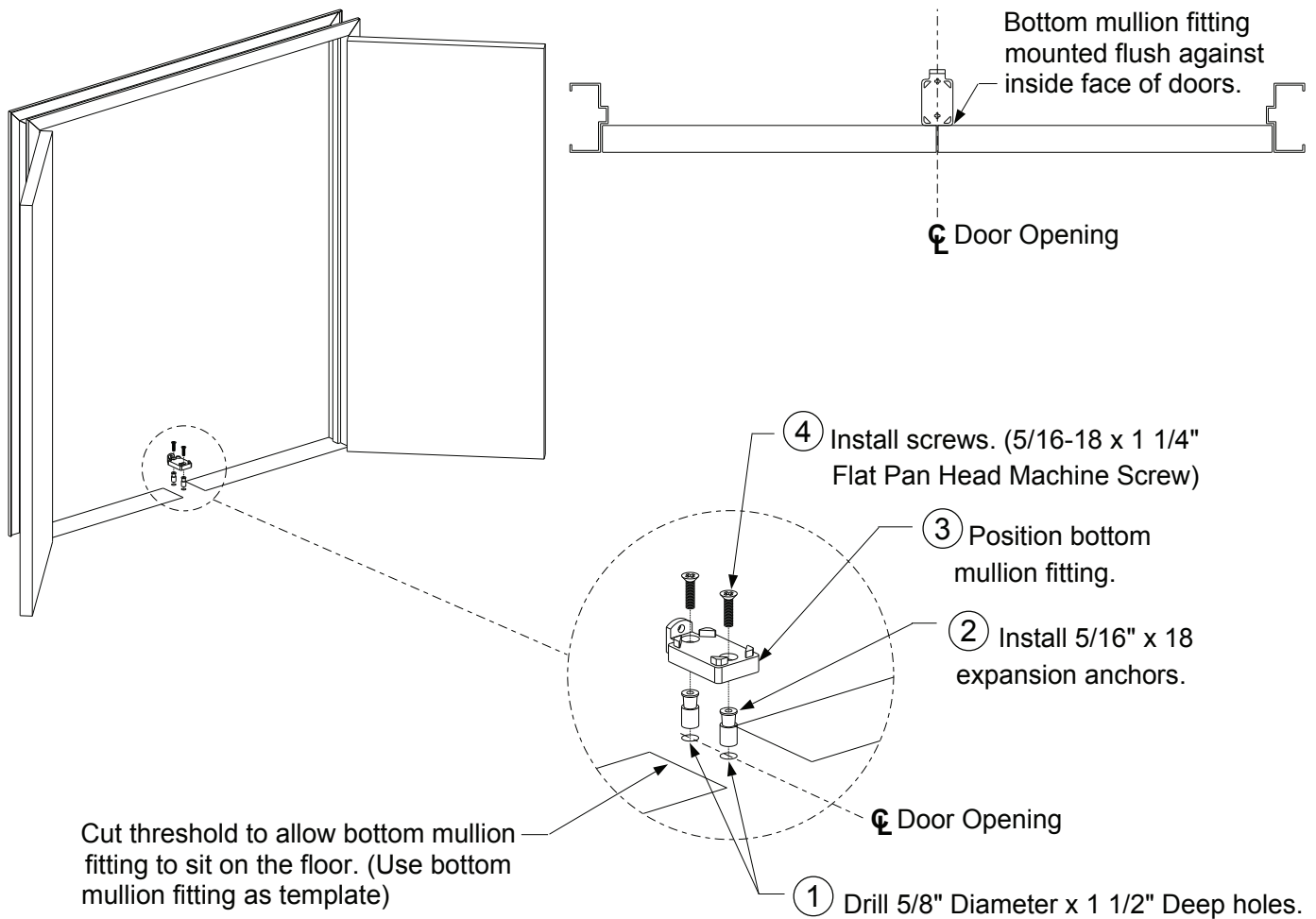
② Insert mortise key cylinder through collar and into hole. **Note:** Cylinder must be oriented as shown.

③ Thread cylinder lock nut onto mortise key cylinder. **Be sure to fasten down tight.**

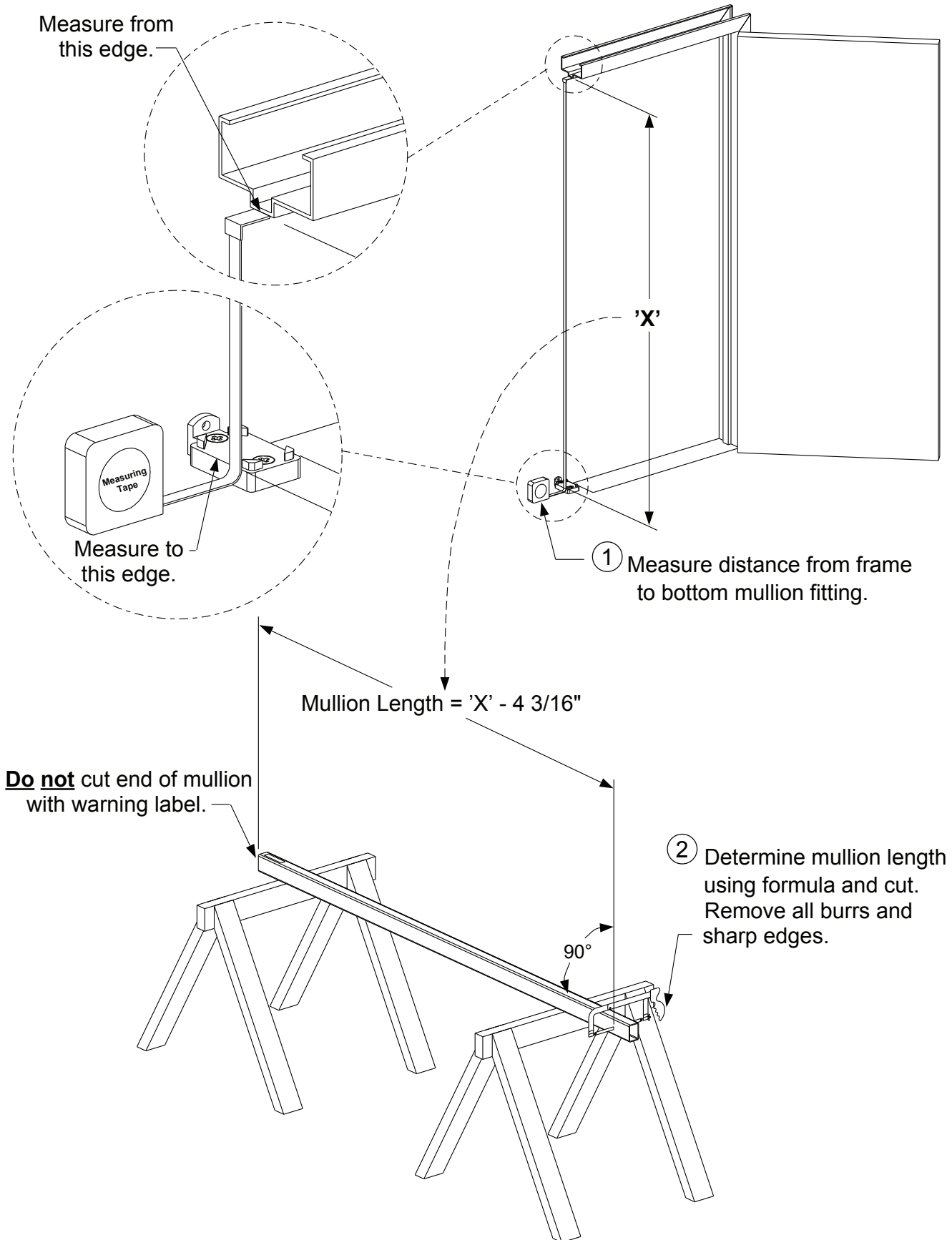




Step 2 Install bottom mullion fitting. (If bottom mullion fitting already exists, go to Step 3.)



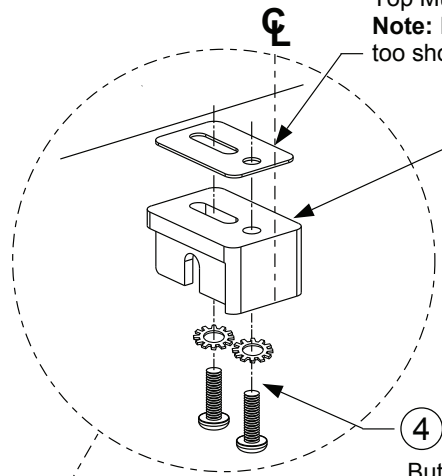
Step 3 Size mullion.



Step 4 Install top mullion fitting.

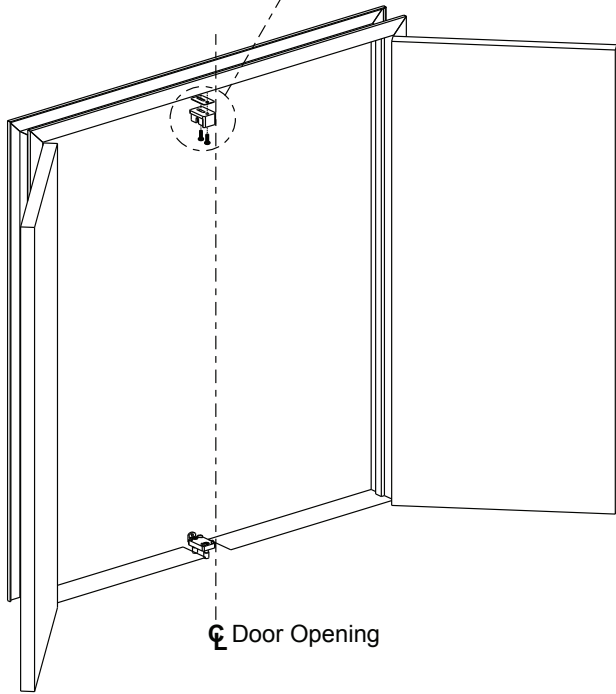
Top Mullion Fitting Shim

Note: If mullion is cut between 3/16" - 5/16" too short, add top mullion fitting shim.



1 Position top mullion fitting

4 Install screws and Lock Washers. (5/16-18 x 1 1/4" Button Socket Head Cap Screw & 5/16 External Tooth Lock Washer)



Door Opening

16 Gauge Reinforcement. Supplied by frame manufacturer.

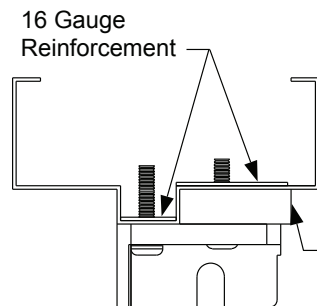
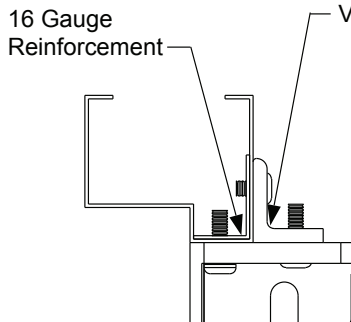
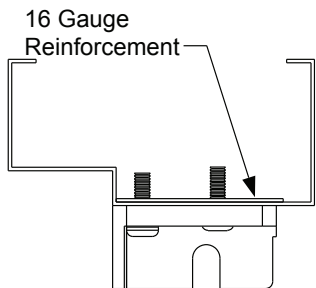
2 Mark holes.

3 Drill and tap frame for 5/16-18 screws using top mullion fitting as template.

Top mullion fitting mounted flush against inside face of doors.

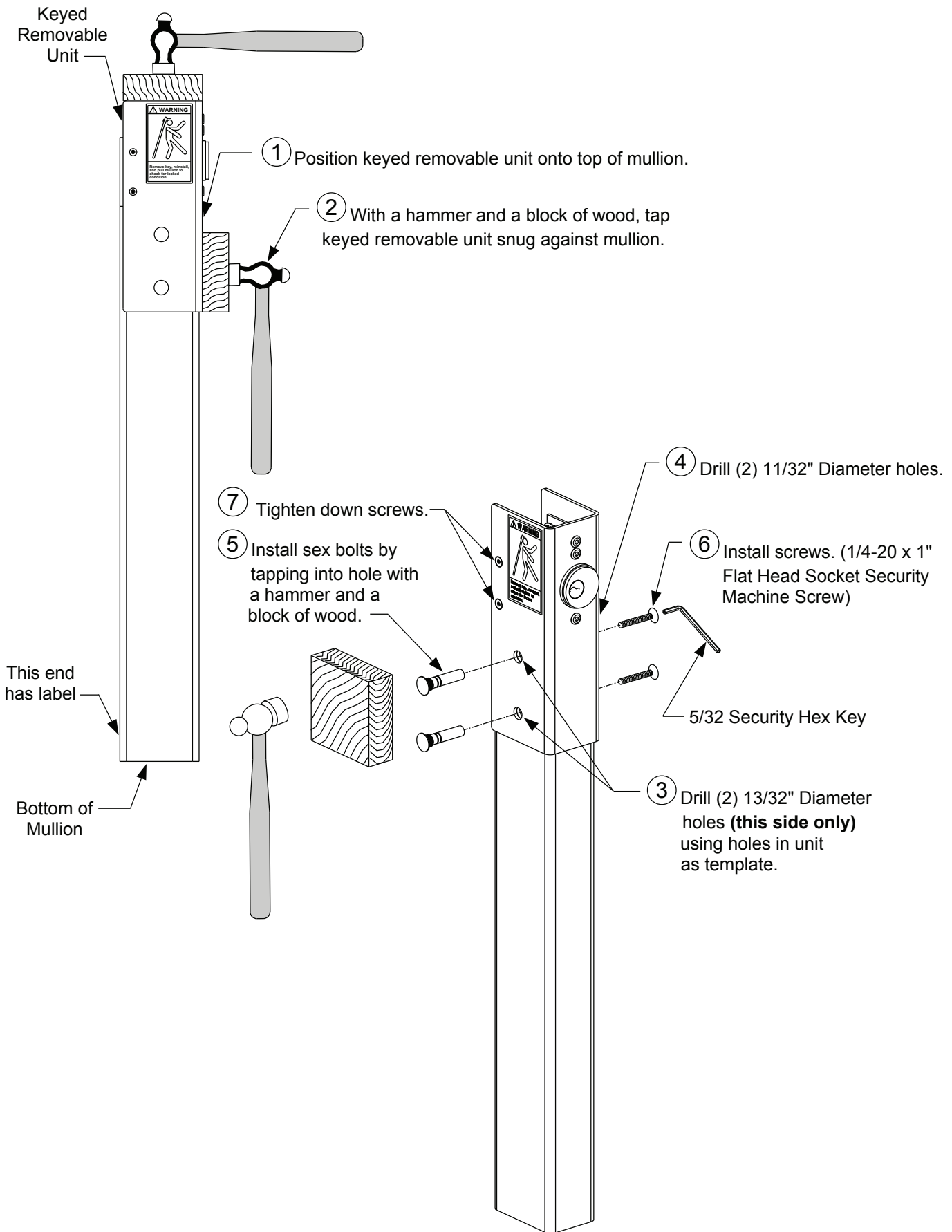
Mounting Top mullion fitting on optional frame styles:

Angle Bracket can be purchased through Von Duprin.

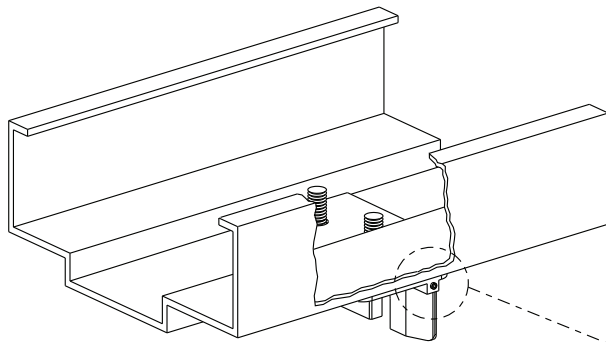


Filler block is to be supplied by frame manufacturer.

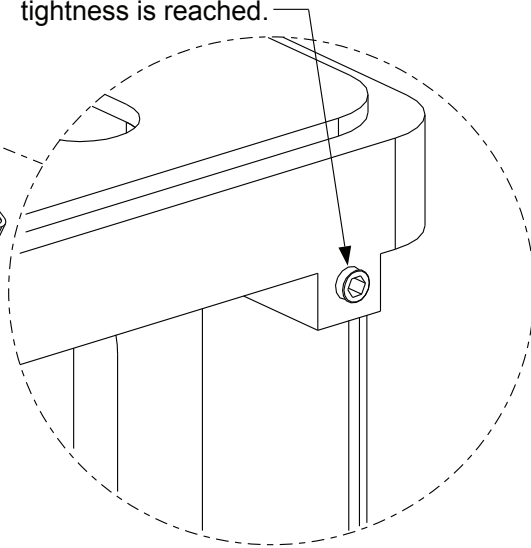
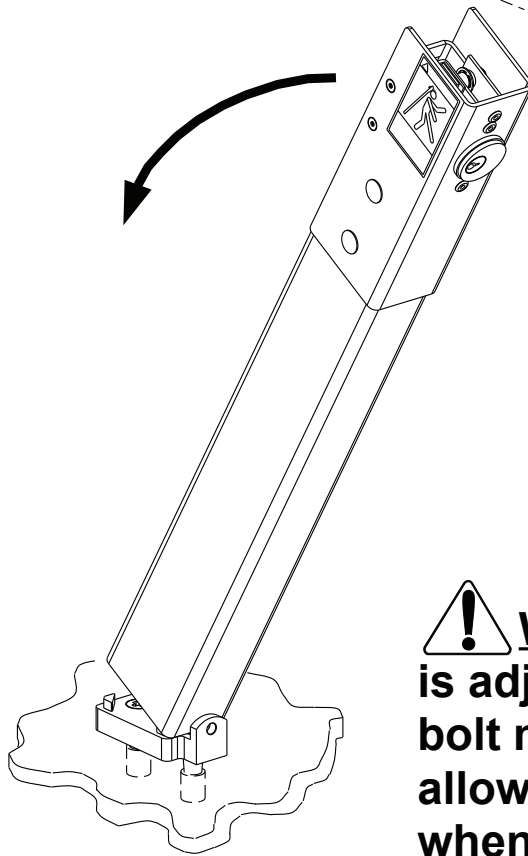
Step 5 Attach keyed removable unit to mullion.



Step 6 Final Installation & Adjustment.

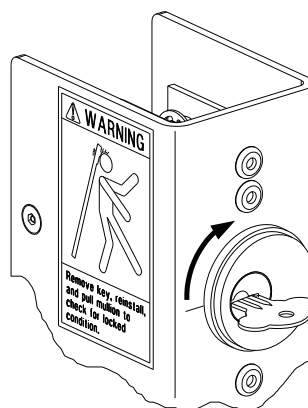


- 1 Install screw. (8-32 x 3/8" set screw) until flush with face of top mullion fitting. Install mullion.
- 2 Check for tightness of mullion by pushing and/or pulling on mullion. To tighten, remove mullion (see Step 7) and rotate set screw out 1/2 turn. Repeat this procedure until desired tightness is reached.



! WARNING! If set screw is adjusted out too far, the bolt may not latch completely allowing the mullion to fall out when impacted.

Step 7 Operation.



Rotate key 180°
Clockwise to unlock
and remove mullion

Customer Service

1-877-671-7011 www.allegion.com/us



© Allegion 2014
Printed in U.S.A.
941043-00 Rev. 01/14-c