



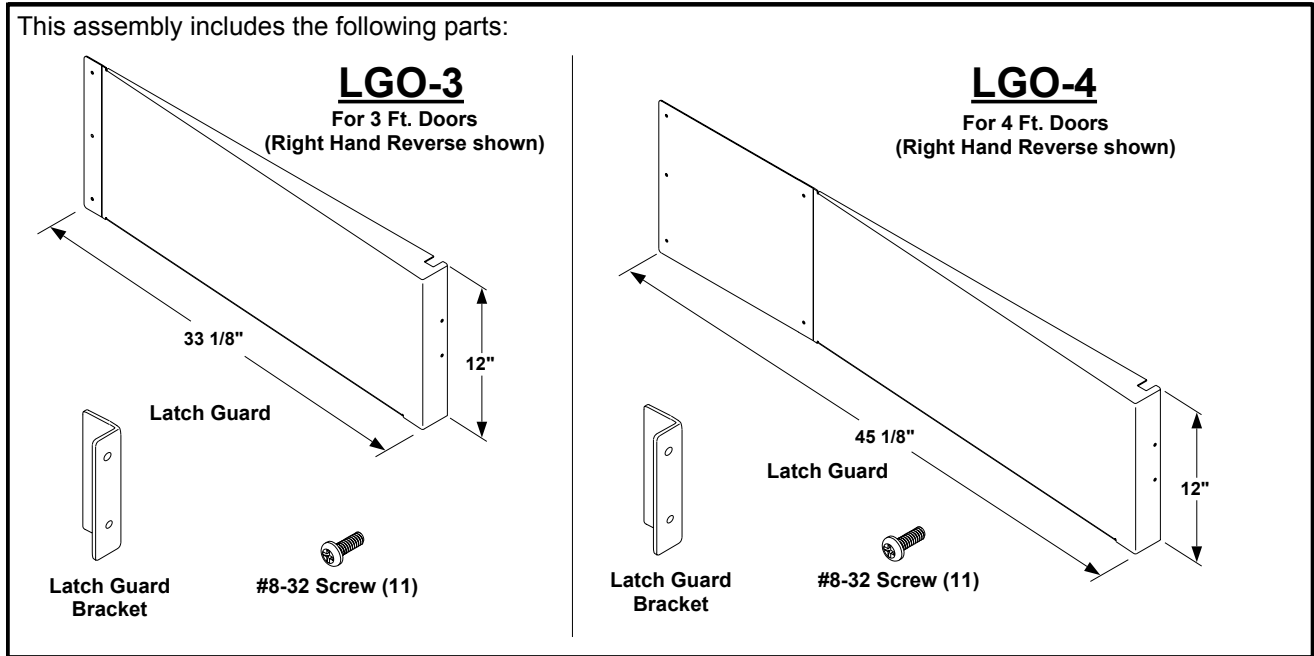
941058-00

LGO-3/LGO-4

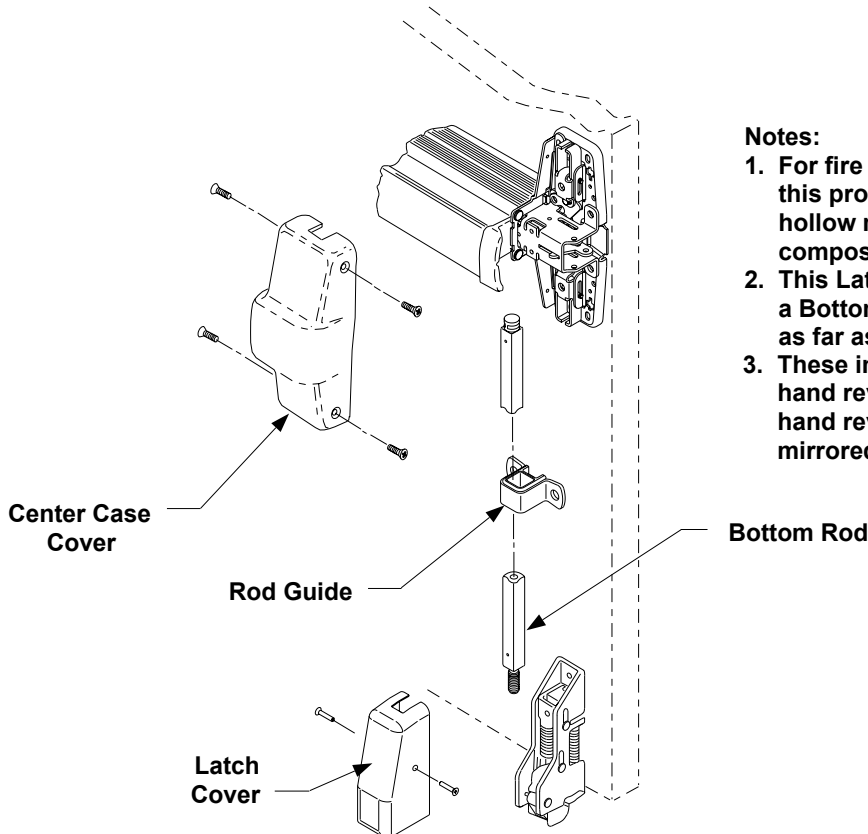
VON DUPRIN®

Latch Guards

Installation Instructions



Step 1 Remove Center Case Cover, Rod Guide, Latch Cover, and Bottom Rod.



Notes:

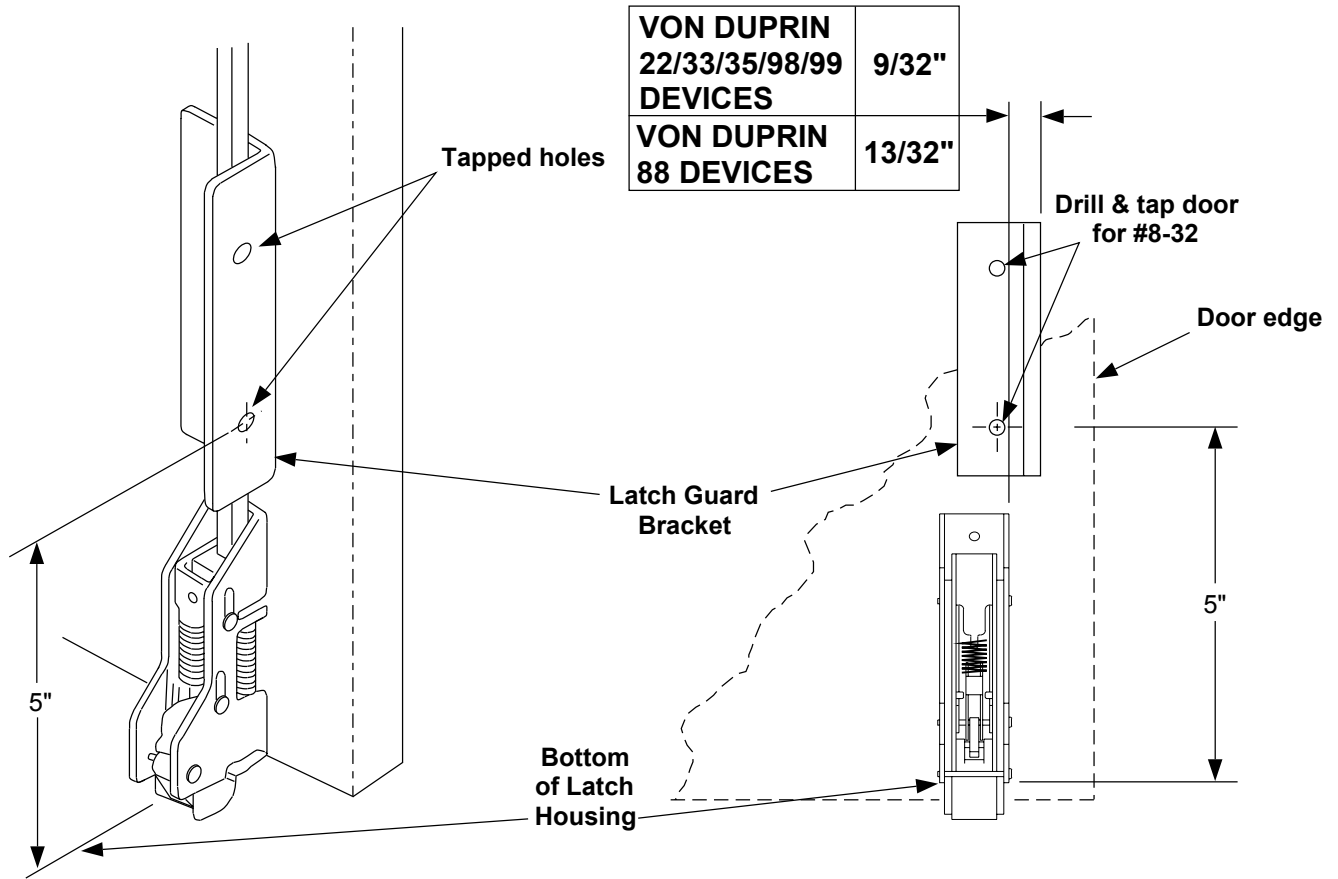
1. For fire door applications, this product can be used on hollow metal or metal clad composite fire doors only.
2. This Latch Guard will cover a Bottom Latch that projects as far as 1 13/16" from the door.
3. These instructions shows right hand reverse installation. Left hand reverse steps are identical mirrored opposite door leaf.



Customer Service

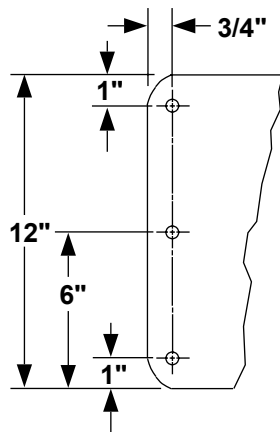
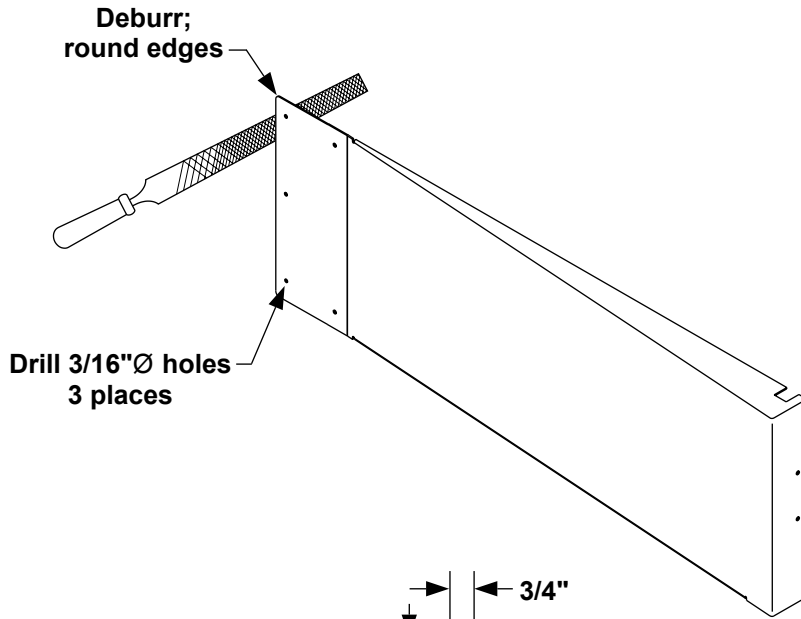
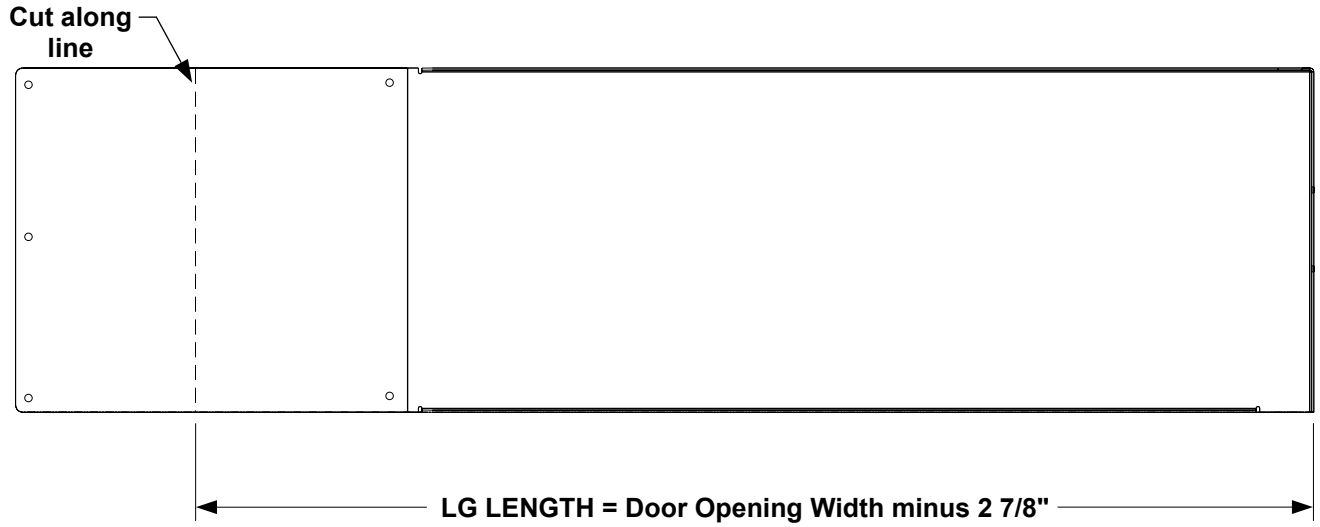
1-877-671-7011 www.allegion.com/us

Step ② Locate and Install Latch Guard Bracket. Use bracket as a template for drilling holes.

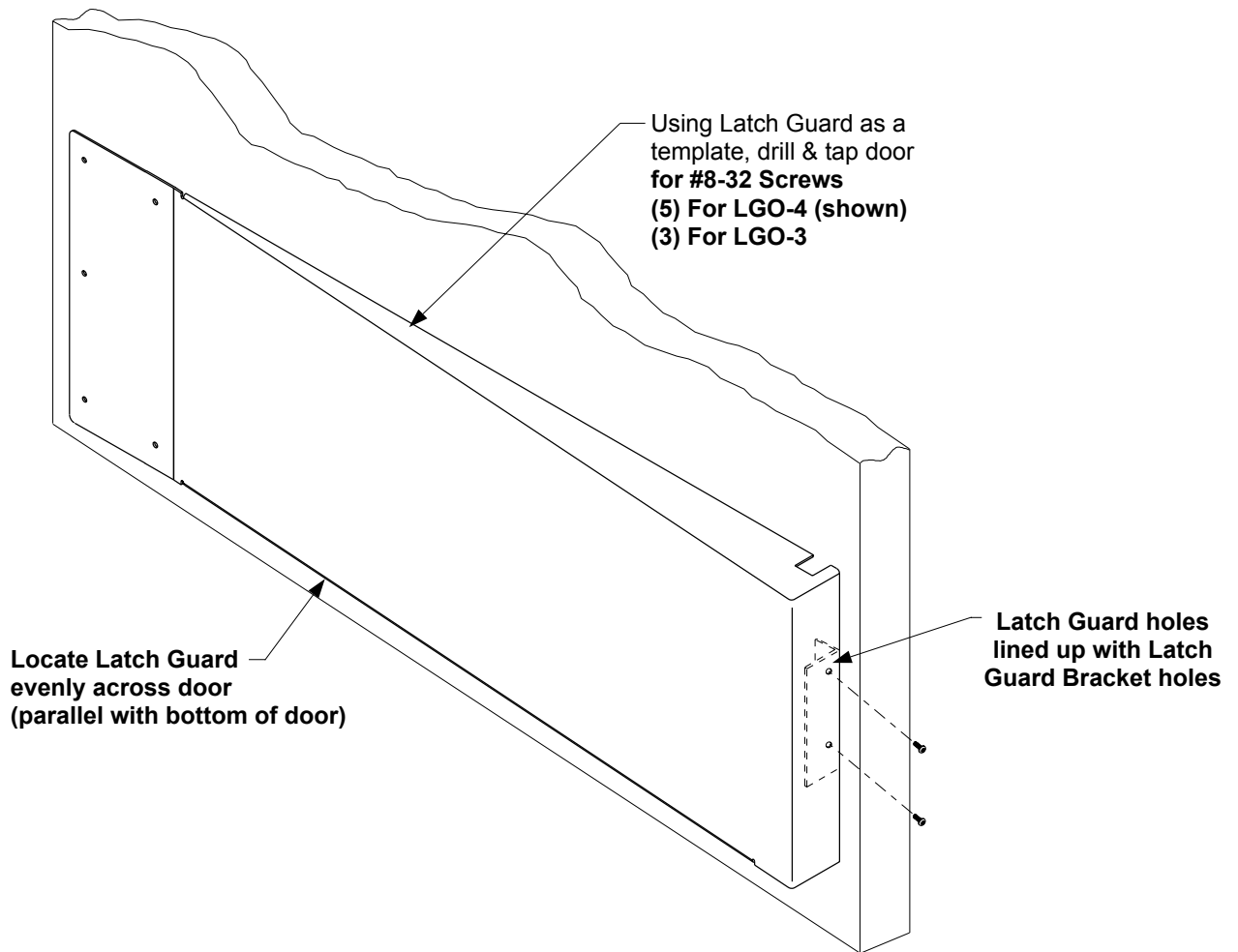


Step ③ Adjust and reinstall vertical rods per manufacturers' instructions. **Do not install Latch Cover.**

Step 4 Modify 4 ft. Latch Guard for door widths between 3 and 4 feet. If cutting is not necessary, skip to Step 5.



Step ⑤ Locate Latch Guard and prep door.



Step ⑥ Install Latch Guard.

