



941277-00

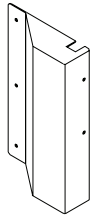
# LGO

# VON DUPRIN®

Latch Guard

Installation Instructions

## PARTS



Latch Guard



Latch Guard Bracket



#8-32 Screw  
(quantity 7)

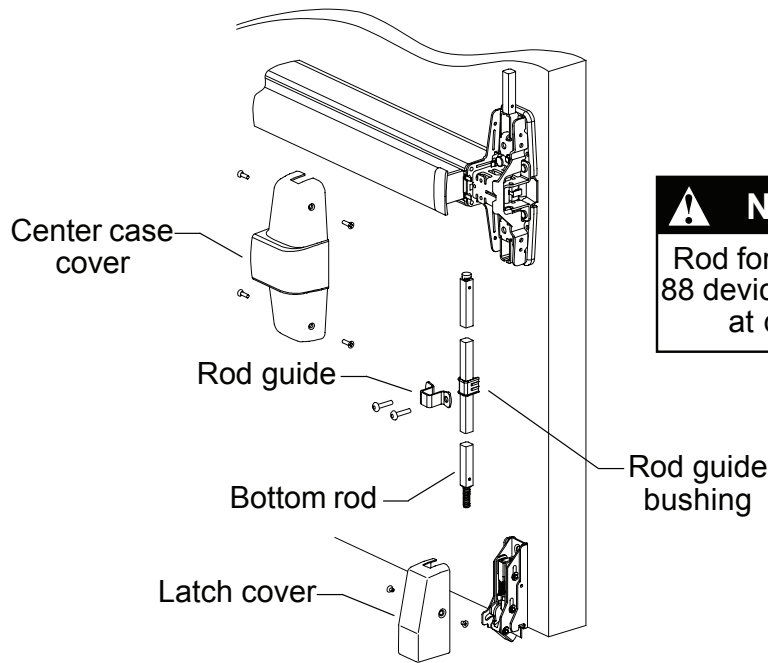


### NOTE

This latch guard will cover a bottom latch that projects as far as 1-13/16" from the door.

## INSTALLATION

- 1 Remove center case cover, latch cover, rod guide, and bottom rod (Figure 1).



### NOTE

Rod for 33/35 and 88 device unscrews at device.

**Figure 1**



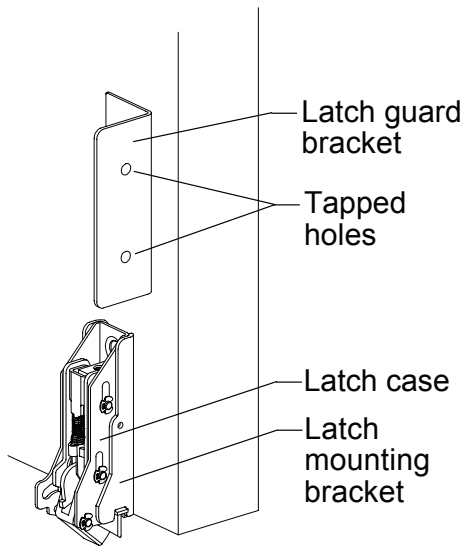
Customer Service

1-877-671-7011

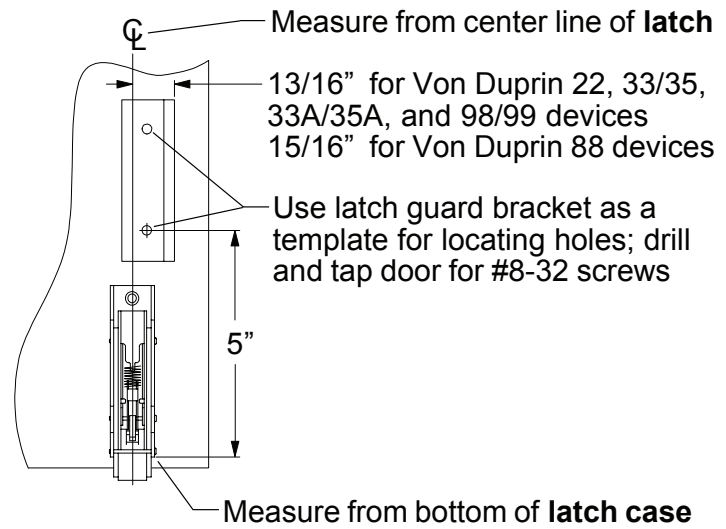
[www.allegion.com/us](http://www.allegion.com/us)

© Allegion 2014  
Printed in U.S.A.  
941277-00 Rev. 06/14-b

- 2 Locate and install latch guard bracket with two #8-32 screws (Figure 2 and Figure 3).

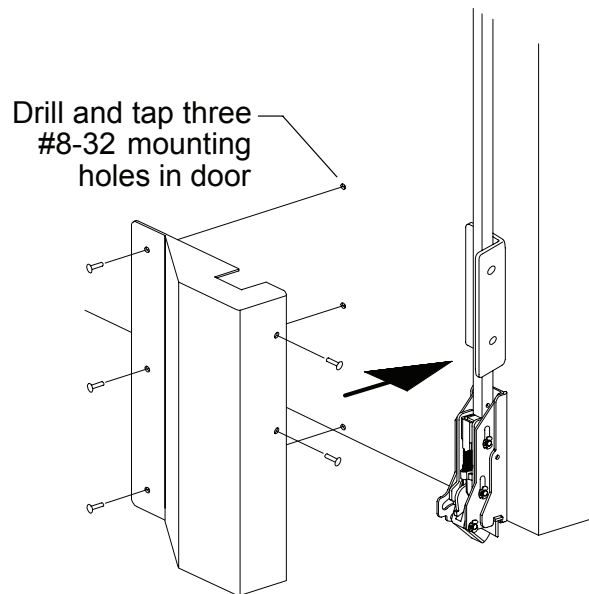


**Figure 2**



**Figure 3**

- 3 Reinstall rod and adjust rods per device instructions.
- 4 Reinstall rod guide bushing, rod guide, center case cover, and latch cover.
- 5 Drill and tap door for #8-32 screws and install latch guard with five #8-32 screws (Figure 4).



**Figure 4**