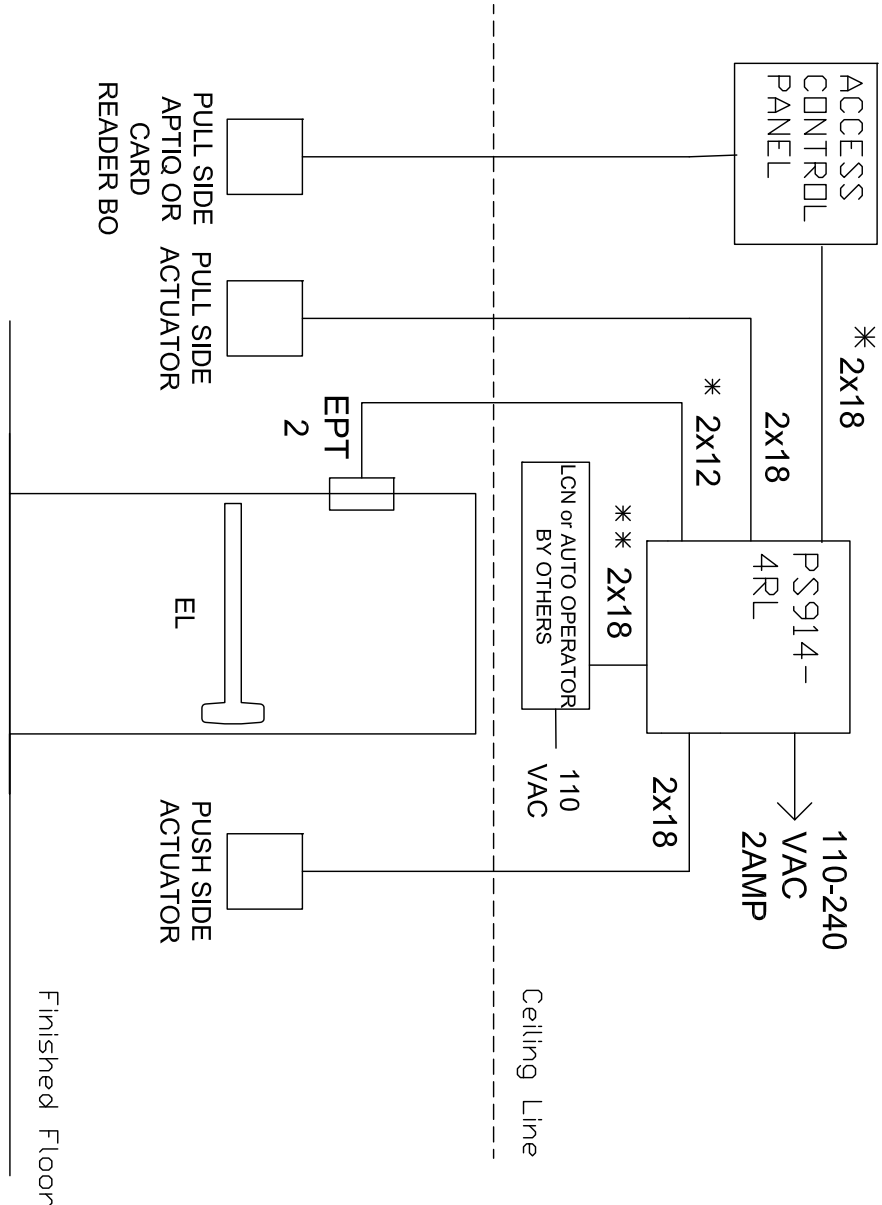


THIS DIAGRAM REPRESENTS A GENERIC CONFIGURATION. CUSTOM WIRING DIAGRAMS CAN BE ACQUIRED BY CONTACTING TECHNICAL SUPPORT.



NOTE:  
 \* USE #12 GAUGE WIRE FOR DISTANCES UP TO 200' FROM EPT TO PS914  
 \* USE #14 GAUGE WIRE FOR DISTANCES UP TO 100' FROM EPT TO PS914  
 \*\* ADDITIONAL WIRING IS REQUIRED. SEE MANUFACTURER INSTALLATION INSTRUCTION

NOTES:  
 1) ALL LOW VOLTAGE WIRING TO BE STANDARD MULTI-CONDUCTOR COLOR CODED WITHOUT SPLICES.  
 2) WIRING TO CONFORM TO APPLICABLE NATIONAL, STATE AND LOCAL ELECTRICAL CODES.  
 3) REFER TO SPECIFIC PRODUCT INSTALLATION INSTRUCTIONS FOR SPECIFIC WIRING REQUIREMENTS.  
 4) THIS DRAWING IS FOR GRAPHICAL REPRESENTATION OF PRODUCTS DETAILED IN THE HARDWARE SET ONLY. THAT IS NOT SHOWN HERE. CONSULT PROVIDER FOR DETAILS.

HARDWARE USED:	
1	VENDORIN DR FALCON EL PANIC DEVICE
1	APTIO DR CARD READER BY OTHERS WITH ACP
2	ACTUATORS
1	PS914-4RL POWER SUPPLY
1	EPT POWER TRANSFER
1	LCN DR AUTO OPERATOR BY OTHERS
TYPE	
EL PANIC WITH AO	

OPERATION:	
PUSH SIDE ACTUATOR TO RETRACT THE ELECTRIC PANIC BAR AND OPEN THE DOOR. PULL SIDE APTIO OR CARD READER BO TO RETRACT THE ELECTRIC PANIC BAR AND ENABLE THE PULL SIDE ACTUATOR TO OPEN THE DOOR. THIS CONFIGURATION REPRESENTS A NON-FIRE RATED OPENING.	
IN THIS EXAMPLE ALL WIRING CONNECTIONS ARE MADE IN THE PS914 ENCLOSURE.	
DATE DRAWN	REVISION DATE
3-20-13	3-20-13
COPYRIGHT 2013	

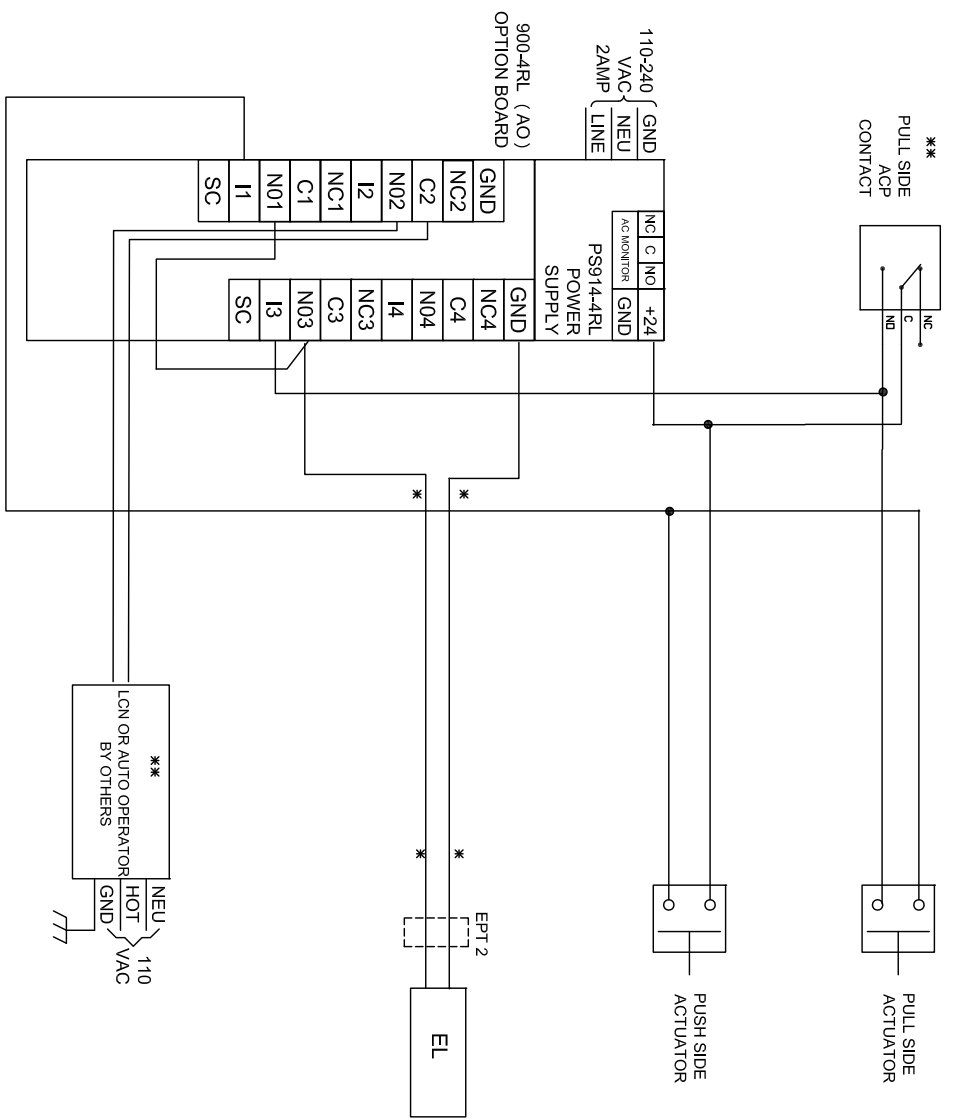
TITLE:

**ALLEGION™**

PS914-4RL AS AO WITH EL PANIC

DRAWING TYPE	DWG NO.	REV
RISER DIAGRAM	109441	A
DRAWING CHECKED BY: B DOVE		

THIS DIAGRAM REPRESENTS A GENERIC CONFIGURATION. CUSTOM WIRING DIAGRAMS CAN BE ACQUIRED BY CONTACTING TECHNICAL SUPPORT.



SET 900-4RL CARD:  
 SW2 PACK-SW1 OFF AND SW2 ON,  
 SW1 PACK-SW1 ON, SW2 OFF, SW3 AND SW4 OFF AND OTHER SWITCHES  
 AS REQUIRED FOR INSTALLATION. SEE 900-4RL INSTALLATION  
 INSTRUCTIONS FOR DETAILS.

PROGRAM C2 AND N02 FOR DRY CONTACT.

SET ALL OTHER SWITCHES AS REQUIRED FOR INSTALLATION

NOTE:  
 \*USE #12 GAUGE WIRE FOR DISTANCES UP TO 200' FROM EPT TO PS914  
 \*USE #14 GAUGE WIRE FOR DISTANCES UP TO 100' FROM EPT TO PS914  
 \*\*ADDITIONAL WIRING IS REQUIRED. SEE MANUFACTURER INSTALLATION INSTRUCTION

NOTES:  
 1) ALL LOW VOLTAGE WIRING TO BE STANDARD  
 MULTI-CONDUCTOR COLOR CODED WITHOUT SPLICES.  
 2) WIRING TO CONFORM TO APPLICABLE NATIONAL,  
 STATE AND LOCAL ELECTRICAL CODES.  
 3) REFER TO SPECIFIC PRODUCT INSTALLATION  
 INSTRUCTIONS FOR SPECIFIC WIRING REPRESENTATIONS.  
 4) THIS DRAWING IS FOR GRAPHICAL REPRESENTATION  
 OF PRODUCTS DETAILED IN THE HARDWARE SET ONLY.  
 5) ADDITIONAL WIRING WILL BE REQUIRED FROM ACP  
 THAT IS NOT SHOWN HERE. CONSULT PROVIDER FOR  
 DETAILS.

HARDWARE USED:  
 1 VINDUPRIN OR FALCON EL PANIC DEVICE  
 1 APT10 OR CARD READER BY OTHERS WITH ACP  
 2 ACTUATORS  
 1 PS914-4RL POWER SUPPLY  
 1 EPT POWER TRANSFER  
 1 LCN OR AUTO OPERATOR BY OTHERS

TYPE  
 EL PANIC WITH AD

OPERATION:  
 PUSH SIDE ACTUATOR TO RETRACT THE ELECTRIC PANIC BAR AND OPEN THE DOOR.  
 PULL SIDE APT10 OR CARD READER BO TO RETRACT THE ELECTRIC PANIC BAR AND ENABLE  
 THE PULL SIDE ACTUATOR TO OPEN THE DOOR.  
 THIS CONFIGURATION REPRESENTS A NON-FIRE RATED OPENING.  
 IN THIS EXAMPLE ALL WIRING CONNECTIONS ARE MADE IN THE PS914 ENCLOSURE.

DATE DRAWN 3-20-13 REVISION DATE 3-20-13  
 copyright 2013

TITLE:  
**ALLEGION™**  
 PS914-4RL AS AO WITH EL PANIC

DWG NO: 109441  
 DRAWING CHECKED BY: B DOVE  
 REV: A