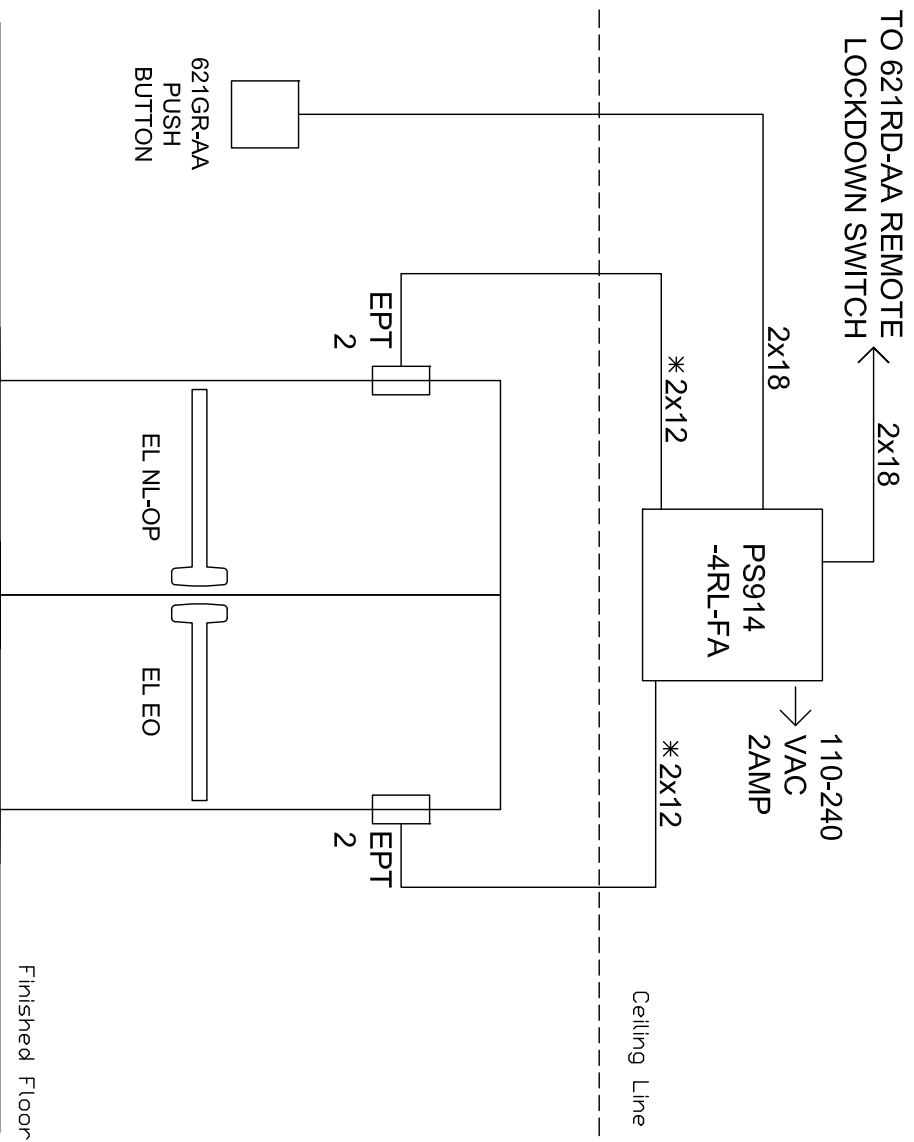


THIS DIAGRAM REPRESENTS A GENERIC CONFIGURATION. CUSTOM WIRING DIAGRAMS CAN BE ACQUIRED BY CONTACTING TECHNICAL SUPPORT.



NOTES:
 1) ALL LOW VOLTAGE WIRING TO BE STANDARD MULTI-CONDUCTOR COLOR CODED WITHOUT SPLICES.
 2) WIRING TO CONFORM TO APPLICABLE NATIONAL, STATE AND LOCAL ELECTRICAL CODES.
 3) REFER TO SPECIFIC PRODUCT INSTALLATION INSTRUCTIONS FOR SPECIFIC WIRING REQUIREMENTS. OF PRODUCTS DETAILED IN THE HARDWARE SET ONLY.
 5) ADDITIONAL WIRING WILL BE REQUIRED FROM ACP THAT IS NOT SHOWN HERE. CONSULT PROVIDER FOR DETAILS.

HARDWARE USED:	
2 VONDUPRIN OR FALCON EL PANIC DEVICES	
2 EPT2	
1 621GR-AA PUSH BUTTON	
1 621RD-AA PUSH BUTTON	
1 PS914-4RL-FA POWER SUPPLY	
TYPE	
EMERGENCY RELEASE OF EL PANIC DEVICES	

OPERATION:	
EL LATCHES HELD SIGNALLED TO RETRACT BY 621GR-AA PUSH BUTTON. IN THE EVENT OF AN EMERGENCY PRESSING 621RD REMOTE PUSH BUTTON WILL CAUSE EL LATCHES TO EXTEND SECURING DOOR FROM PULL SIDE. THIS EXAMPLE IS FOR A NON FIRE RATED APPLICATION. IN THIS EXAMPLE ALL CONNECTIONS ARE MADE IN PS914 ENCLOSURE.	
DATE DRAWN	REVISION DATE
3-21-13	3-21-13
COPYRIGHT 2013	

TITLE: **PS914-4RL-FA EL PAIR EMERGENCY RELEASE**

ALLEGIION™

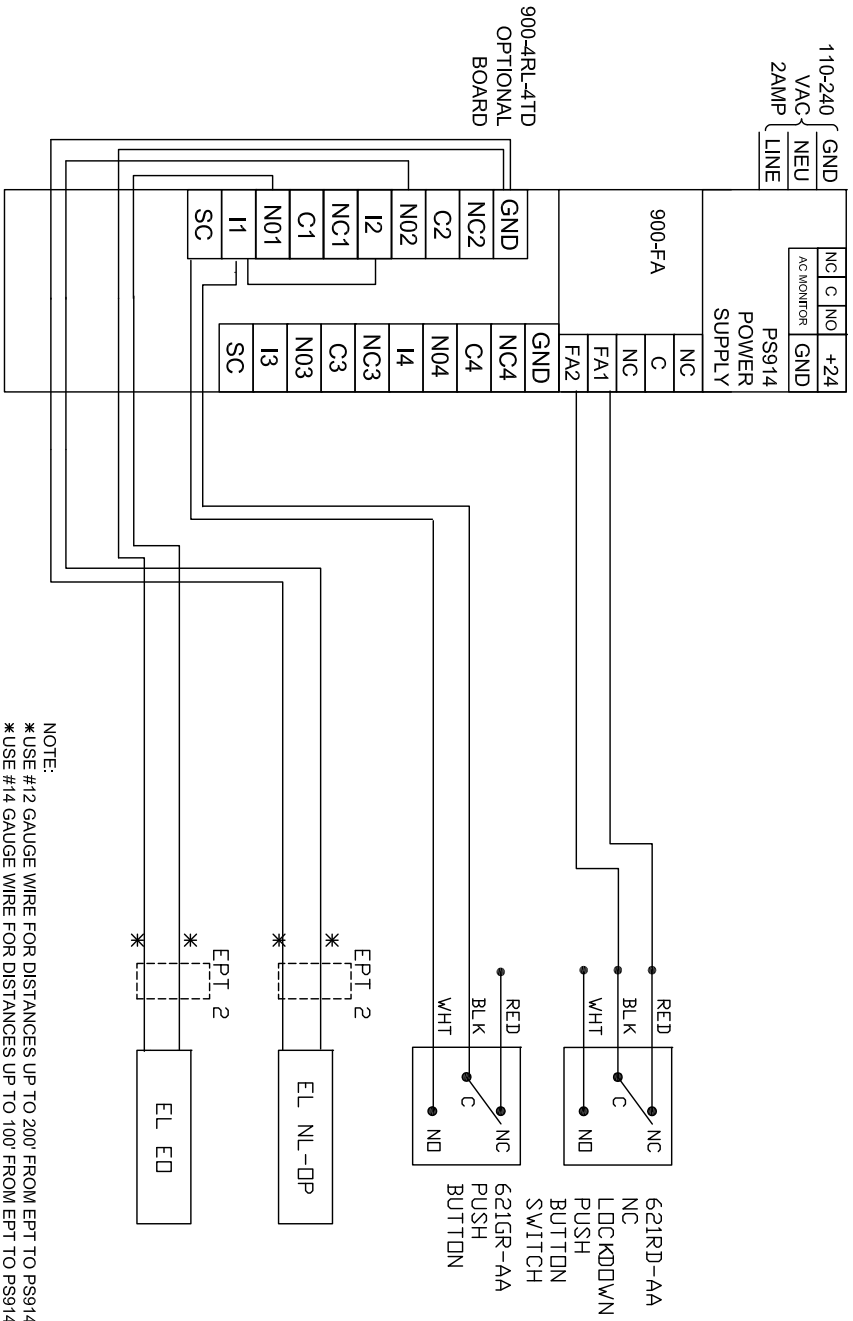
DRAWING TYPE: RISER DIAGRAM

DWG NO: 109444

DRAWN/CHECKED BY: B DOVE

REV: A

THIS DIAGRAM REPRESENTS A GENERIC CONFIGURATION. CUSTOM WIRING DIAGRAMS CAN BE ACQUIRED BY CONTACTING TECHNICAL SUPPORT.



NOTES:
1) ALL LOW VOLTAGE WIRING TO BE STANDARD MULTI-CONDUCTOR COLOR CODED WITHOUT SPLICES.
2) WIRING TO CONFORM TO APPLICABLE NATIONAL, STATE AND LOCAL ELECTRICAL CODES.
3) REFER TO SPECIFIC PRODUCT INSTALLATION INSTRUCTIONS FOR SPECIFIC WIRING REQUIREMENTS. OF PRODUCTS DETAILED IN THE HARDWARE SET ONLY.
5) ADDITIONAL WIRING WILL BE REQUIRED FROM ACP THAT IS NOT SHOWN HERE. CONSULT PROVIDER FOR DETAILS.

HARDWARE USED:	
2	VONDUPRIN OR FALCON EL PANIC DEVICES
2	EPT2
1	621GR-AA PUSH BUTTON
1	621RD-AA PUSH BUTTON
1	PS914-4RL-FA POWER SUPPLY
TYPE	EMERGENCY RELEASE OF EL PANIC DEVICES

OPERATION:	
EL LATCHES HELD SIGNALLED TO RETRACT BY 621GR-AA PUSH BUTTON. IN THE EVENT OF AN EMERGENCY PRESSING 621RD REMOTE PUSH BUTTON WILL CAUSE EL LATCHES TO EXTEND SECURING DOOR FROM FULL SIDE.	
THIS EXAMPLE IS FOR A NON-FIRE RATED APPLICATION. IN THIS EXAMPLE ALL CONNECTIONS ARE MADE IN PS914 ENCLOSURE.	
DATE DRAWN	3-21-13
REVISION DATE	3-21-13
Copyright © 2013	

TITLE:
ALLEGION™
PS914-4RL-FA EL PAIR
EMERGENCY RELEASE

DRAWING TYPE:
WIRING DIAGRAM

DWG NO.:
109444

DRAWING CHECKED BY:
B DOWE

REV:
A