



941091-00

QEL

VON DUPRIN®

Motor Replacement Kit

Installation Instructions

1



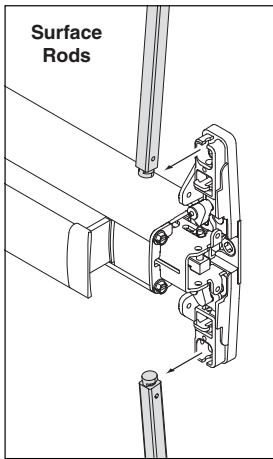
To avoid risk of shock, disconnect AC power from power supply before proceeding with this conversion.

If using Battery Backup option, unplug all four wires from battery terminals.

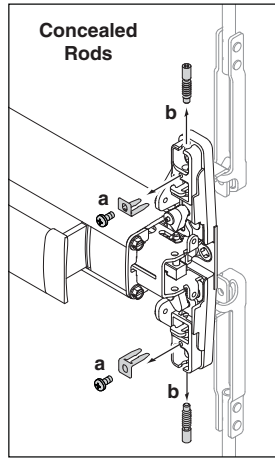
2

**Detach Vertical Rods**

Skip this step if device does not have vertical rods.



OR

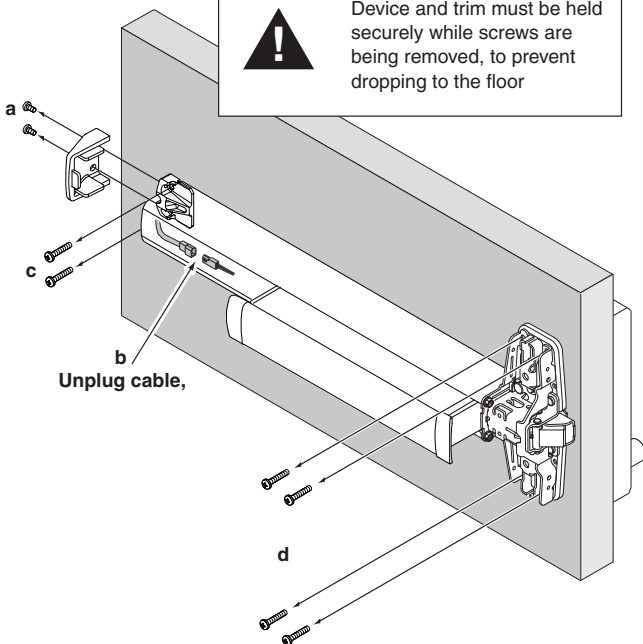


3

**Remove Exit Device from Door**

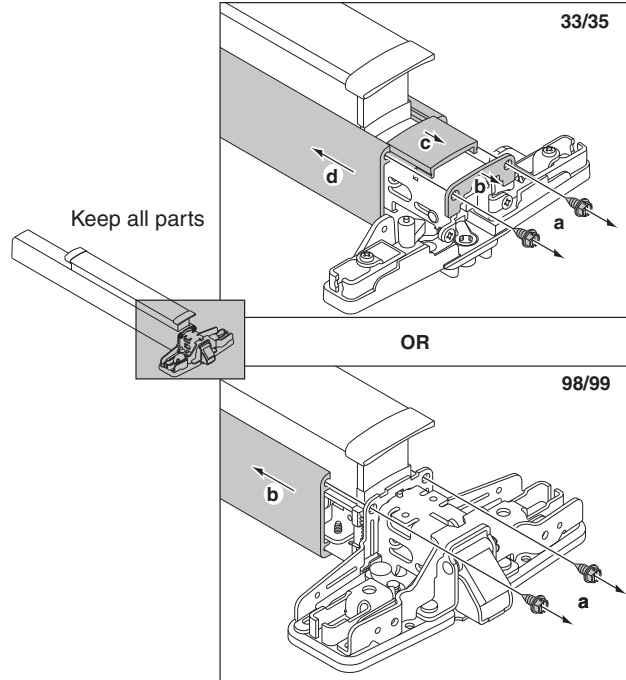


Device and trim must be held securely while screws are being removed, to prevent dropping to the floor



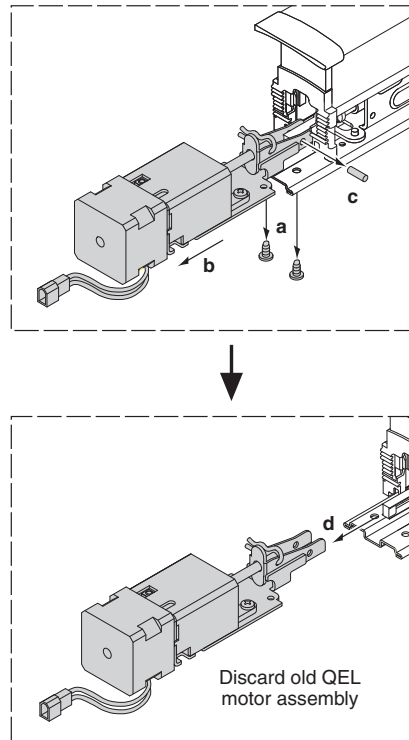
4

**Remove Mechanism Case**



5

**Remove Old QEL Motor Assembly**



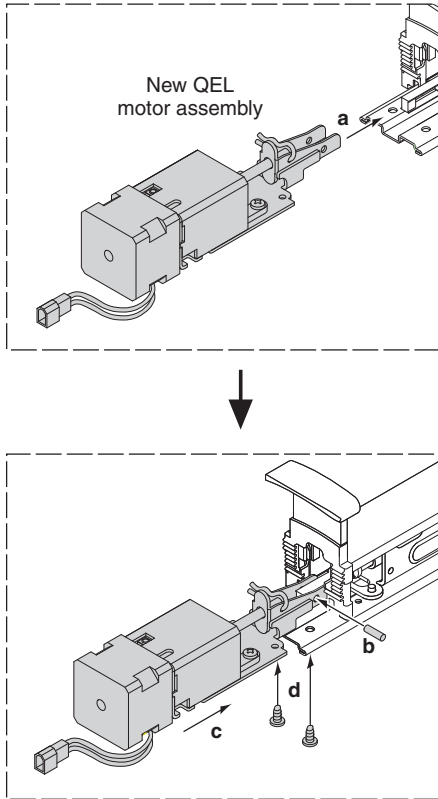
Customer Service

1-877-671-7011

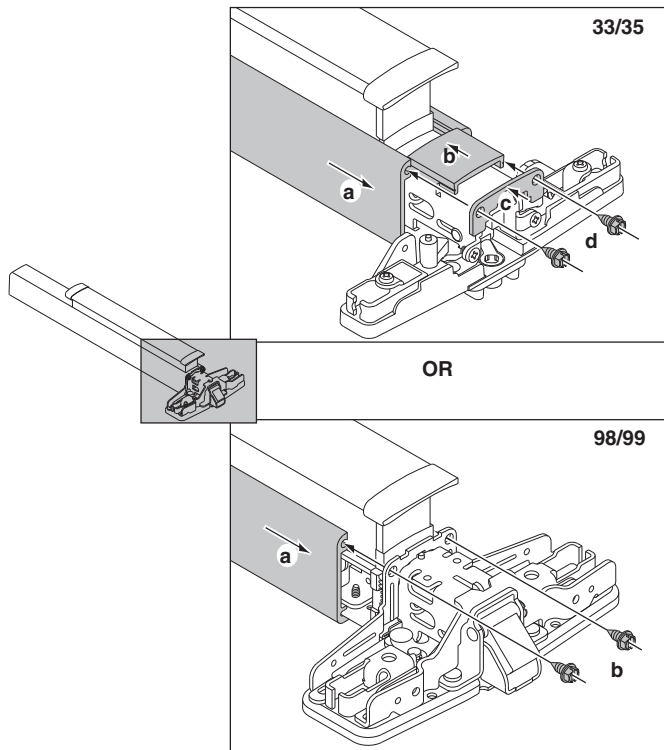
www.allegion.com/us

© Allegion 2014  
Printed in U.S.A.  
941091-00 Rev. 01/14-b

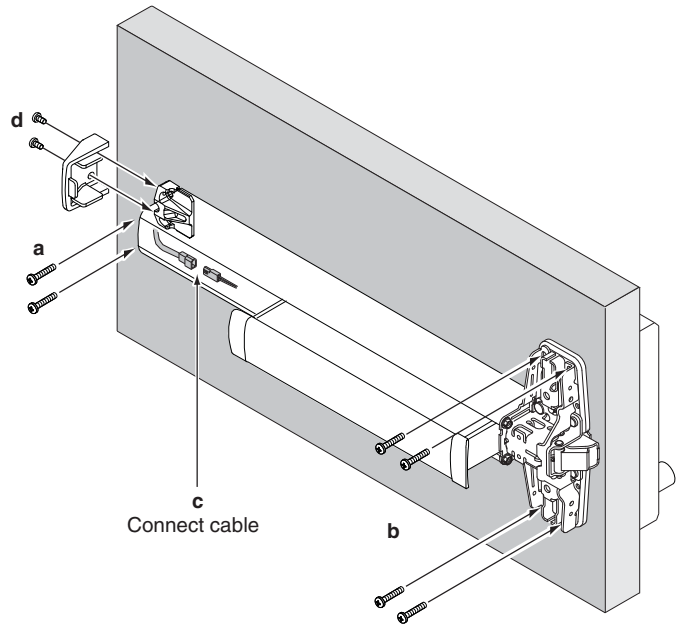
**6** Install New QEL Motor Assembly



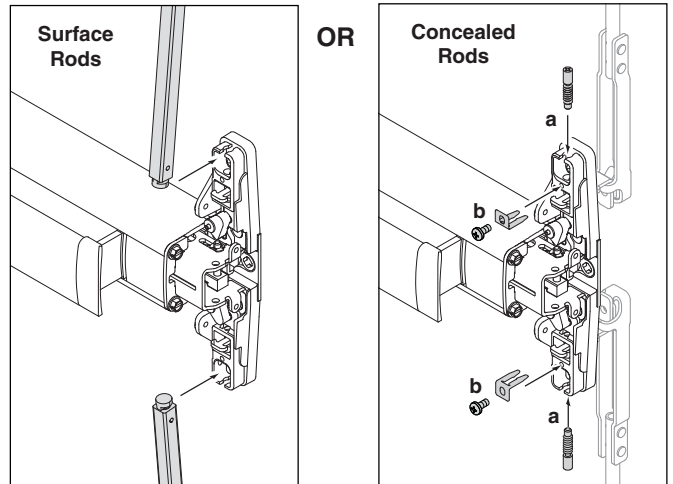
**7** Install Mechanism Case



**8** Attach Exit Device to Door



**9** For Vertical Devices ONLY, Attach Vertical Rods:



For more detailed installation instructions for specific exit devices, visit [www.allegion.com/us](http://www.allegion.com/us)