



941275-00

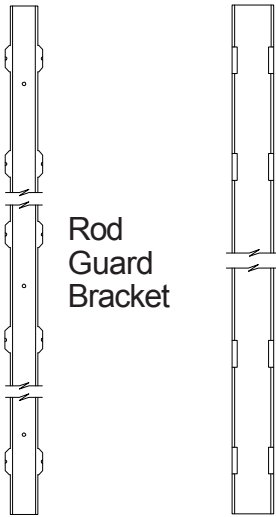
# RGO

# VON DUPRIN®

Rod Guard

Installation Instructions

## PARTS



Rod Guard Bracket

Rod Guard



Rod Guard End Cap



#8-32 Screw (quantity 11)

**NOTE**

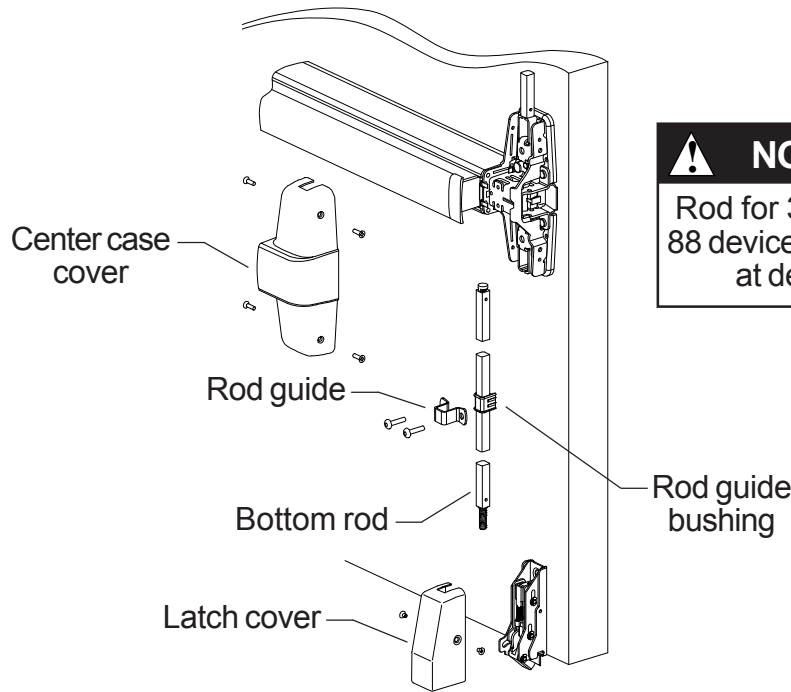
For fire door applications, this product can be used on hollow metal and metal-clad composite fire doors only.

**NOTE**

These instructions show bottom rod guard installation. Use the same procedure to install top rod guard.

## INSTALLATION

- 1 Remove center case cover, latch cover, rod guide, bottom rod, and rod guide bushing (Figure 1).



**NOTE**

Rod for 33/35 and 88 device unscrews at device.

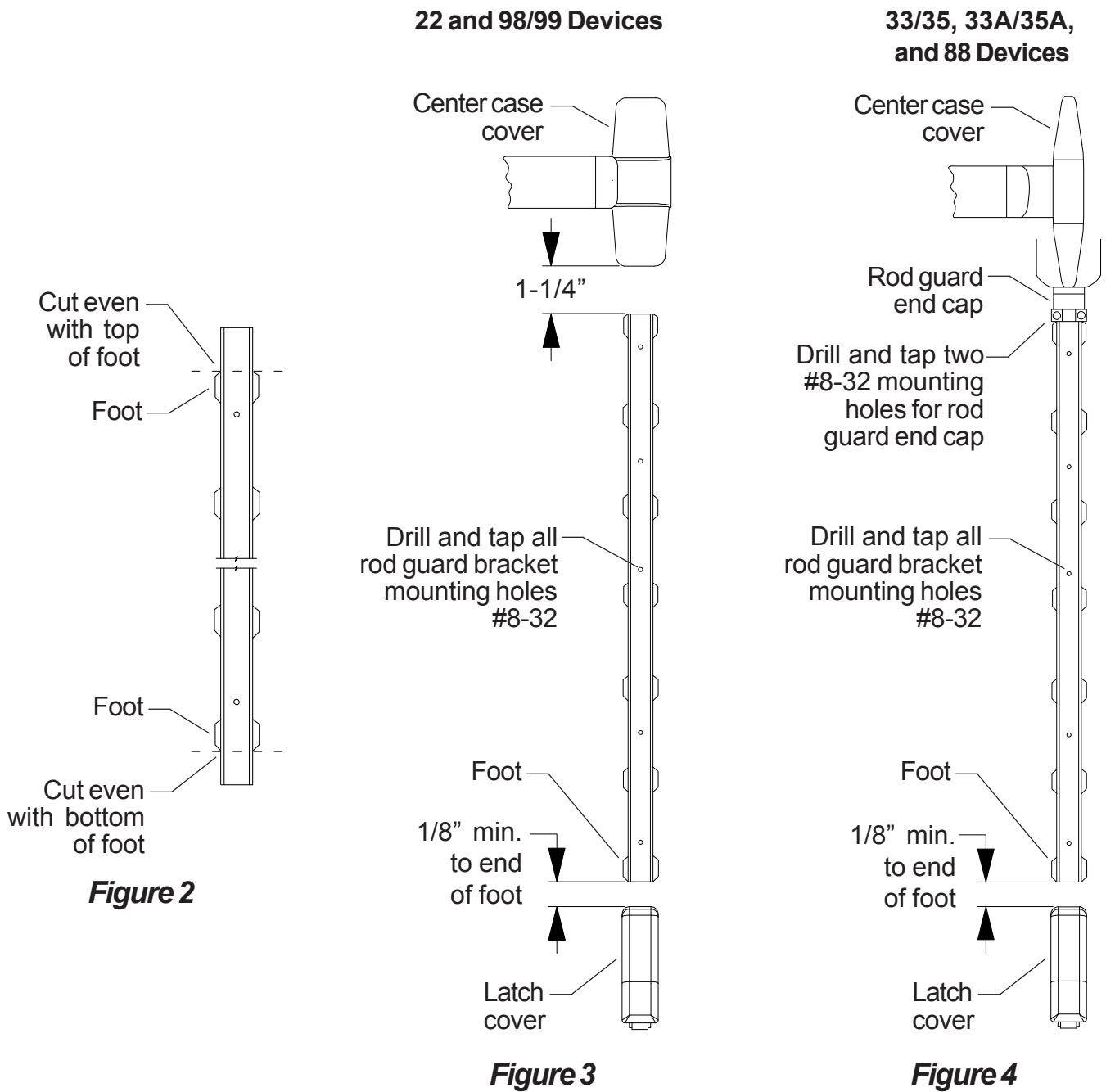
Figure 1



**Customer Service**

1-877-671-7011    [www.allegion.com/us](http://www.allegion.com/us)

- 2 Reinstall center case cover and latch cover.
- 3 Cut rod guard bracket (Figure 2) to clearances shown (Figure 3 or Figure 4).



- 4 Position rod guard bracket on door and mark all mounting holes (Figure 3 or Figure 4).
- 5 Drill and tap #8-32 mounting holes (Figure 3 or Figure 4).
- 6 Install rod guard bracket with #8-32 screws. Do not install rod guard end cap at this time.

7 Measure dimension **X** (Figure 5 or Figure 6).

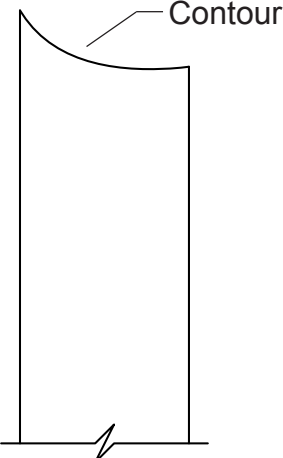
8 Cut rod guard to length:

Device	Length
22	$X - 1/16''$
33/35	$X - 1/8''$
88	<b>X</b>
98/99	$X - 1/16''$
33A/35A	$X - 1/8''$

**NOTE**

For 22 and 98/99 devices, do not cut contoured end of rod guard.

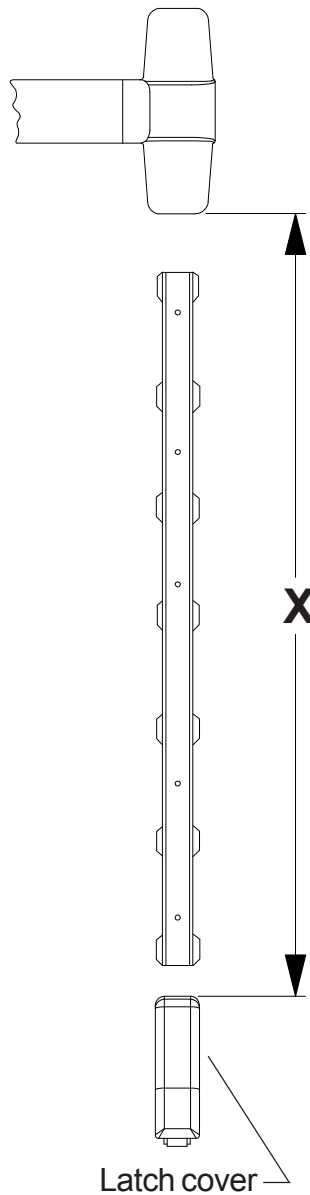
For 33/35, 33A/35A, and 88 devices, cut contoured end of rod guard.



Side view of rod guard showing contoured end

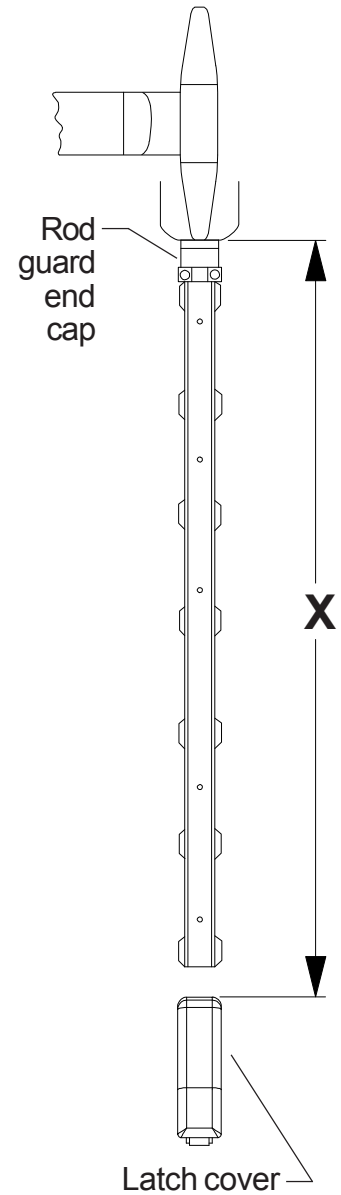
The diagram shows a side view of a rod guard with a curved top edge labeled 'Contour'. A lightning bolt symbol at the bottom indicates a break in the drawing.

**22 and 98/99 Devices**



**Figure 5**

**33/35, 33A/35A, and 88 Devices**



**Figure 6**

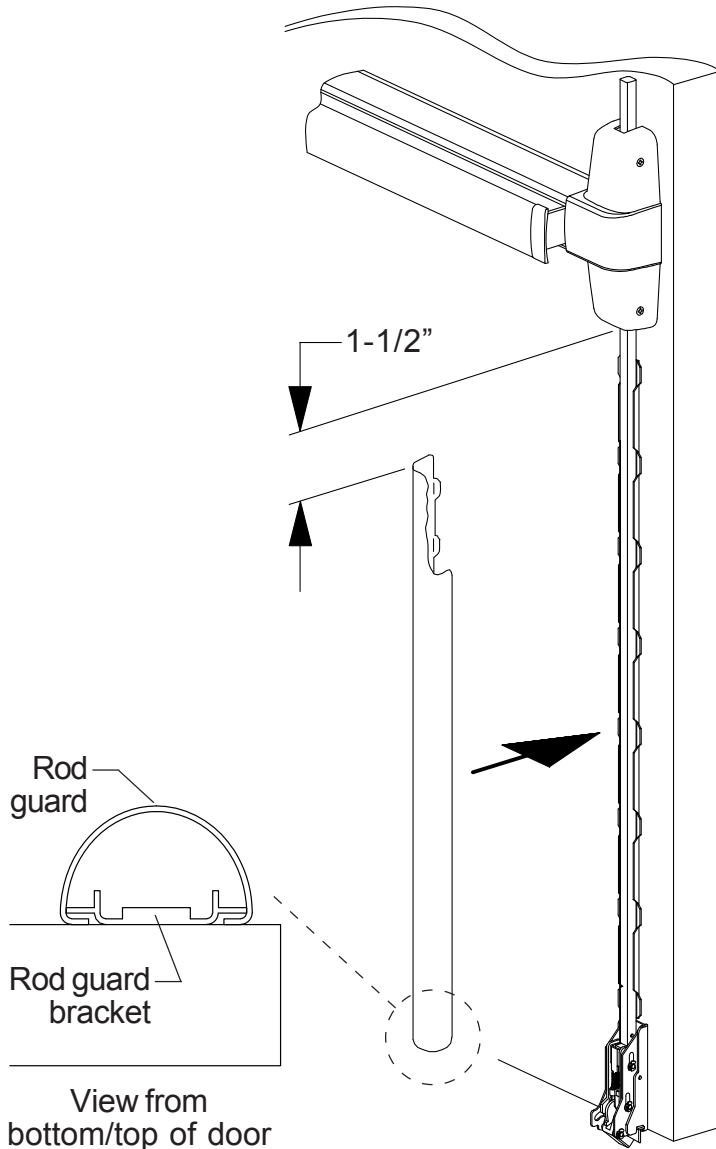
9 Remove center case cover and latch cover.

10 Reinstall rod and adjust rods per device instructions.

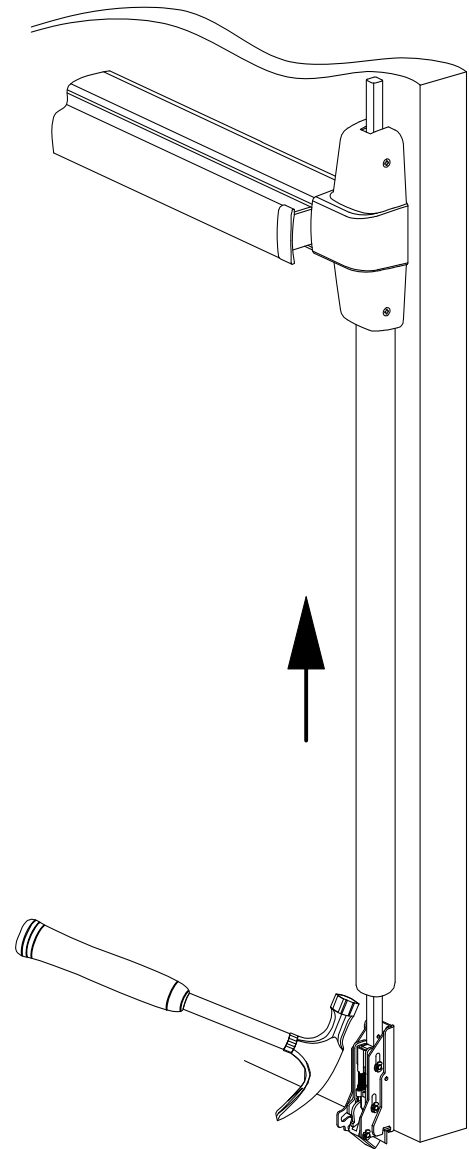
11 Reinstall center case cover. Do not reinstall latch cover at this time.

12 For 33/35, 33A/35A, and 88 devices, install rod guard end cap over rod with two #8-32 screws (Figure 6).

- 13 Place rod guard over rod guard bracket on door 1-1/2" away from center case cover with cut end of rod guard toward latch (Figure 7). Push rod guard towards device so tabs on rod guard slide under tabs on rod guard bracket.
- 14 Hold rod guard in place and tap lightly with a hammer until rod guard touches center case cover (Figure 8).
- 15 Reinstall latch cover.



**Figure 7**



**Figure 8**