



941038-00

Switch Retrofit Kit

RX/RX-LC/S1

VON DUPRIN®

Installation Instructions

This kit includes the following parts:

RX {

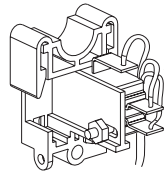
This switch is intended for signaling purposes only and is rated for a maximum 2 ampere resistive load at 24VDC/AC. Use with inductive or capacitive loads (magnetic locks or solenoid devices) derates the capacity of the switch. Consult the factory for assistance.

RX-LC {

This switch is intended for systems using low current signals. The switch is rated for a maximum of 50mA. Consult the factory for assistance.



8-18 X 3/8" Flat Head Screw (2)



Switch Assembly



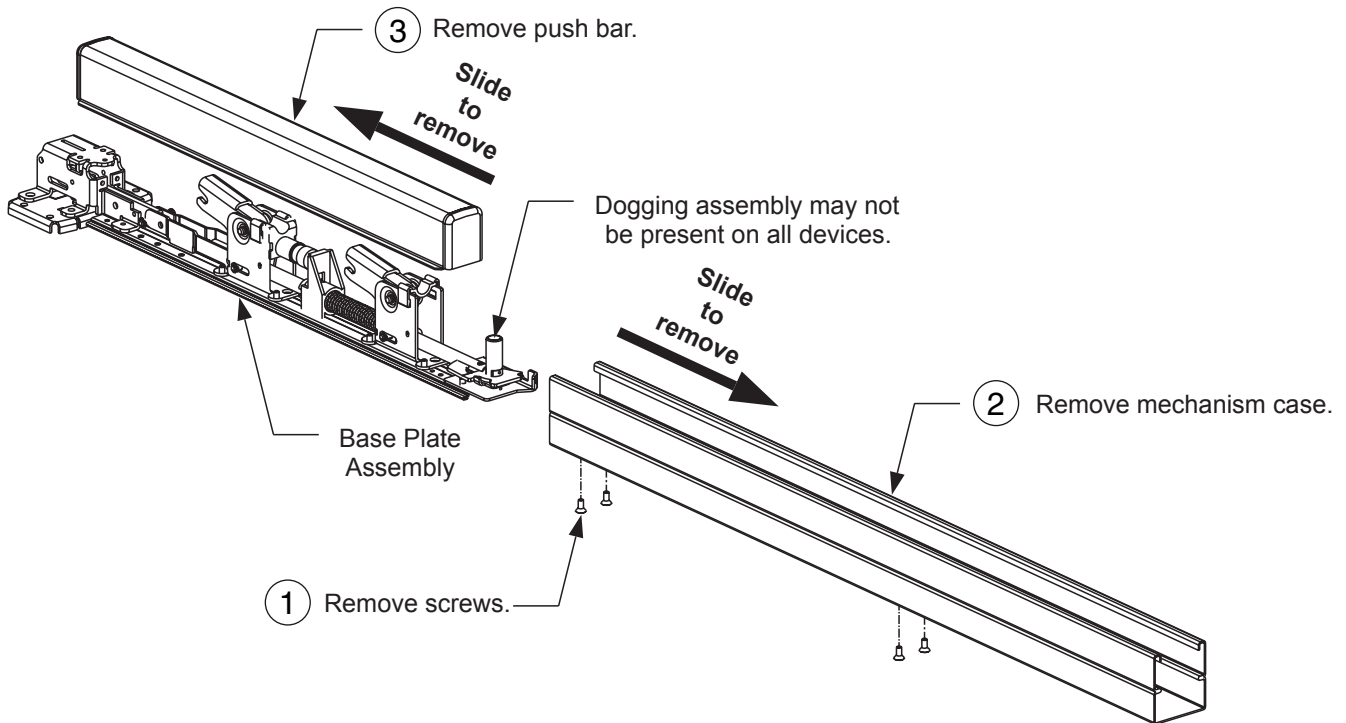
Cable Tie 1.5"



Nylon Fastener

Step 1 Disassemble the device. (Remove from door if mounted.)

22 Device



Customer Service

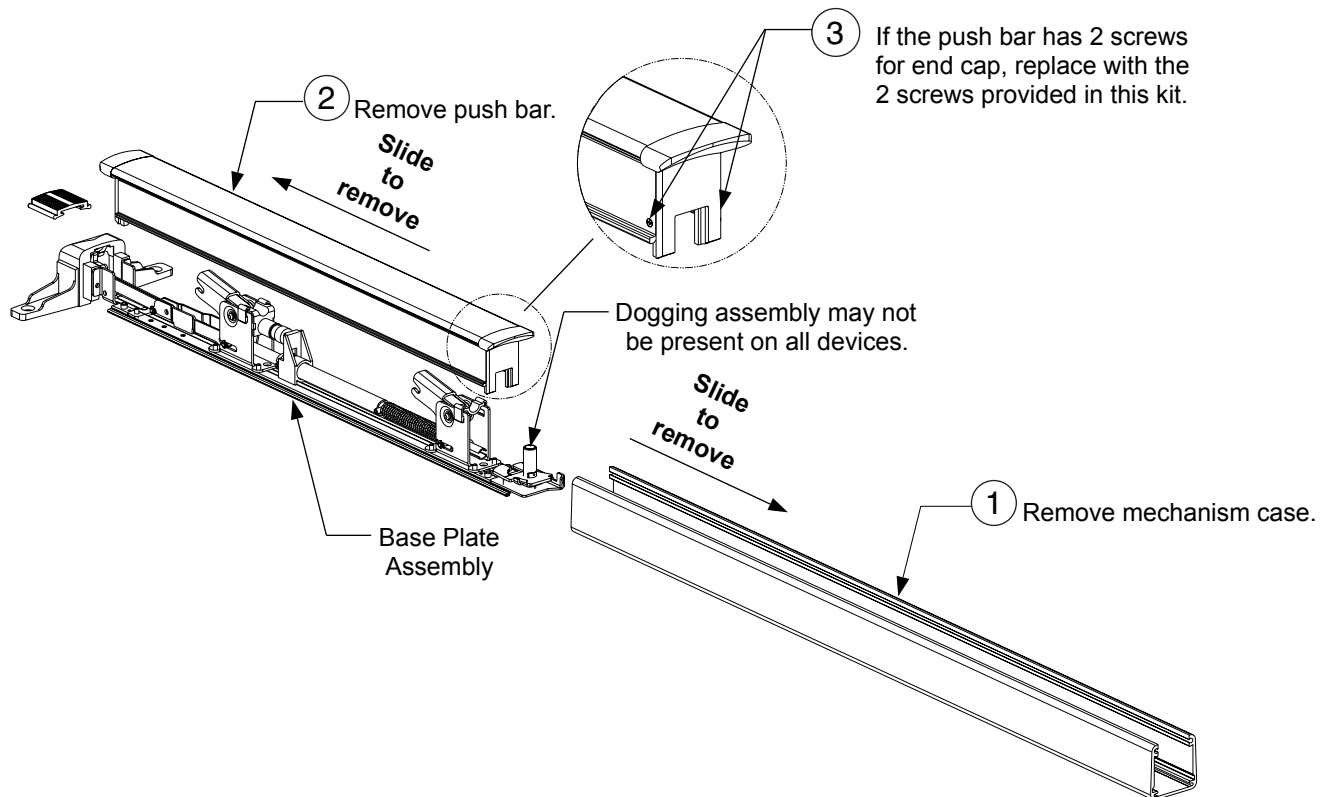
1-877-671-7011

www.allegion.com/us

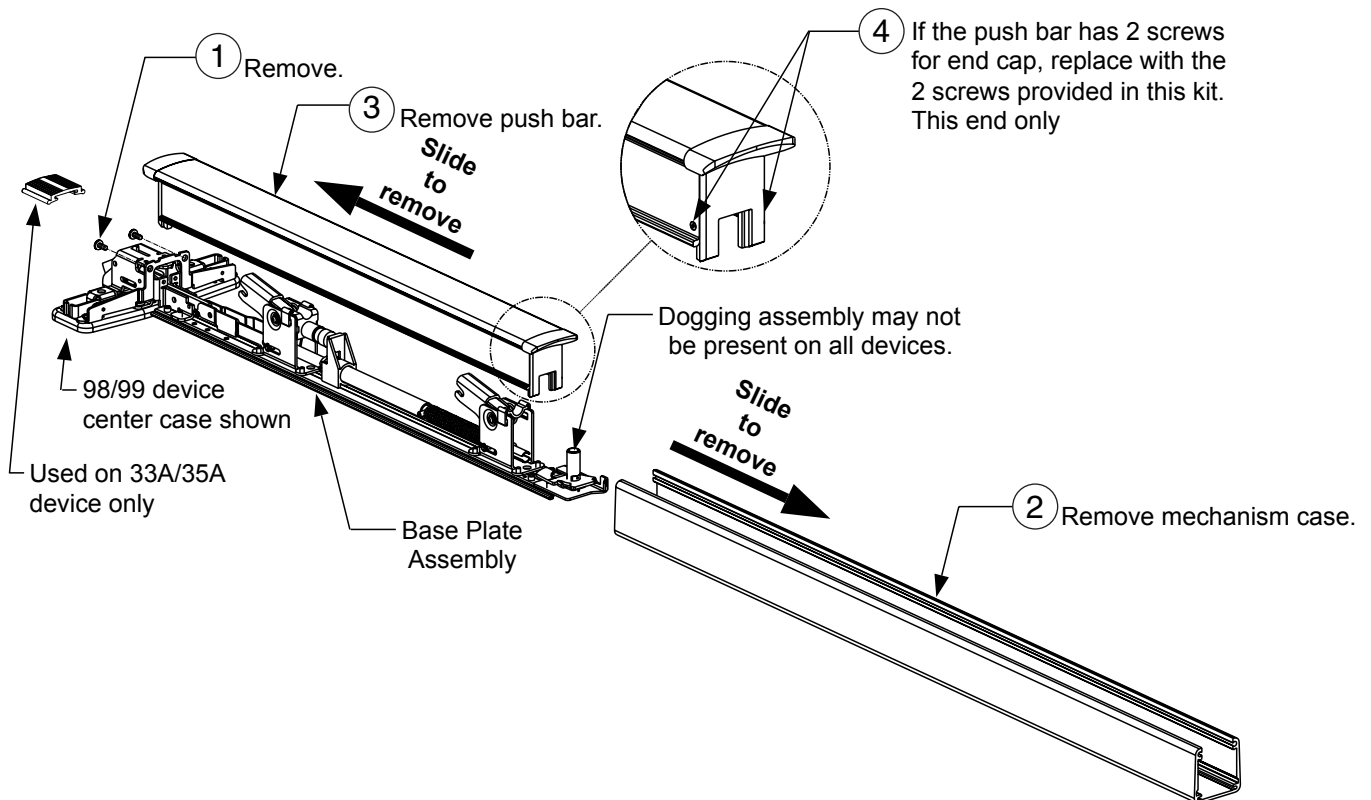
© Allegion 2014
Printed in U.S.A.
941038-00 Rev. 01/14-c

Step 1 Continued

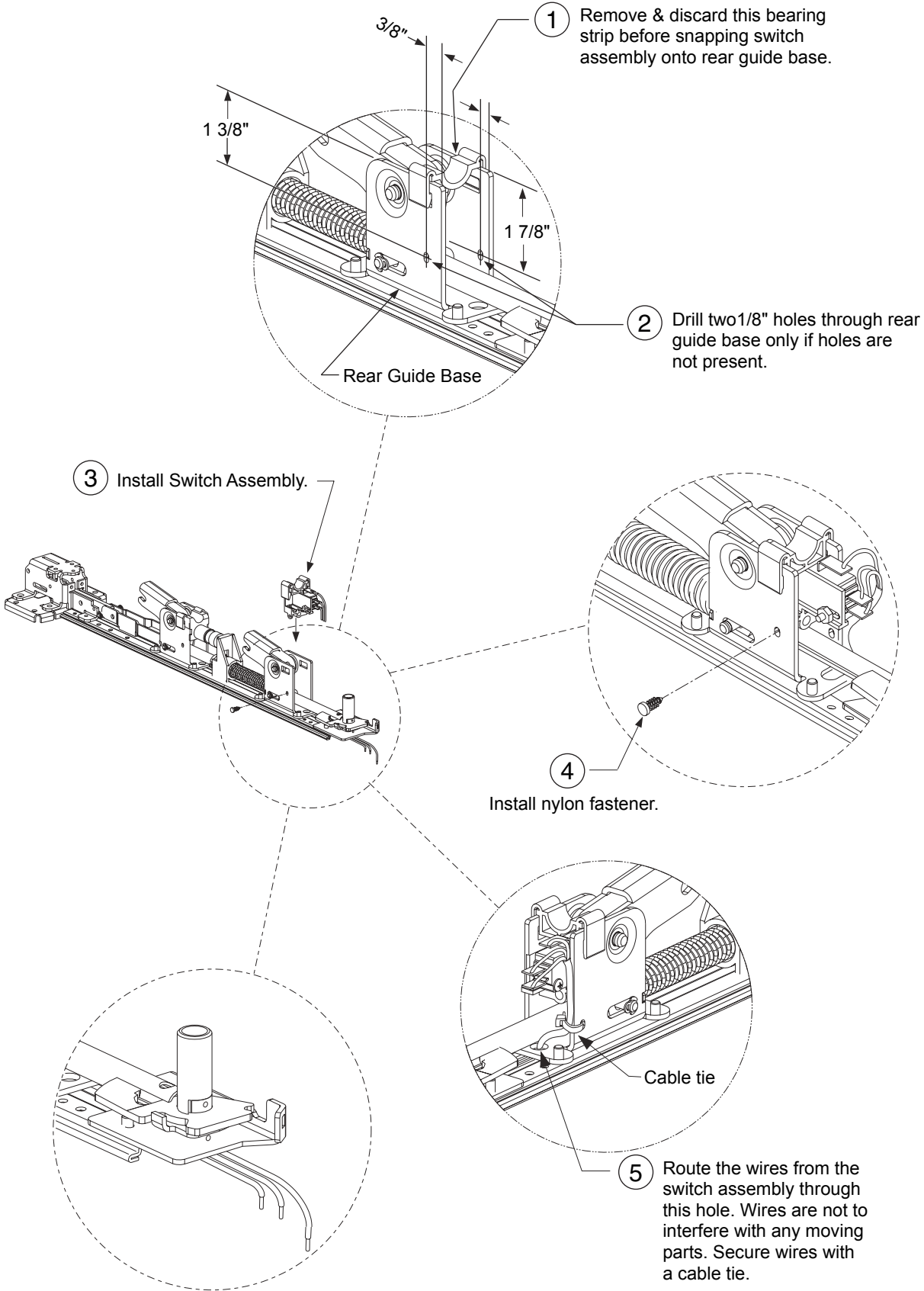
33/35 Device



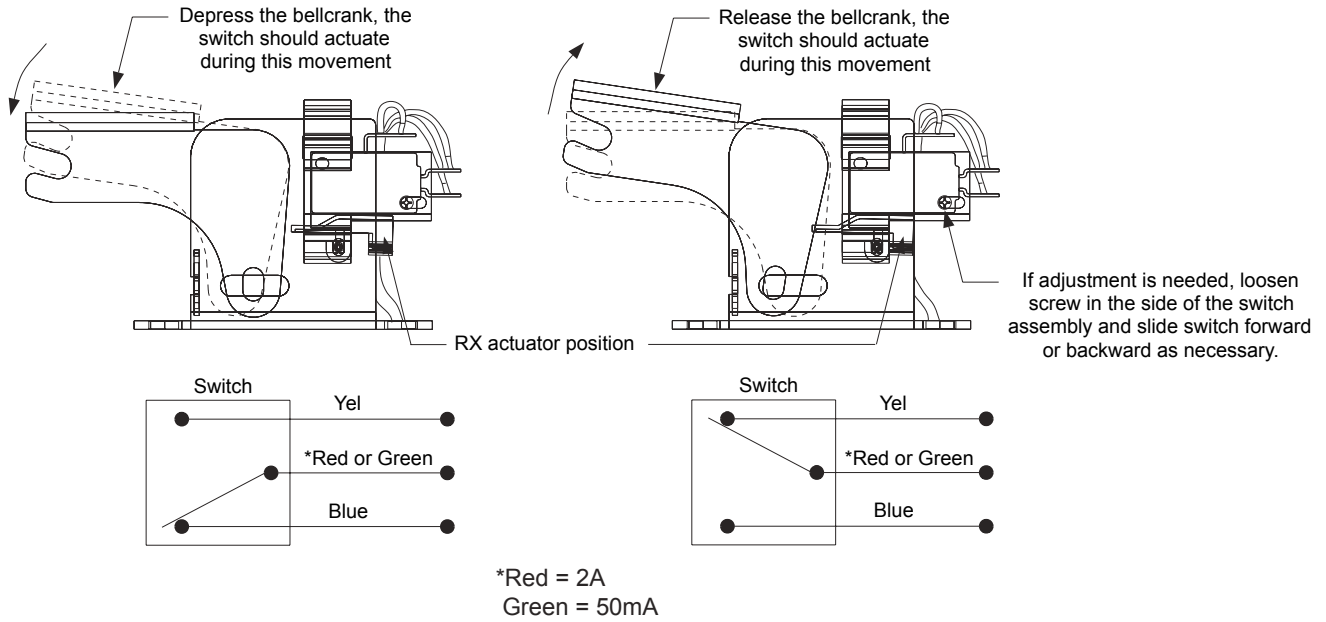
33A/35A & 98/99 Device



Step 2 Install Switch



Step 3 Check the switch for proper actuation.



Step 4 Prepare door for device wiring.

