



941089-00

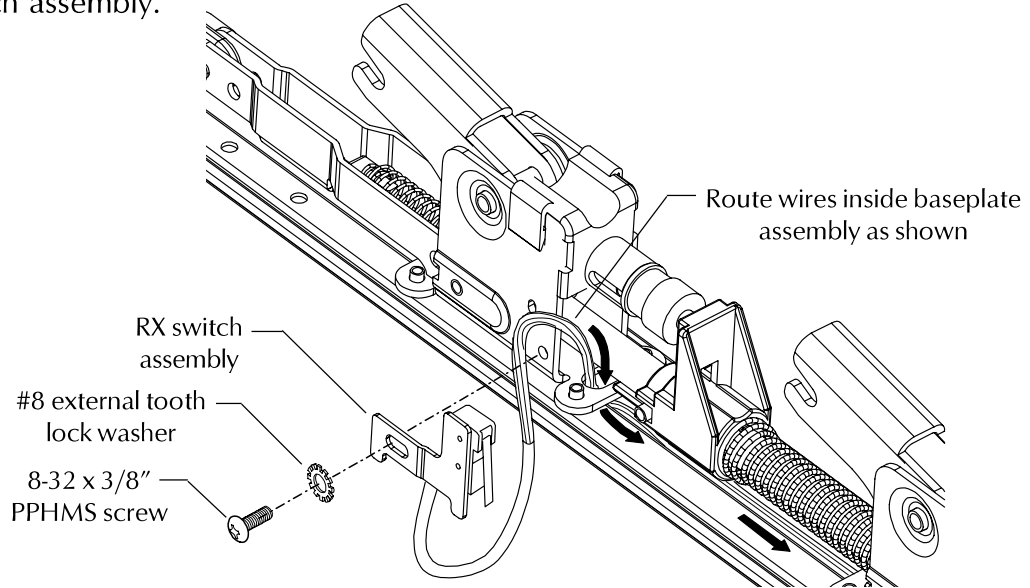
RX2

VON DUPRIN®

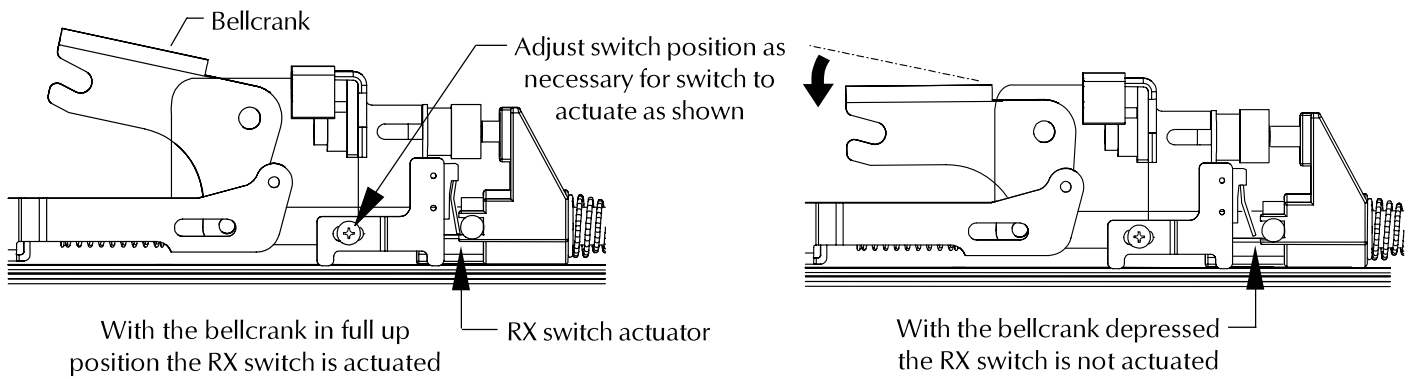
Double RX Switch

Installation Instructions

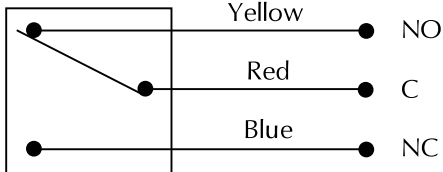
**1** Install switch assembly.



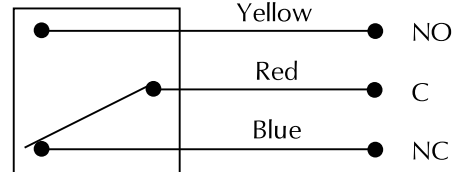
**2** Check the switch for proper actuation.



Switch shown actuated



Switch shown not actuated

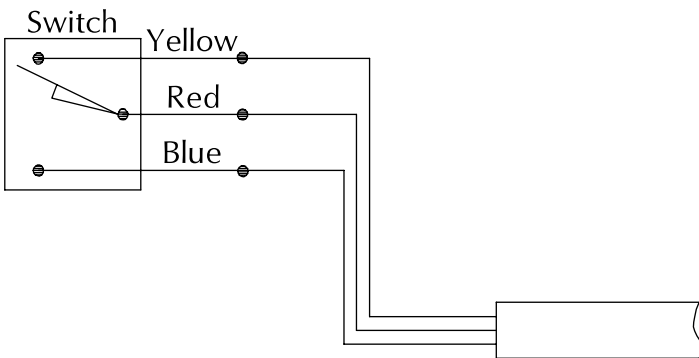


**Customer Service**

1-877-671-7011    www.allegion.com/us

# RX/S1 Switch Wiring

1. The touchbar monitor switch is activated whenever the touchbar is depressed.
2. The switch function is shown with the latchbolt extended and the touchbar not depressed.
3. The Von Duprin EPT-10 power transfer (for three wires) or EPT-2 power transfer (for two wires) is required to transfer the wiring from the door to the frame.
4. Connect the power transfer wires and switch assembly wires with crimp connectors. Unused wires should be insulated separately.



This switch is intended for signaling purposes only and is rated for a maximum 2 ampere resistive load at 24VDC/AC. Use with inductive or capacitive loads (magnetic locks or solenoid devices) derates the capacity of the switch. Consult the factory for assistance.

