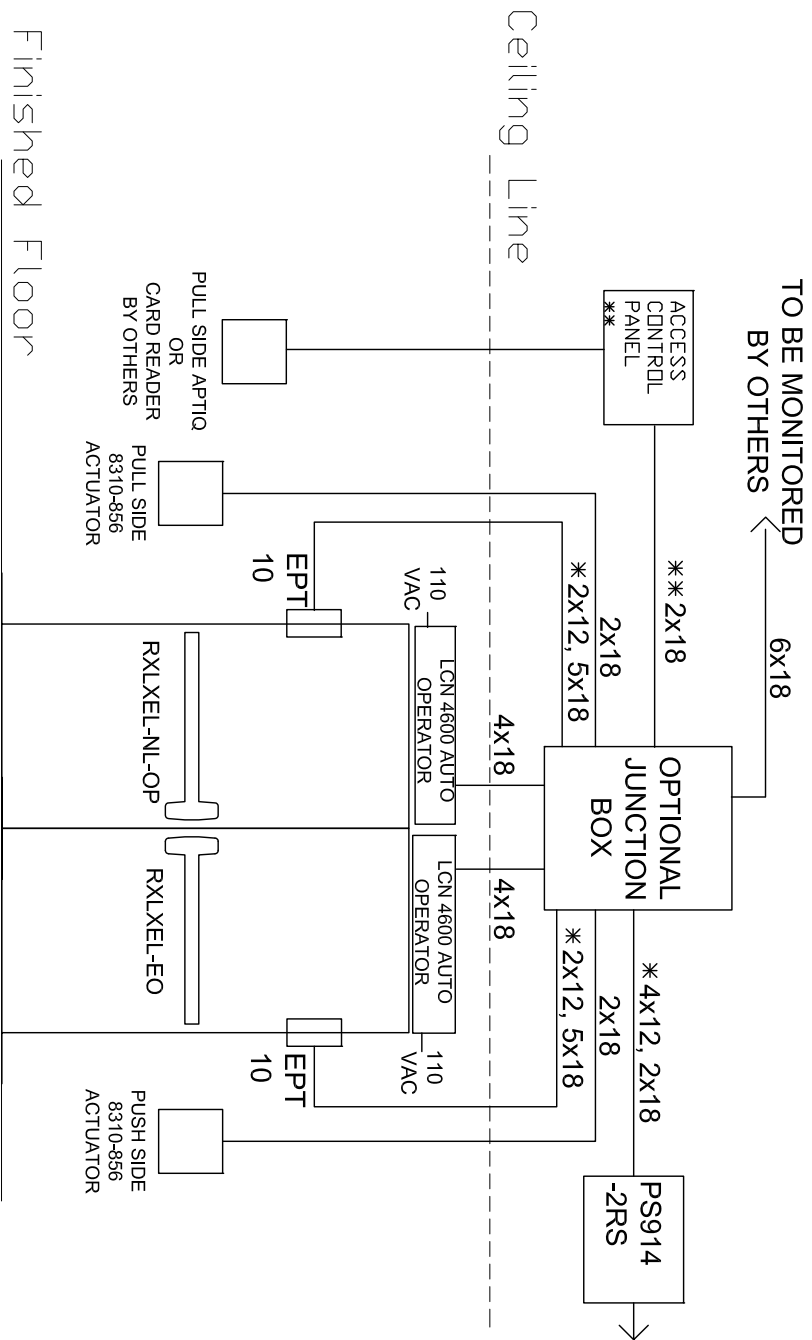


THIS DIAGRAM REPRESENTS A GENERIC CONFIGURATION. CUSTOM WIRING DIAGRAMS CAN BE ACQUIRED BY CONTACTING TECHNICAL SUPPORT.



NOTE:  
 \*USE #12 GAUGE WIRE FOR DISTANCES UP TO 200' FROM EPT TO PS914  
 \*USE #14 GAUGE WIRE FOR DISTANCES UP TO 100' FROM EPT TO PS914  
 \*\*ADDITIONAL WIRING IS REQUIRED. SEE MANUFACTURER INSTALLATION INSTRUCTION  
 OPTIONAL JUNCTION BOX IS AVAILABLE FROM VON DUPRIN AS A JB7

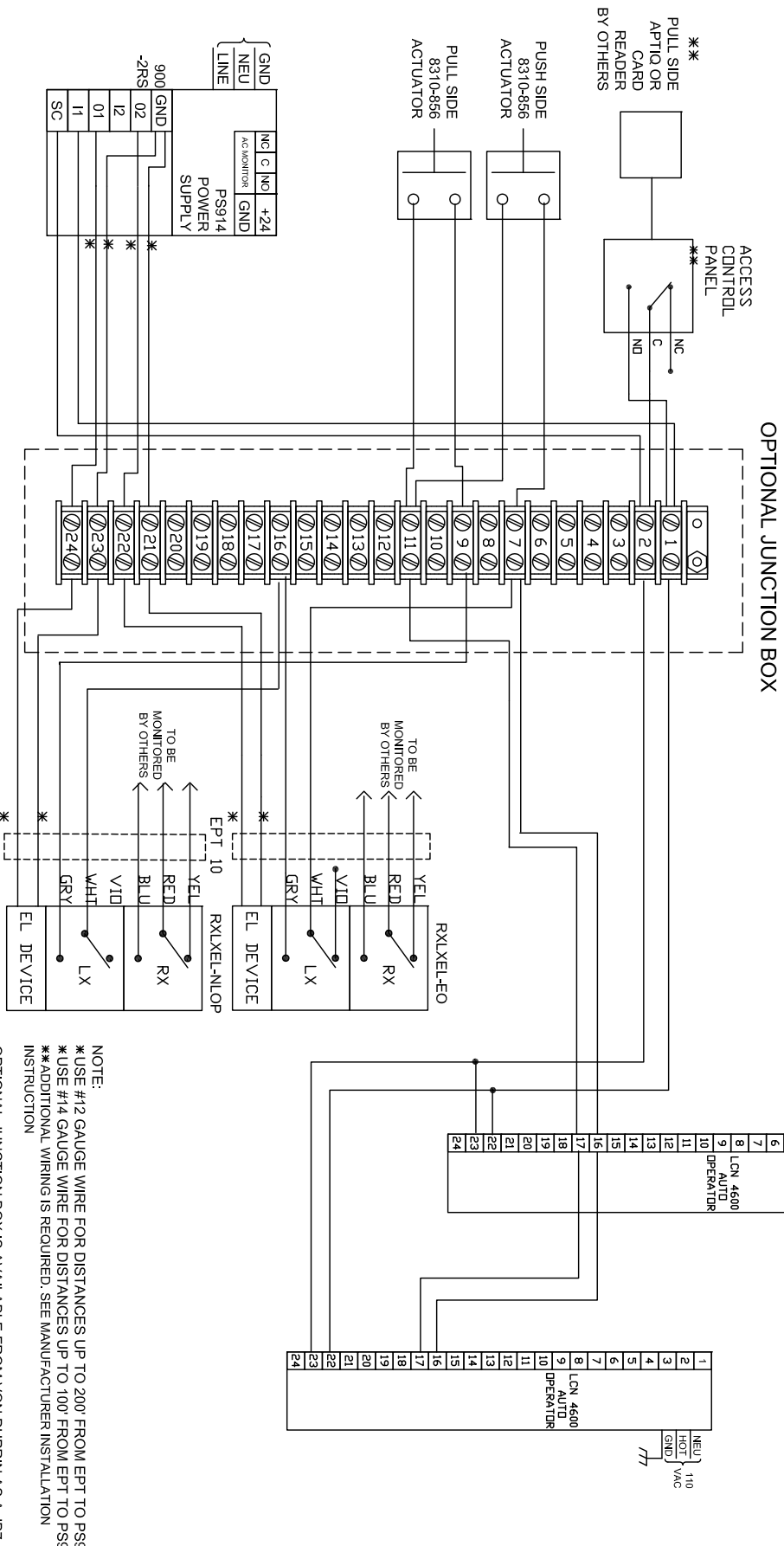
NOTES:  
 1) ALL LOW VOLTAGE WIRING TO BE STANDARD, MULTI-CONDUCTOR COLOR CODED WITHOUT SPLICES.  
 2) WIRING TO CONFORM TO APPLICABLE NATIONAL, STATE AND LOCAL ELECTRICAL CODES.  
 3) REFER TO SPECIFIC PRODUCT INSTALLATION INSTRUCTIONS FOR SPECIFIC WIRING REQUIREMENTS. OF PRODUCTS DETAILED IN THE HARDWARE SET ONLY.  
 5) ADDITIONAL WIRING WILL BE REQUIRED FROM ACP THAT IS NOT SHOWN HERE. CONSULT PROVIDER FOR DETAILS.

HARDWARE USED:	TYPE
1 RXLXEL EO PANIC	EL PANICS WITH
1 RXLXEL-NL-OP PANIC	AUTO OPERATORS
2 EPT 10	
2 8310-856 LCN ACTUATORS	
2 4600 AUTO OPERATOR	
1 APTIQ OR CARD READER BD WITH ACP BD	

OPERATION:	DATE DRAWN	REVISION	DATE
PUSH SIDE 8310-856 ACTUATOR TO RETRACT THE ELECTRIC PANIC BARS AND OPEN THE LCN 4600 AUTO OPERATORS. APTIQ OR CARD READER BY OTHERS TO SIGNAL EL LATCH RETRACTION AND ENABLE EXTERIOR 8310-856 ACTUATOR PULL SIDE 8310-856 ACTUATOR TO RETRACT THE ELECTRIC PANIC BARS WHEN ENABLED BY CARD READER AND ACCESS CONTROL PANEL REQUEST EXIT SWITCH RX TO BE MONITORED BY OTHERS.	3-26-13	3-26-13	3-26-13

		TITLE:	RXLXEL PAIR WITH LCN 4600 AD AND PS914-2RS
		DRAWING TYPE:	
DWG NO.:	109463	DRAWN/ENGINEERED BY:	B DDVE/D BILLENGIER
REV:	A		

THIS DIAGRAM REPRESENTS A GENERIC CONFIGURATION. CUSTOM WIRING DIAGRAMS CAN BE ACQUIRED BY CONTACTING TECHNICAL SUPPORT.



NOTE:  
 \* USE #12 GAUGE WIRE FOR DISTANCES UP TO 200' FROM EPT TO PS914  
 \* USE #14 GAUGE WIRE FOR DISTANCES UP TO 100' FROM EPT TO PS914  
 \*\* ADDITIONAL WIRING IS REQUIRED. SEE MANUFACTURER INSTALLATION INSTRUCTION  
 OPTIONAL JUNCTION BOX IS AVAILABLE FROM VON DUPRIN AS A JB7

NOTES:  
 1) ALL LOW VOLTAGE WIRING TO BE STANDARD, MULTI-CONDUCTOR COLOR CODED WITHOUT SPLICES.  
 2) WIRING TO CONFORM TO APPLICABLE NATIONAL, STATE AND LOCAL ELECTRICAL CODES.  
 3) REFER TO SPECIFIC PRODUCT INSTALLATION INSTRUCTIONS FOR SPECIFIC WIRING REQUIREMENTS.  
 4) THIS DRAWING IS FOR GRAPHICAL REPRESENTATION OF PRODUCTS DETAILED IN THE HARDWARE SET ONLY. THAT IS NOT SHOWN HERE. CONSULT PROVIDER FOR DETAILS.

HARDWARE USED:

1	RXLXEL ED PANIC
1	RXLXEL-NL-OP PANIC
2	EPT 10
2	8310-856 LCN ACTUATORS
2	4600 AUTO OPERATOR
1	APT10 DR CARD READER BD WITH ACP BD

TYPE: PAIR EL PANICS WITH AUTO OPERATOR

OPERATION:  
 PUSH SIDE 8310-856 ACTUATOR TO RETRACT THE ELECTRIC PANIC BARS AND OPEN THE LCN 4600 AUTO OPERATOR.  
 APT10 OR CARD READER BY OTHERS TO SIGNAL EL LATCH RETRACTION AND ENABLE EXTERIOR 8310-856 ACTUATOR.  
 PULL SIDE 8310-856 ACTUATOR TO RETRACT THE ELECTRIC PANIC BARS WHEN ENABLED BY CARD READER AND ACCESS CONTROL PANEL.  
 REQUEST EXT SWITCH RX TO BE MONITORED BY OTHERS.

DATE DRAWN: 3-26-13  
 REVISION DATE: 3-26-13  
 copyright 2013

ALLEGION™

TYPE: RXEL PAIR WITH LCN 4600 AD AND PS914-2RS

DWG NO: 109463  
 DRAWING CHECKED BY: B DOLLENGER  
 REV: A