



ALLEGION™

Suiting guide

Featuring M Collection decorative levers
for Schlage® and Von Duprin®





This is artistry, consistency and quality.

These are the M Collection decorative levers.

Door hardware is both a functional component and an architectural element. All the more reason to select durable door hardware that can be suited across the breadth of a facility—all the more reason to select Schlage and Von Duprin.

These names stand for something significant. They mean our customers trust us to deliver security, strength and quality. So whenever we create something new, we make sure it will live up to the very highest standards.

These levers are packed with style and durability. They are constructed of solid

brass or solid stainless steel for a strong-yet-comfortable feel. They also feature bi-directional, independent movement allowing upward and downward motion without disrupting the opposite side of the door.

Our expanded lineup of levers means you get more choices than ever before. And because they are compatible with our mortise lock and various exit devices, artistry, consistency and quality is effectively maintained throughout a room, a floor or an entire facility.

A multitude of choices. For every opening.



M51



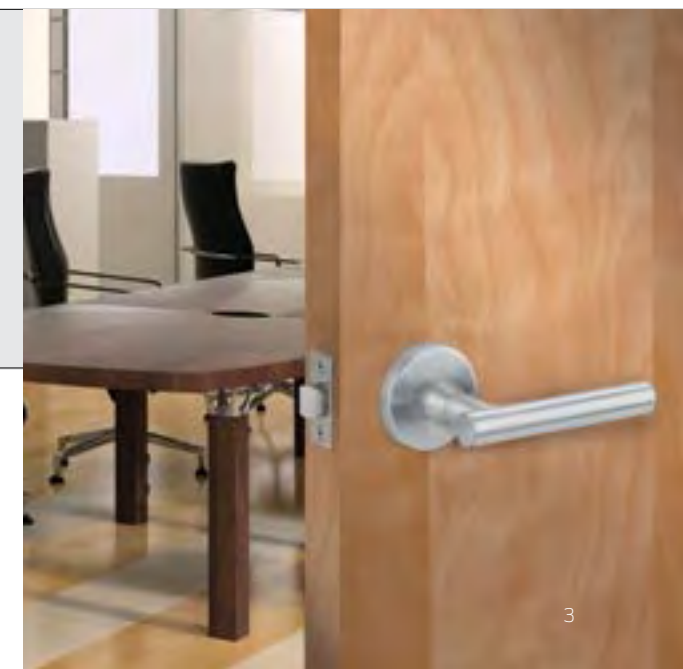
M54



M61



M85



Decorative levers

The M Collection

A range of options. A single standard of quality.

Introducing the M Collection, an entire lineup of decorative levers designed to maintain a custom high-style look on doors throughout any building—from the main entrance to the supply closet. The ability to suite M Collection levers across multiple platforms from Schlage and Von Duprin means consistent style and functionality—along with unrivaled security.

The M Collection was designed to function as a visual extension of any interior, from contemporary to classic.

Finish options								
Color	Bright brass	Satin brass	Satin nickel	Bright chrome	Satin chrome	Bright stainless steel	Satin stainless steel	Aged bronze
US Number	605	606	619	625	626/626AM	629	630/630AM	643
BHMA Number	US3	US4	US15	US26	US26D	US32	US32D	US11

AM = Antimicrobial.
See pricebook for additional trim and finish availability. 33A, 95 & 99 devices not available in 619 & 630 finishes.

M51

M52

M53 Available 2014

M54

M55 Available 2014

M56

M57 Available 2014

M61

M62 Available 2014

M63

M81

M82 Available 2014

M83

M84

M85

All 15 of the M Collection designs can be paired with any of the following commercial graded products for suiting across an office, a floor or an entire building.

Locks



Schlage L Series mortise locks
Grade 1

Schlage L Series locks have long been the industry standard for mortise locks, with a comprehensive offering of functions and options to support any opening need.



Schlage LT Series tubular locks
Grade 2

The perfect compliment to the Schlage L Series or the Von Duprin exit devices, the LT Series Tubular chassis is based on venerable L Series mortise lock and provides an alternative to lever suiting for interior doors.

Exit devices



Von Duprin 98/99 exit devices
Grade 1

Von Duprin created the first exit device in 1908, and continues to redefine the industry today with unsurpassed quality and industry-unique features such as concealed vertical cables. The 98/99 Series exit device is intended for standard-stile doors.



Von Duprin 33A/35A exit devices
Grade 1

Offering the same innovate features as the 98/99 Series, the 33A/35A Series of exit devices is intended for narrow-stile doors.



Von Duprin 94/95 exit devices
Grade 1


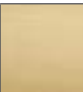
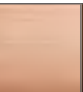
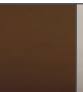

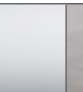

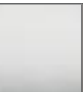

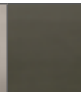
The 94/95 has the pushbar trim recessed into the door to minimize the external profile, allowing more room for people and equipment to pass through.

Standard levers

The Standard Collection


Built on our tradition of raising industry standards.

Like the M Collection, these levers can be paired with exit devices and locks from our trusted Schlage and Von Duprin brands. And, they are built to the same exacting standards. Our Standard Collection levers offer a more traditional style that is appropriate for use in a number of commercial applications.

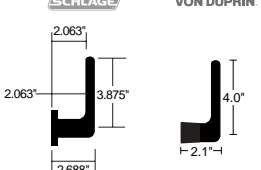
Finish options										
Color	Bright brass	Satin brass	Satin bronze	Oil rubbed Bronze	Satin nickel	Bright chrome	Satin chrome	Bright stainless steel	Satin stainless steel	Aged bronze
BHMA Number	605	606	612	613	619	625	626/626AM	629	630/630AM	643
US Number	US3	US4	US10	US10B	US15	US26	US26D	US32	US32D	US11

AM = Antimicrobial.
See pricebook for additional trim and finish availability. 33A, 95 & 99 devices not available in 619 & 630 finishes.


01
♿




SCHLAGE



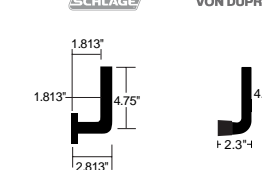
VON DUPRIN




02
♿




SCHLAGE



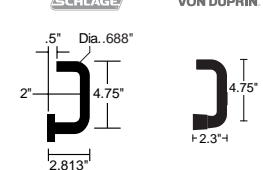
VON DUPRIN




03
♿




SCHLAGE



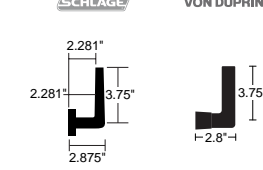
VON DUPRIN




05
♿




SCHLAGE



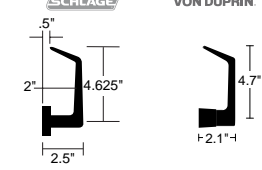
VON DUPRIN




06
♿




SCHLAGE



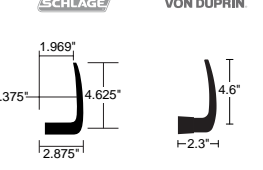
VON DUPRIN




07
♿



SCHLAGE



VON DUPRIN



12
♿



SCHLAGE



VON DUPRIN



17
♿



SCHLAGE



VON DUPRIN



18
♿



SCHLAGE



VON DUPRIN



Accent
♿



SCHLAGE



VON DUPRIN



Asti
♿



SCHLAGE



VON DUPRIN



Latitude
♿



SCHLAGE



VON DUPRIN



Longitude
♿



SCHLAGE



VON DUPRIN



Merano
♿



SCHLAGE



VON DUPRIN



Omega
♿




SCHLAGE



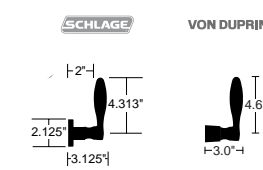
VON DUPRIN




St Annes
♿



SCHLAGE



VON DUPRIN



To learn more about suiting of Schlage and Von Duprin products with our decorative or standard levers contact your security consultant or visit allegion.com/us.

About Allegion

Allegion (NYSE: ALLE) helps keep people safe where they live, work and visit. Allegion is pioneering safety as a provider of security solutions for homes and businesses through 23 global brands. Allegion specializes in security around the doorway and beyond: everything from residential and commercial locks, door closers and exit devices, steel doors and frames, to access control and workforce productivity systems. Allegion is a \$2 billion business employing more than 7,600 people and offering products in more than 120 countries across the world.

Allegion's portfolio includes strategic brands CISA®, Interflex®, LCN®, Schlage® and Von Duprin®, and other brands including aptiQ®, Briton™, Bricard®, Dalco™, Dexter by Schlage®, Falcon®, Fusion Hardware Group™, Glynn-Johnson®, ITO Kilit™, Ives®, Kryptonite®, Legge®, Martin Roberts™, Normbau™, Randi™, Steelcraft®, XceedID®

For more, visit allegion.com

aptiQ ■ LCN ■  ■ STEELCRAFT ■ VON DUPRIN