

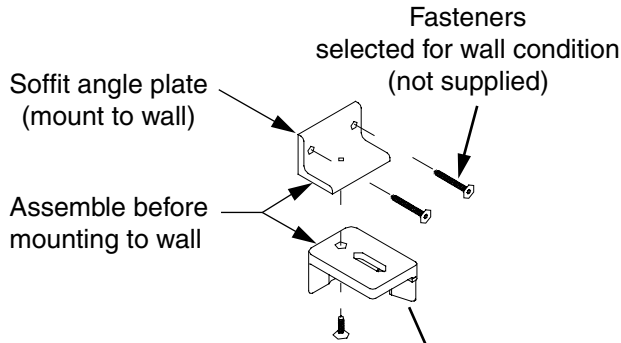


941064-00

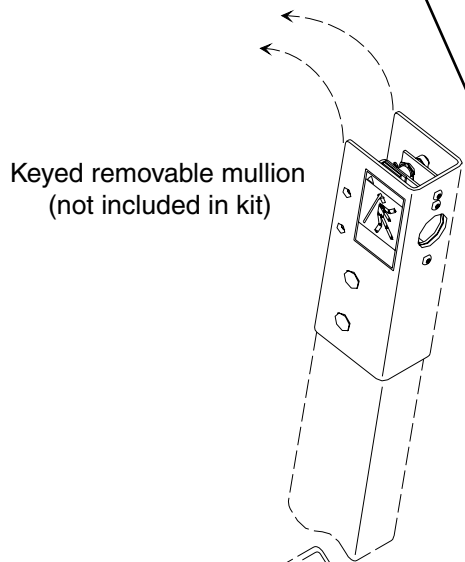
Wall Mounted Mullion Storage Kit

VON DUPRIN

Installation Instructions



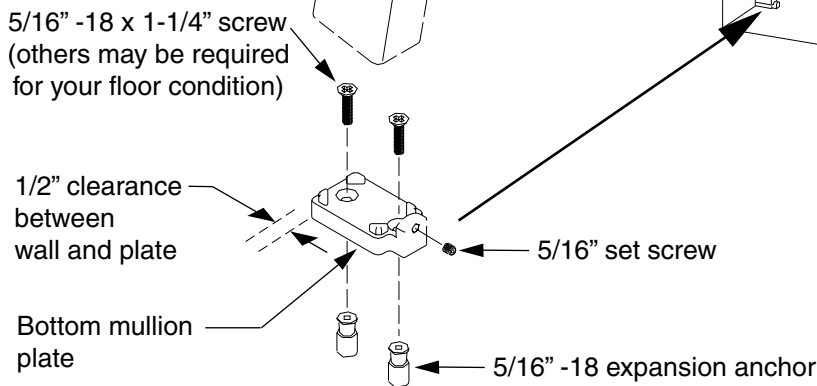
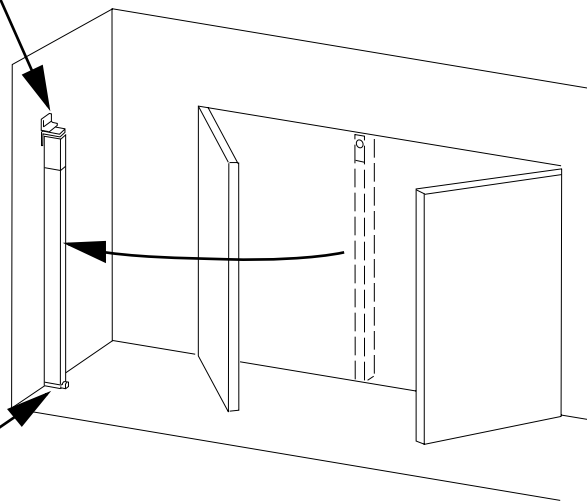
- Kit includes:**
- Top mullion plate
 - Soffit angle plate
 - 1/4"-20 x 5/8" pan slotted head machine screws (2)
 - 14 x 1" phillips pan head sheet metal screws (2)
 - Bottom mullion plate
 - 5/16"-18 expansion anchors (2)
 - 5/16"-18 x 1-1/4" flat phillips head machine screws (2)
 - 5/16" x 1/2" set screw (1)



Installation:

Note: To keep unit out of traffic area, unit should be located behind a door, in a recessed area, or inside corner as shown below.

1. Mount bottom mullion plate 1/2" from wall.
2. Using mullion, locate mounting height of top mullion plate and soffit angle plate.
3. Mount components to wall as shown.



Customer Service

1-877-671-7011 www.allegion.com/us