

Trilogy® T2 Digital Lock with **LocDown™** Features: Keyfob-Activation & Lockdown Indicator Bar Inside

DL2700LD Series – New! Ideal for School & Campus Security:
Features Lockdown Indicator & Includes Compact Lockdown Keyfob



Bright visual lockdown indicator bar on inner door confirms security activation to occupants



For More on Alarm Lock's Tiered School Security Solutions and to Find Out How Safe Your School is, see S.A.V.I. evaluator www.savischool.com

At the first sign of trouble, faculty & staff can remotely press their pocket-sized keyfob's button to lock out unauthorized access, instantly locking-down a classroom or area, while remaining safely within the room. (Keyfob activation up to 100' away, depending on building construction.) For multi-classroom users, up to 50 keyfobs can be supported on each lock and each keyfob can control up to four locks.

With Trilogy's lockdown function, only users with a security level of Master or Manager are allowed access and can unlock the lock. All other basic user codes are denied access during emergency lock down. Instantly, a lock-down override code, however, will reactivate the pushbutton keypad and enable authorized teachers/staff and first responders, outside the classroom, to readily deactivate the lockout function at any time. (All master and management codes retain access to Trilogy-protected areas.)

- **Lockdown up to four locks with one compact remote keyfob** – Pocket-sized, just over 2" (one included with DL2700LD)
- **Bright visual lockdown indicator bar on inner door** confirms security activation to occupants; Outside small indicator light flashes and/or optionally beeps when in lockdown
- **Grade 1 Durability.** Grade 1 Lockset, rugged all metal keypad
- **Up to 100 different user codes** (3-5 digits). Master, manager and emergency, plus 3 service codes
- **100% fingertip programmable, easy installation in less than an hour** (Modified ANSI 115 Prep simply retrofits standard locksets.)
- **Individual, group or total user code** enable/disable. Passage mode, too
- **Long-life battery operated;** uses 5 standard AA batteries
- **Non-handed** for easy installation and versatility
- **"W" Weatherproof** Models available for exterior use, -31°F to +151°F (-35°C to +66°C)



Lockdown up to four locks with one compact remote keyfob (Actual size)



ALARM LOCK

REMOTE KEYFOB FOR LOCKDOWN: 4-Button Keyfob (2 3/8" x 1 1/4" x 1/2"), controls up to 4 locks and uses replaceable battery. One included with DL2700LD Lock; up to 50 can be supported on each lock. Additional keyfobs, order part no. **RR-4KEYFOB**. Portable keyfob range up to 100', depending on building construction constraints.

INDICATORS: Activating LocDown mode via keyfob illuminates a large, red super-bright indicator bar on lock back, & red indicator light, on front. Additional, audible lock-down indicator tone is a programmable option. Routine momentary green visual/audible entry indicator activated with authorized lock usage; visual indicator warns of low battery condition.

OPERATION: Clutch mechanism permits turning lever without retracting latch and reduces stress on lock bodies and spindle. Outside lever free turning in locked position. Entering access code, key bypass, or remote bypass will allow lever to retract latch. Inside lever always instant egress.

DOOR THICKNESS: 1 5/8" to 1 7/8." Other thicknesses. Please consult Alarm Lock.

BACKSET: 2 3/4" Standard. 2 3/8" backset also available.

KEYPAD: All metal, 12 button programmable for multi-level access functions including group or individual user codes, master and management codes, passage and emergency or service codes, lockout and remote override capability and allowable entry time from 5 to 20 seconds. 4 Different keypad tones and keypad may be silenced.

STANDARD KEY OVERRIDE CYLINDERS: Solid brass 6 pin tumbler cylinder pinned 5, SC1 keyway, furnished in all locks. Additional tailpieces included: HW580 fits Schlage®, Corbin/ Russwin® CL, Sargent® 480 Series, ASSA®65-611. Model HW620 fits Ilco® and Lori® cylinders.

INTERCHANGEABLE CORE MODELS: Accepts 6 & 7 Pin Cylinders from: Best®, Arrow®, KSP®, Medeco Keymark® & Kaba Peaks®. Also available IC Core models for Yale®, Medeco®, Sargent, Corbin/ Russwin CL and Schlage. Alarm Lock Tailpiece is supplied; IC Core is not included.

LATCHBOLT: UL Listed, fire rated, 3 hours, 1/2" throw, solid brass, deadlocking. Reversible. Adjustable front for flat or beveled doors.

STRIKE: 1 1/8" x 2 3/4" T strike & 1 1/4" x 4 7/8" ASA strike included. With screws for wood or metal jambs.

LATCH FRONT: 1 1/8" x 2 1/4" wrought brass or stainless steel.

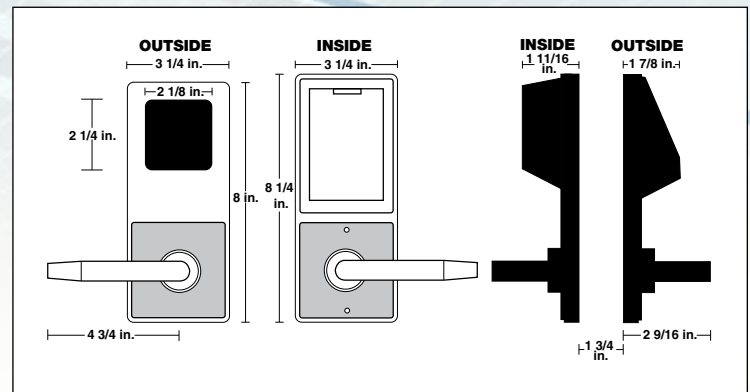
HANDING: Non-handed.

FINISHES: US3 polished brass, US26D satin chrome, 10B duronodic.

POWER: 5 AA alkaline batteries (supplied), provide up to 5 years long battery life &/or approximately 75,000 cycles, typ., engaging Trilogy's unique Flex Drive™ motor, depending on actual lock usage. Audible low battery alert.

DOOR PREP: Standard ANSI A115 Series Prep, modified by adding additional through-bolt holes. Cleanly, simply retrofits standard locksets.

COMPLIANCES: Grade 1, heavy duty cylindrical lockset, UL listed and FCC certified. ADA compliant leversets.



DL 27 00 W LD IC 26D Y

Model & Series: DL27 = Trilogy T2 Series


Trim: 00 = Lever
75 = Regal Trim Lever

Exterior / Interior Use: W = Weatherproof for exterior use
(Note: No "W" indicates standard, interior use.)

Lockdown Feature: LD = Standard Interchangeable Core Prep for Best, Falcon, Arrow, KSP
(Note: No "IC" indicates standard K.O. cylinder.)

Finish: 3 = US3 Polished Brass
26D = US26D Satin Chrome
10B = Duronodic

Special Order IC Prep: -Y = Yale
-M = Medeco
-R = Sargent
-C = Corbin/Russwin
-S = Schlage




ALARM LOCK

Alarm Lock Systems, LLC (A Division of NAPCO Security Technologies, Inc.)

333 Bayview Ave, Amityville, New York 11701
1-800-ALA-LOCK • ++ 631.842.9400 • Fax 631-789-3383
www.alarmlock.com • salesinfo@alarmlock.com

Trilogy and LocDown are trademarks of NAPCO Security Technologies. Other trademarks listed are those of their respective companies. Preliminary specifications subject to change without prior notice. © 2015.11 ALA506