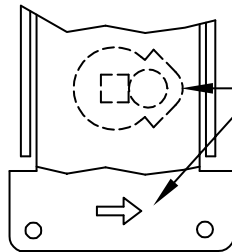
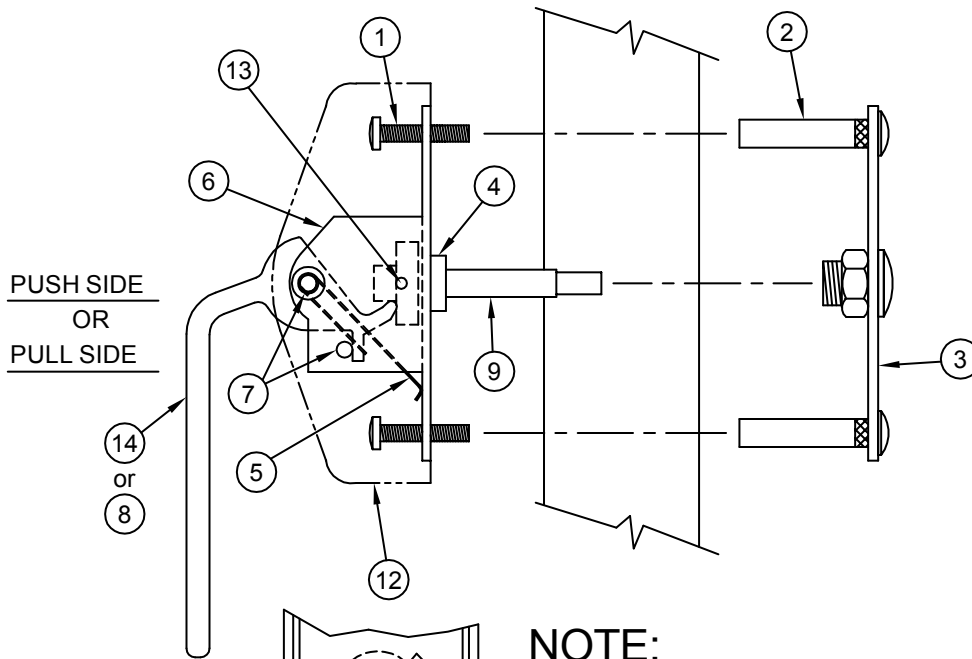
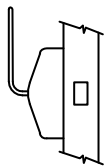


# 6040 EXIT ONLY PUSH/PULL LATCH

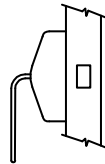


**NOTE:**  
BEFORE MOUNTING PUSH OR PULL HANDLE,  
CAM PIN MUST BE ROTATED TOWARD SIDE  
INDICATED BY ARROW STAMPED ON BASE

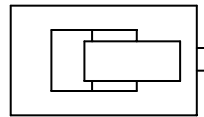
PUSH SIDE SHOWN FOR EXAMPLE



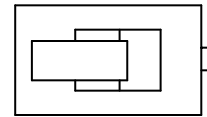
LEVER  
UP



LEVER  
DOWN



LEVER  
HORIZONTAL  
WITH 7"  
BACKSET



LEVER  
HORIZONTAL  
WITH 5" OR 7"  
BACKSET

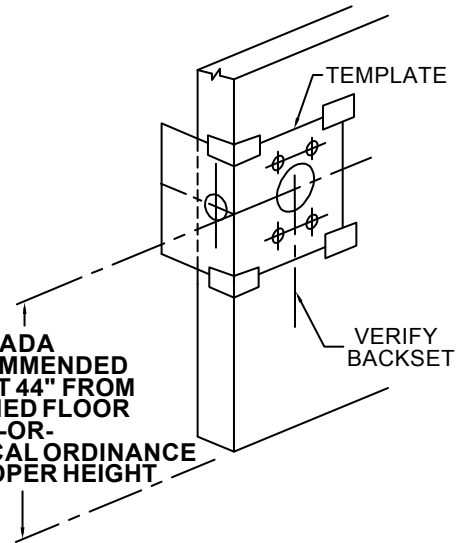
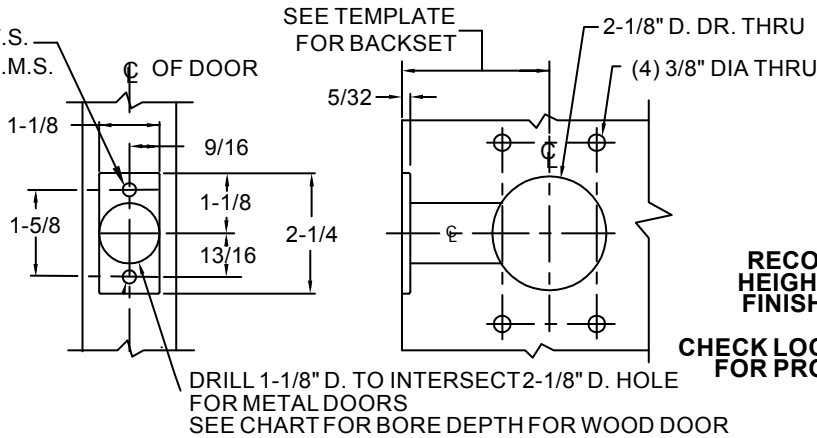
ITEM	QTY	PART	ITEM	QTY	PART
1	4	10-32 X 1-1/2" PAN HD M.S.	9	1	CAM ASSEMBLY (MALE)
2	4	10-32 X 1", 5/16 O.D. SEX BOLT	10		
3	1	EXIT ONLY PLATE ASSEMBLY	11		
4	1EA	WASHERS & C-RING	12	1	COVER
5	1	SPRING	13	2	8-32 X 3/8" F.H.M.S.
6	1	MOUNTING BRACKET	14	1	PUSH SIDE HANDLE
7	2EA	HANDLE SHAFT & COTTER PIN	15		
8	1	PULL SIDE HANDLE	16		



**DOOR PREP**

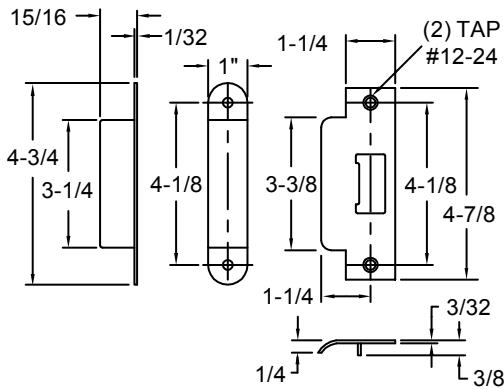
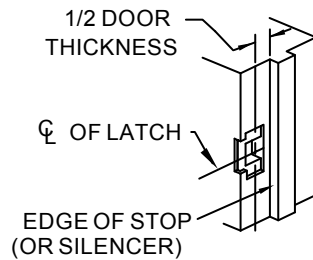
1. Install door
2. Locate horizontal centerline on door
3. Verify backset (2-3/4", 3-3/4", 5" or 7"). Tape template to door.

WOOD DOOR	
BACK SET	DEPTH OF BORE
2-3/4"	4-3/8"
3-3/4"	5-3/8"
5"	6-5/8"
7"	8-5/8"

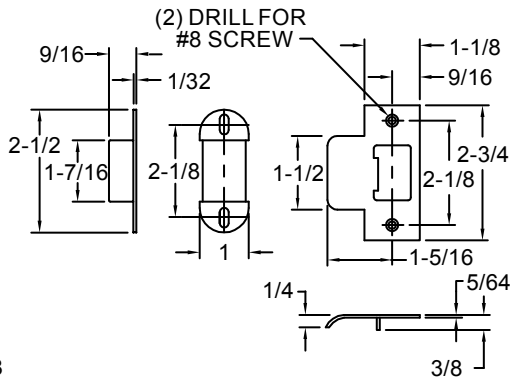


**FRAME PREP**

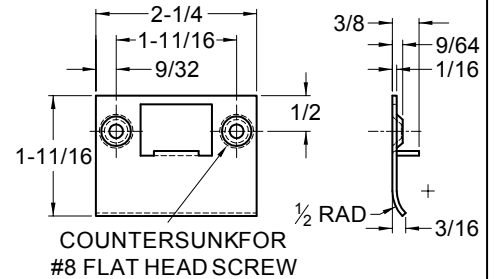
1. Mark centerline of latch bolt on frame
2. Center strike and mark screw positions
3. Mortise to required strike and box depth



**ASA STRIKE & BOX**



**STANDARD STRIKE & BOX**



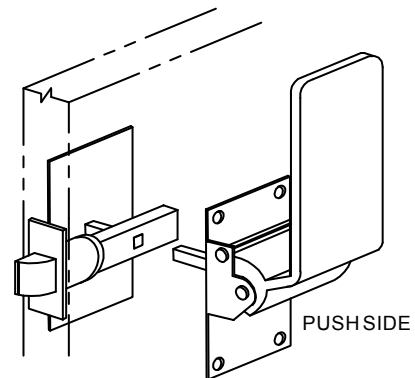
**FULL LIP STRIKE ("D" STRIKE)**

ALL DIMENSIONS IN INCHES

**LATCH/HANDLE ASSEMBLY**

1. Install latch bolt. Radius portion of latch bolt must face push side of door.
2. Install push or pull side handle assembly\* with latch shaft thru latch bolt assembly.
3. Mount Exit only plate and install using (4) 10-32 screws with (4) 10-32 sex bolts.
4. Mount Cover.

\* CAM PIN MUST BE ROTATED TOWARD SIDE INDICATED BY ARROW STAMPED ON BASE SEE DRAWING ON FRONT OF TEMPLATE



www.abhmfg.com  
 E-mail: abhinfo@abhmfg.com  
 Architectural Builders Hardware Mfg., Inc.  
 1222 Ardmore Ave., Itasca, IL 60143  
 630.875.9900; FAX 800.9FAXABH (932.9224)

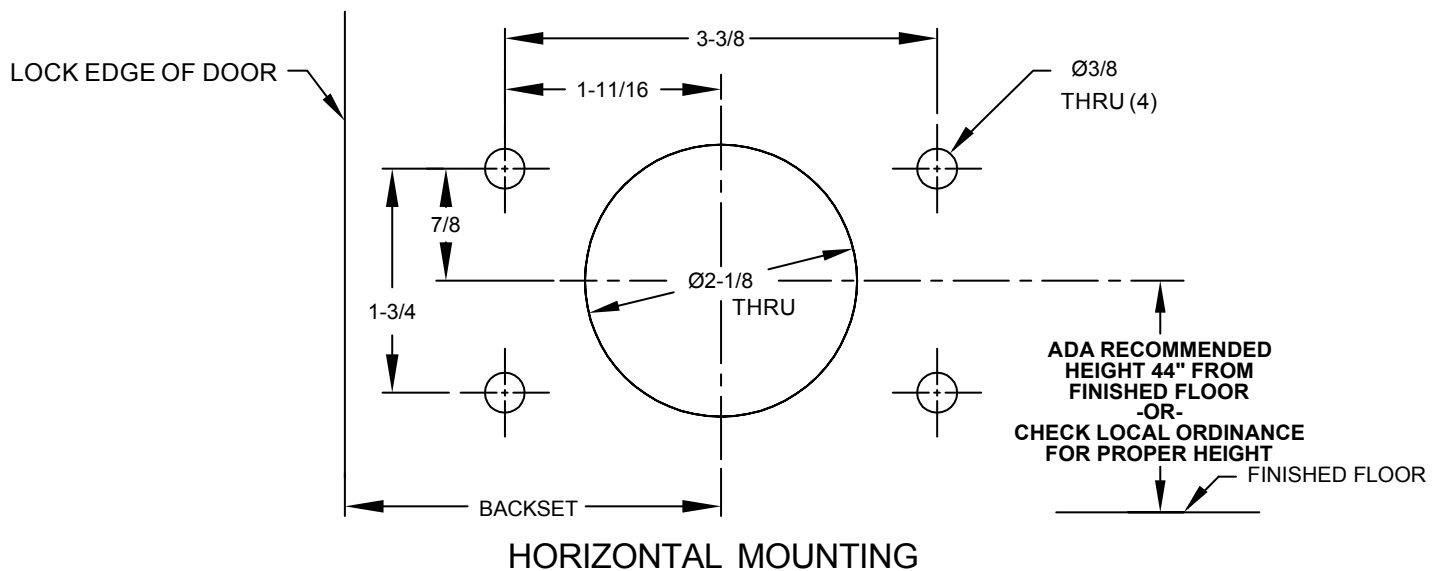
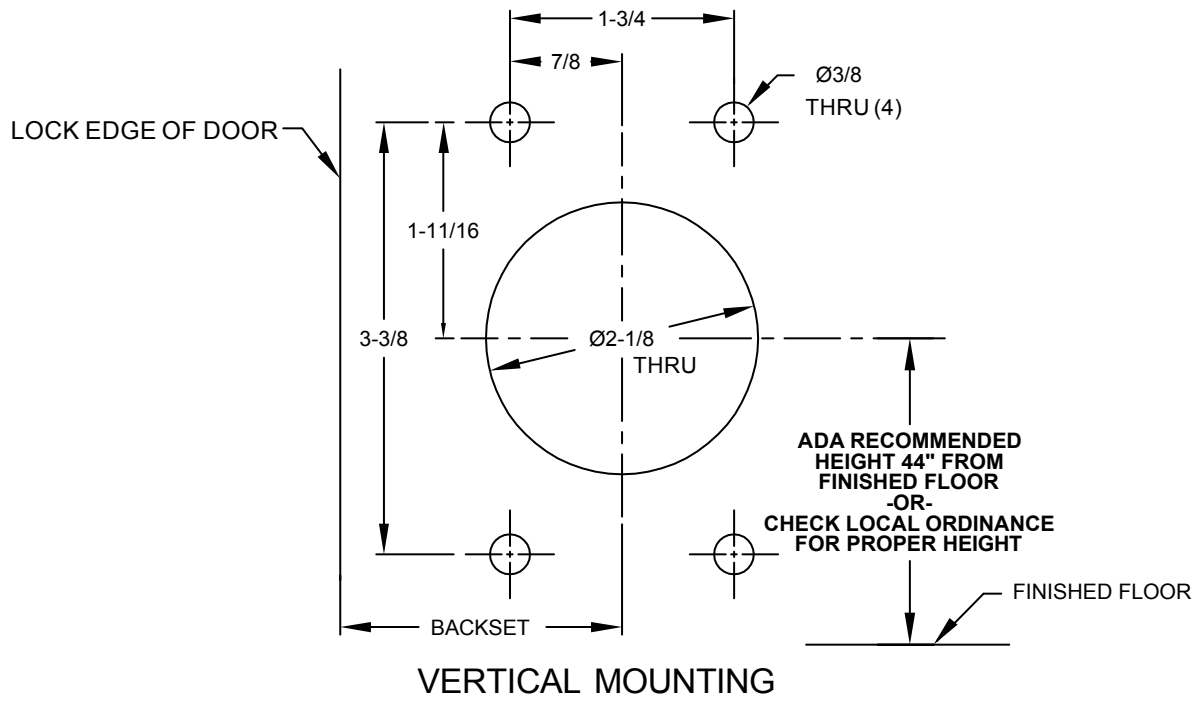
©2014 ABH Mfg., Inc.  
 printed in USA

REVISED 09-16-14

# 6040 SERIES PUSH/PULL LATCH DOOR PREP INFORMATION FOR HORIZONTAL & VERTICAL MOUNT

**DOOR PREP INFORMATION:**

1. BACKSET DIMENSION FROM LOW EDGE OF BEVEL.
2. CENTER PUNCH ALL HOLES.
3. DRILL HOLES (FOR HOLLOW METAL DOORS, DO NOT DRILL THRU. CENTER PUNCH & DRILL HOLES FROM BOTH SIDES OF DOOR).



**DO NOT COPY AND USE THIS AS A TEMPLATE  
PLEASE CALL FACTORY FOR FULL SCALE TEMPLATE**



[www.abhmfg.com](http://www.abhmfg.com)  
 E-mail: [abhinfo@abhmfg.com](mailto:abhinfo@abhmfg.com)  
 Architectural Builders Hardware Mfg., Inc.  
 1222 Ardmore Ave., Itasca, IL 60143  
 630.875.9900; FAX 800.9FAXABH (932.9224)

© 2014 ABH Mfg., Inc.  
printed in USA

6040-3-06.DWG

**6040**

REVISED 09-16-14