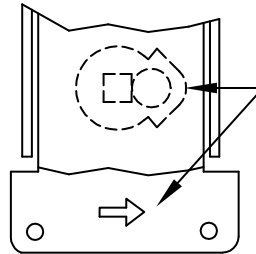
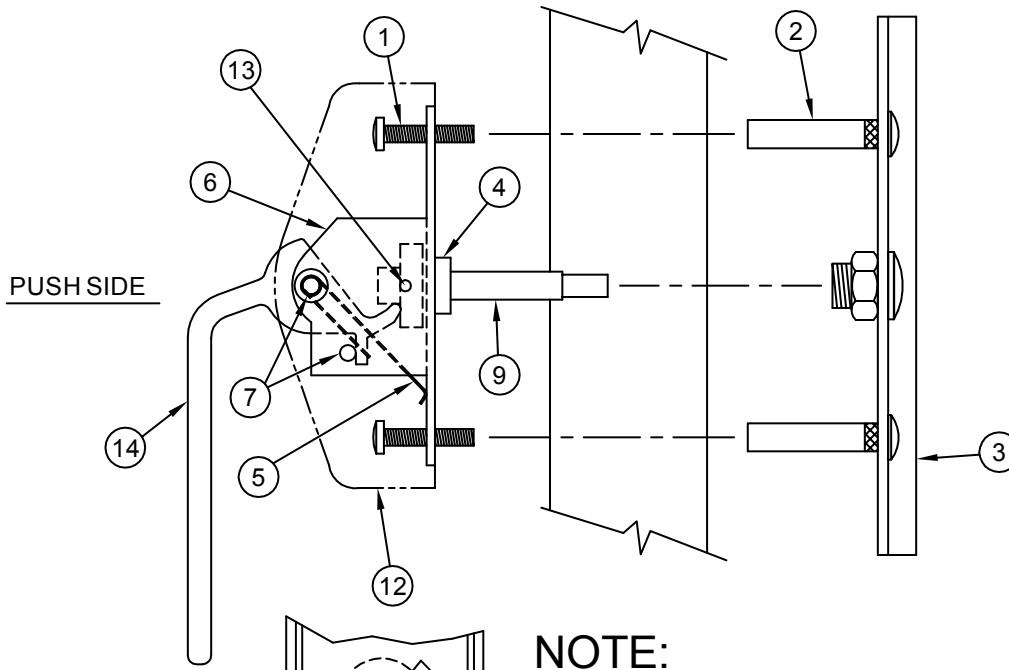
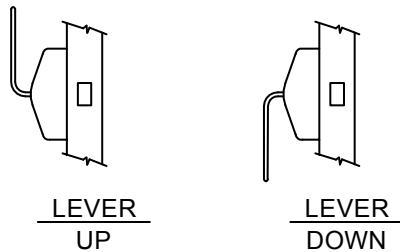


# 6040M EXIT ONLY PUSH LATCH



**NOTE:**  
BEFORE MOUNTING PUSH HANDLE,  
CAM PIN MUST BE ROTATED TOWARD SIDE  
INDICATED BY ARROW STAMPED ON BASE

PUSH SIDE SHOWN FOR EXAMPLE



## SCREW DETAIL

ITEM	QTY	PART	ITEM	QTY	PART
1	4	10-32 X 1-1/2" PAN HD M.S.	9	1	CAM ASSEMBLY(MALE)
2	4	10-32x1"L,5/16O.D. SEX BOLT	10		
3	1	<b>EXIT ONLY SECURITY PLATE ASSEMBLY</b>	11		
4	1EA	WASHERS & C-RING	12	1	COVER
5	1	SPRING	13	2	8-32 X 3/8" F.H.M.S.
6	1	MOUNTING BRACKET	14	1	PUSH SIDE HANDLE
7	2EA	HANDLE SHAFT & COTTER PIN	15		
8			16		

PATENT No. 6,196,599

6040M-1-05.DWG



® [www.abhmfg.com](http://www.abhmfg.com)  
E-mail: [abhinfo@abhmfg.com](mailto:abhinfo@abhmfg.com)  
Architectural Builders Hardware Mfg., Inc.  
1222 Ardmore Ave., Itasca, IL 60143  
630.875.9900; FAX 800.9FAXABH (932.9224)

©2013 ABH Mfg., Inc.  
printed in USA

# 6040M

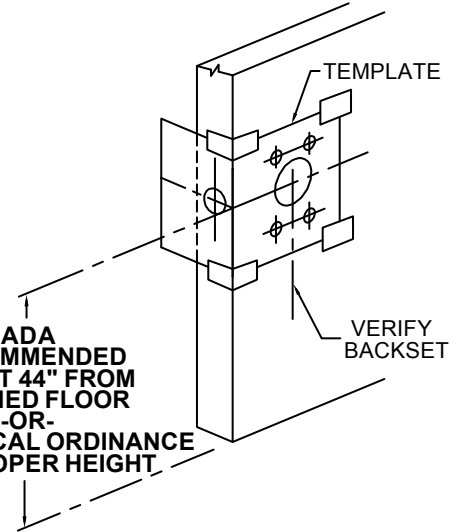
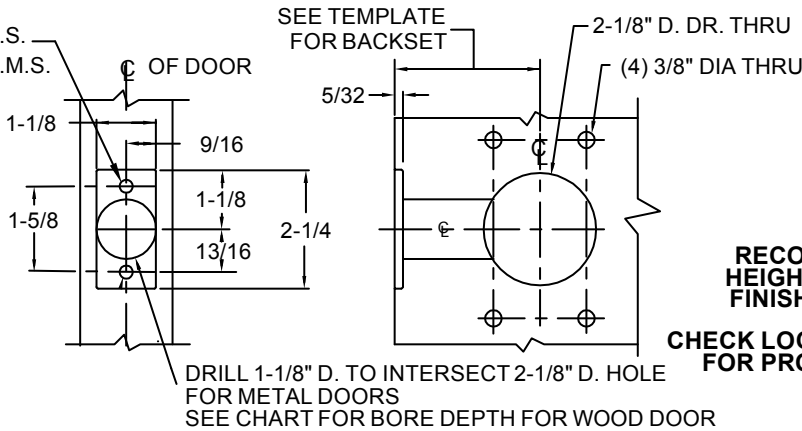
REVISED 03-28-13

**DOOR PREP**

1. Install door
2. Locate horizontal centerline on door
3. Verify backset (2-3/4", 3-3/4", 5" or 7"). Tape template to door.

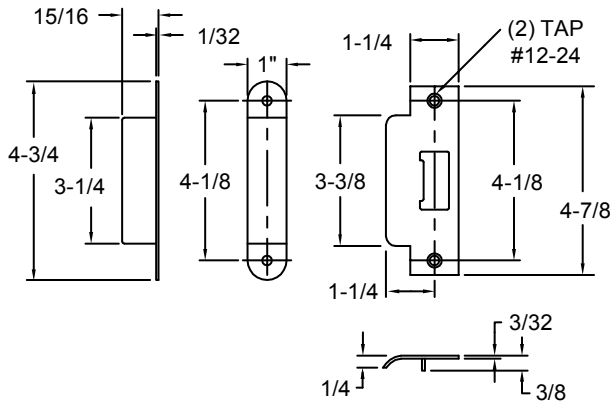
(2) #8 F.H.W.S.  
OR 8-32 F.H.M.S.

WOOD DOOR	
BACK SET	DEPTH OF BORE
2-3/4"	4-3/8"
3-3/4"	5-3/8"
5"	6-5/8"
7"	8-5/8"



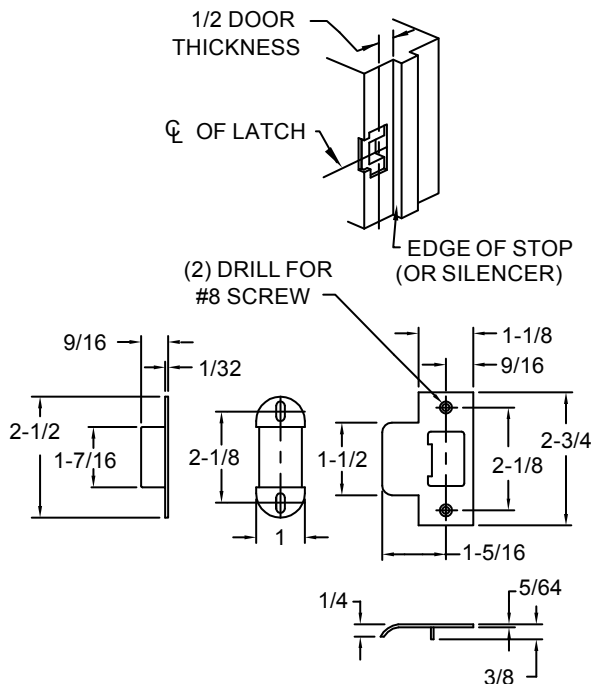
**FRAME PREP**

1. Mark centerline of latch bolt on frame
2. Center strike and mark screw positions
3. Mortise to required strike and box depth



ASA STRIKE & BOX

ALL DIMENSIONS IN INCHES

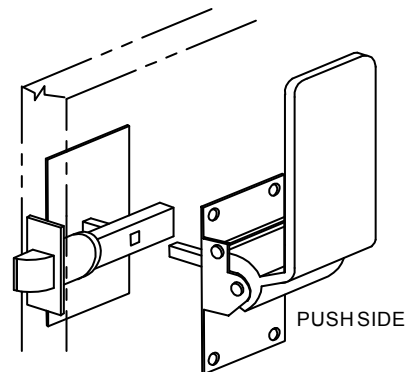


STANDARD STRIKE & BOX

**LATCH/HANDLE ASSEMBLY**

1. Install latch bolt.  
Radius portion of latch bolt must face push side of door.
2. Install push side handle assembly \* with latch shaft thru latch bolt assembly
3. Mount exit only plat and install using (4) 10-32 screws with (4) 10-32 sex bolts.
4. Mount Cover.

\* CAMPIN MUST BE ROTATED TOWARD SIDE INDICATED BY ARROW STAMPED ON BASE SEE DRAWING ON FRONT OF TEMPLATE



® [www.abhmfg.com](http://www.abhmfg.com)  
E-mail: [abhinfo@abhmfg.com](mailto:abhinfo@abhmfg.com)  
Architectural Builders Hardware Mfg., Inc.  
1222 Ardmore Ave., Itasca, IL 60143  
630.875.9900; FAX 800.9FAXABH (932.9224)

© 2014 ABH Mfg., Inc.  
printed in USA

6040M-2-05.DWG

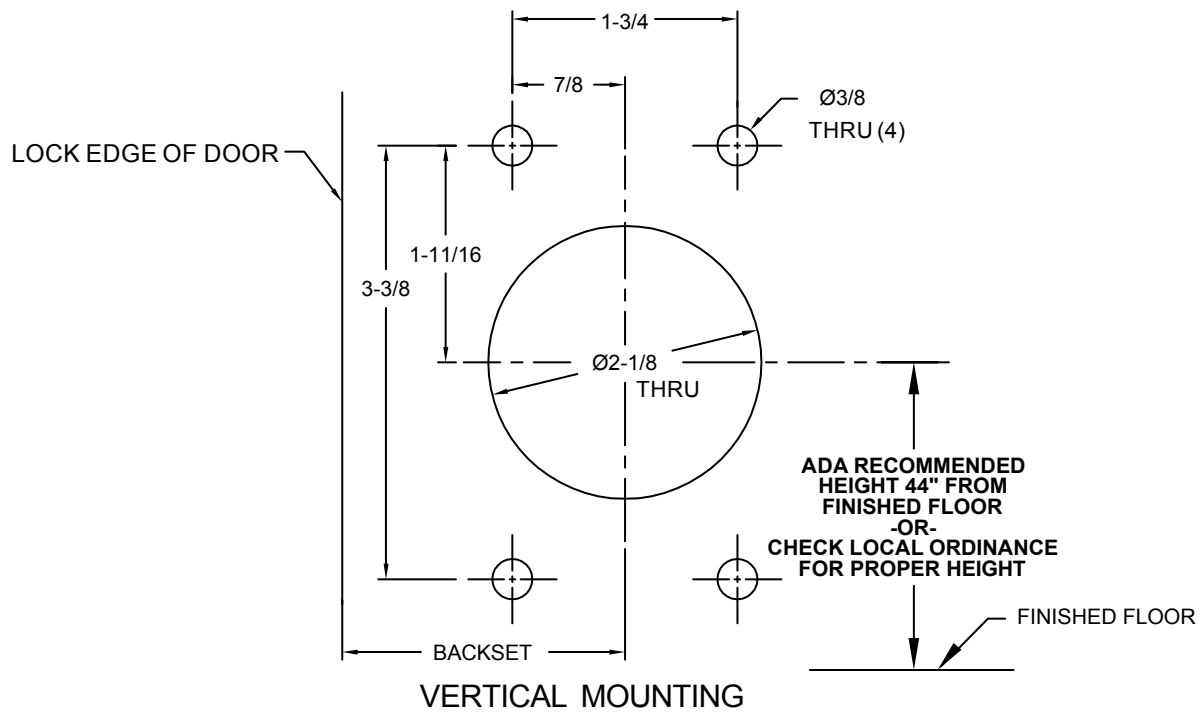
**6040M**

REVISED 09-16-14

# 6040M SERIES PUSH LATCH DOOR PREP INFORMATION FOR VERTICAL MOUNT

## DOOR PREP INFORMATION:

1. BACKSET DIMENSION FROM LOW EDGE OF BEVEL.
2. CENTER PUNCH ALL HOLES.
3. DRILL HOLES (FOR HOLLOW METAL DOORS, DO NOT DRILL THRU. CENTER PUNCH & DRILL HOLES FROM BOTH SIDES OF DOOR).



DO NOT COPY AND USE THIS AS A TEMPLATE  
PLEASE CALL FACTORY FOR FULL SCALE TEMPLATE



® [www.abhmfg.com](http://www.abhmfg.com)

E-mail: [abhinfo@abhmfg.com](mailto:abhinfo@abhmfg.com)

Architectural Builders Hardware Mfg., Inc.

1222 Ardmore Ave., Itasca, IL 60143

630.875.9900; FAX 800.9FAXABH (932.9224)

© 2014 ABH Mfg., Inc.  
printed in USA

6040M-3-05.DWG

## 6040M

REVISED 09-16-14