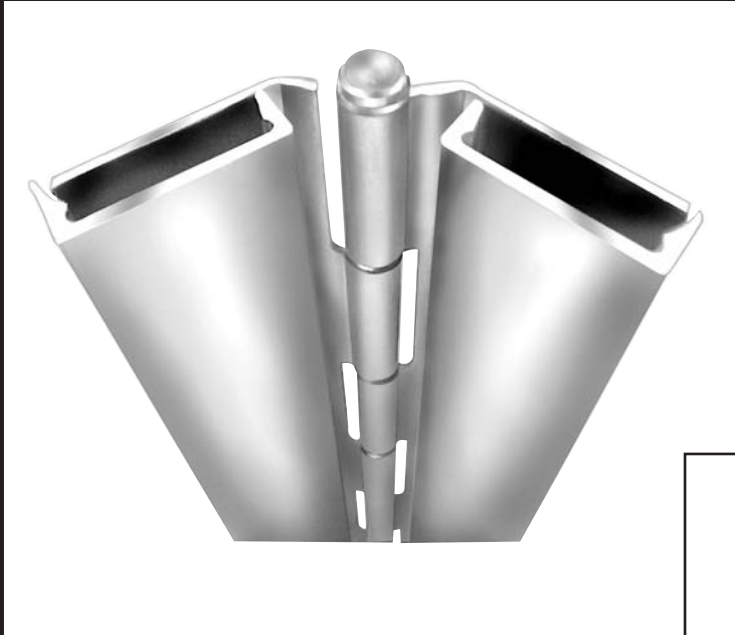
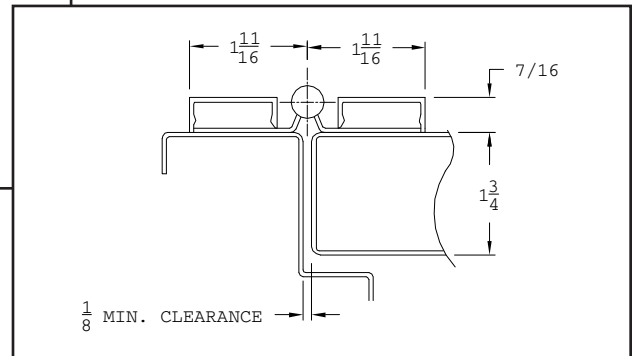


A502 Full Surface Flush Mount



- For beveled or square edged doors
- For 1-3/4" doors
- For high traffic, high abuse doors
- Heavy-Duty 14 Gauge 304 Stainless Steel
- US32D Satin Stainless Steel
- No exposed fasteners when door is closed
- Self drilling screws
- Supports door weights up to 600 lbs.
- 4'0" Maximum door width
- Decorative Fastener Covers
- UL & ULC fire listed



Standard Options

- Hospital Tip- Suffix "HT"
- Dutch Door- Suffix "DD"
- Security Fasteners (Pin-in-Torx)
- Welded End Pins
- Lead Lined Cover with 1/16" lead lining- Suffix "LL"
- Sizes: 6' 8", 7' 0", 7' 2", 8' 0", 10' 0"
- Custom Lengths- Specify Length
- Custom Powder Coated Finishes

Electrical Options

N/A

Fire Rating- UL and ULC fire Listed
3 hours-hollow metal door
90 min.-hollow metal and composite core wood fire door
20 min.-wood door

CROSS REFERENCE				
ABH	Markar	Roton	Stanley	Ives
A502	FS302	-	657HD	702

* Brand names are trademarks or registered trademarks of their respective companies.
 It is not assured nor suggested that any two products are exactly the same. The assessment of which products are most similar comes from information provided by trade sources.