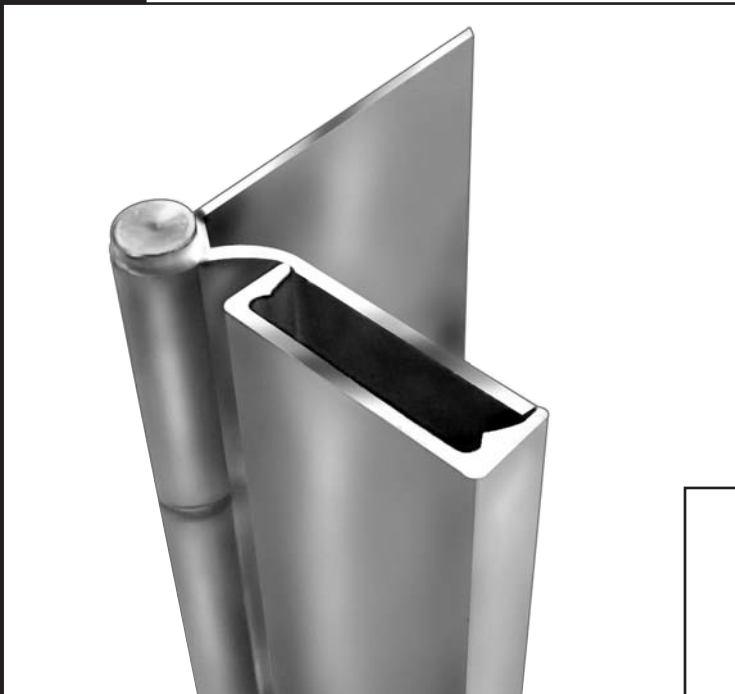
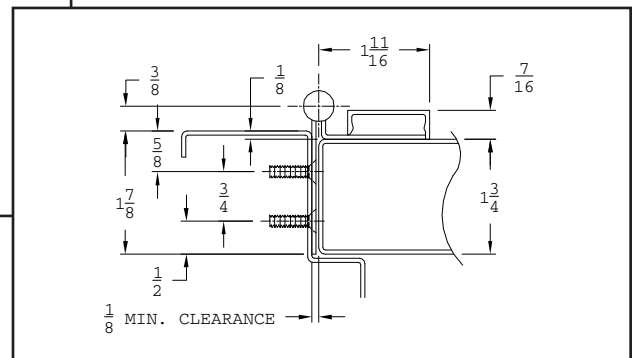


A503 Surface Mounted Door Leaf



- For beveled or square edged doors
- For 1-3/4" doors
- For high traffic, high abuse doors
- Heavy-Duty 14 Gauge 304 Stainless Steel
- US32D Satin Stainless Steel
- Self drilling screws
- Supports door weights up to 600 lbs.
- 4'0" Maximum door width
- Decorative fastener cover
- Current transfer prep available (frame leaf only)
- UL & ULC fire listed



Standard Options

- For beveled or square edged doors
- For 1-3/4" doors
- For high traffic, high abuse doors
- Heavy-Duty 14 Gauge 304 Stainless Steel
- US32D Satin Stainless Steel
- Self drilling screws
- Supports door weights up to 600 lbs.
- 4'0" Maximum door width
- Decorative fastener cover
- Current transfer prep available (frame leaf only)
- UL & ULC fire listed

Electrical Options

- Power Transfer Prep-Suffix "PT"
(Frame Leaf Only)

Fire Rating- UL and ULC fire Listed
3 hours-hollow metal door
90 min.-hollow metal and composite core wood fire door
20 min.-wood door

CROSS REFERENCE				
ABH	Markar	Roton	Stanley	Ives
A503	HS303	790-903	-	703

* Brand names are trademarks or registered trademarks of their respective companies.
 It is not assured nor suggested that any two products are exactly the same. The assessment of which products are most similar comes from information provided by trade sources.