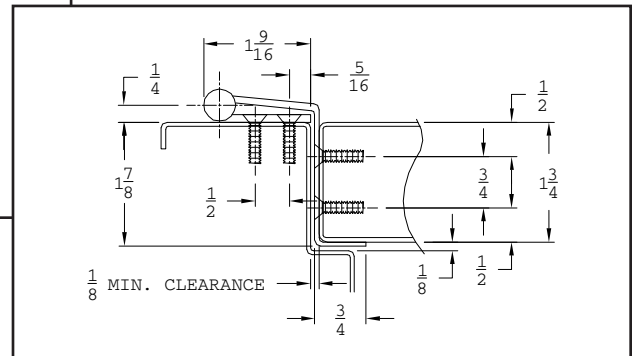


A511 Swing Clear with Edge Guard



- Concealed
- Flush mount
- For square edged doors
- For 1-3/4" doors
- For high traffic, high abuse doors
- Heavy-Duty 14 Gauge 304 Stainless Steel
- US32D Satin Stainless Steel
- Door edge lip on stop side only
- Self drilling screws
- Supports door weights up to 600 lbs.
- 4'0" Maximum door width
- No exposed fasteners when door is closed
- Meets ADA requirements



Standard Options

- Hospital Tip- Suffix "HT"
- Dutch Door- Suffix "DD"
- Security Fasteners (Pin-in-Torx)
- Welded End Pins
- Sizes: 6' 8", 7' 0", 7' 2", 8' 0", 10' 0"
- Custom Lengths- Specify Length
- Custom Powder Coated Finishes

Electrical Options

N/A

Fire Rating- UL and ULC fire Listed
3 hours-hollow metal door
90 min.-hollow metal and composite core wood fire door
20 min.-wood door

CROSS REFERENCE				
ABH	Markar	Roton	Stanley	Ives
A511	HG311	-	656HD	711

* Brand names are trademarks or registered trademarks of their respective companies.
 It is not assured nor suggested that any two products are exactly the same. The assessment of which products are most similar comes from information provided by trade sources.