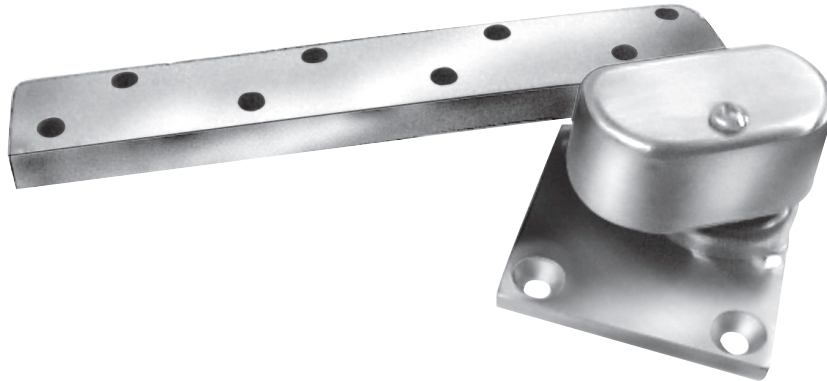

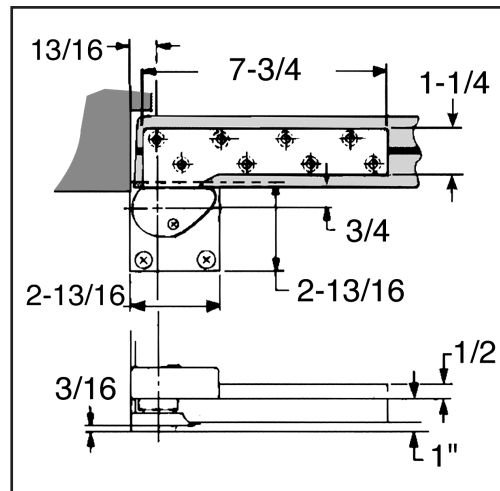


L0147



- 1-3/4" lead lined doors
- For interior doors up to 4'0" x 8'0"
- Weight to 1000 lbs.
- **L0180 top pivot included**
- L019 intermediate pivot required
- Bottom pivot mounted to floor
- US32D models  listed for use on 3 hour fire doors
- BHMA/ANSI C07162/3530A (modified)



www.abhmfg.com
E-mail: abhinfo@abhmfg.com
Architectural Builders Hardware Mfg., Inc.
1222 Ardmore Ave., Itasca, IL 60143
630.875.9900; FAX 800.9FAXABH (932.9224)

© 2007 ABH Mfg., Inc.

ABH[®]