

PANTHER PLATES

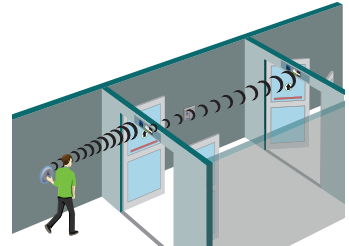
PUSH PLATES WITH INTEGRATED WIRELESS TECHNOLOGY



PRIMARY APPLICATIONS



Low Energy



Vestibules



Request To Exit



Industrial

DESCRIPTION

BEA's Panther push plate family consists of easy to mount, wireless, 4.75 inch round, 6 inch round and 4.75 inch square style push plates. These plates include an integrated 433 MHz wireless transmitter.

Panther plates are weather-resistant, NEMA 4 rated devices, which allows them to be installed in any pedestrian or industrial environment. Capable of surface mount installation, ideal for concrete walls and other applications where it may be difficult to mount a standard push plate.

FEATURES & BENEFITS

- 1/16 inch thick stainless steel for maximum durability
- Completely eliminates the need to run power and/or relay wires
- Concealed fasteners to minimize vandalism
- Available through geographically convenient distribution centers
- Built-in mounting box eliminates the need for additional hardware accessories
- The housing can be directly installed onto any flat surface using standard screws
- Integrated 433 MHz transmitter
- NEMA 4, weather-proof housing

TECHNICAL SPECIFICATIONS

Dimensions

EMR6 Series (Ø × D)	6.29 in × 1.45 in
EMR475 Series (Ø × D)	5.12 in × 1.42 in
EMS475 Series (W ² × D)	5.12 in × 1.42 in

Mounting Options Any Flat Surface

Transmitter Design

Transmitter Type	Encrypted Rolling Code
Transmitter Frequency	433 MHz

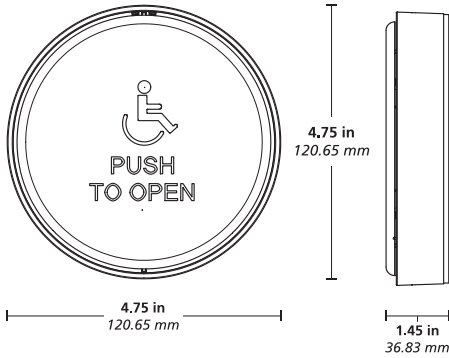
Power Source 12 V Type A23 (included)

Finish 16 Gauge, 304 2B Stainless Steel

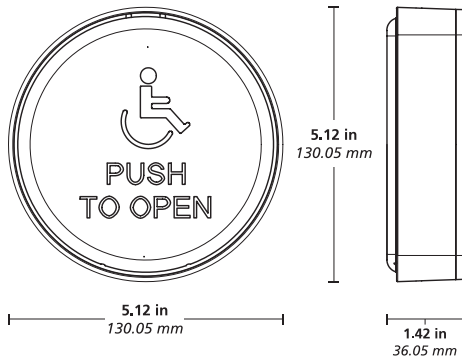
Degree of Protection NEMA 4 / IP65
FCC IC Part 15 Approved

DIMENSIONAL DRAWINGS

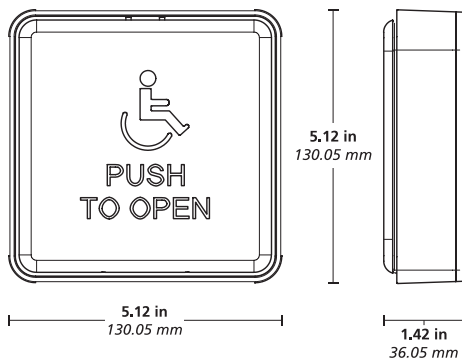
EMR6 Series



EMR475 Series



EMS475 Series



SERIES BREAKDOWN



10EMR61
6" ROUND
TEXT & LOGO



10EMR6L
6" ROUND
LOGO ONLY



10EMR6
6" ROUND
TEXT ONLY



10EMR4751
4.75" ROUND
TEXT & LOGO



10EMR475L
4.75" ROUND
LOGO ONLY



10EMR475
4.75" ROUND
TEXT ONLY



10EMS4751
4.75" SQUARE
TEXT & LOGO



10EMS475L
4.75" SQUARE
LOGO ONLY



10EMS475
4.75" SQUARE
TEXT ONLY

