

5800 Series
ADAEZ[®] PRO
Low Energy Operator



Norton[®]
ASSA ABLOY

ASSA ABLOY, the global leader
in door opening solutions

INTRODUCTION

The 5800 Series ADAEZ PRO is a compact electromechanical door operator that is simple to install and use. This heavy-duty, low energy operator is ideal for retail outlets, banks, schools or universities, casinos and hospitals. Available for push or pull side mounting, this robust, non-handed operator ships standard with integral RF receiver and two wireless push buttons.



ADAEZ PRO: Models 5831 (push), 5811 (pull)

- No electrical power required; a regenerative power system charges an onboard battery pack
- Intended for high traffic manual opening applications that occasionally require automatic operation
- When used in automatic mode 25% of the time or less, the 5831 or 5811 will self-generate enough power to charge the battery pack for up to 12 years.

ADAEZ PRO PLUS: Models 5833 (push), 5813 (pull)

- 24 VDC
- 5833, 5813 operators include a 24 VDC hardwired transformer kit that allows the unit to plug directly into an outlet
- Built-in battery backup allows for over 2000 door activations after a building power failure
- Features:
 - Push-and-Go - door movement activates door open cycle or recycles door
 - Power Close - motor closes door held open by wind, stack pressure, or latch bolt

ADAEZ PRO Complete: Model 5845 (push and pull)

- Designed with the stocking distributor in mind
- The 5845 bundles all the configurations of models 5831, 5811 (PRO) and 5833, 5813 (PRO PLUS) into one package

ADAEZ PRO ELI: Models 5837 (push), 5817 (pull)

- ELI (Electric Lock Interface) offers a complete solution for interfacing the 5800 Series ADAEZ Operator to an electric locking device
- Pressing either the inside or outside push button activates the electric lock then ½ second later sends an RF Signal to open the door
- Multi-purpose timer keeps the electric lock unlocked for an adjustable time period to ensure a smooth operation

TABLE OF CONTENTS

How It Works, Application Shots	3
Certifications, Specifications	4
5831, 5811 ADAEZ PRO	5-6
5833, 5813 ADAEZ PRO PLUS.	7-8
5845 ADAEZ PRO Complete	9-10
5837, 5817 ADAEZ PRO ELI	11-12
Wiring Diagrams	13
How to Order, Conversion Chart	14
Product Dimensions	15
Line Art	16
Replacement Parts, Accessories, Kits	17-19

HOW IT WORKS

How Does The 5800 Series ADAEZ PRO Work Without Electrical Power?

The 5800 Series ADAEZ PRO is an extreme duty, low energy door opener designed for institutional, high traffic manual opening applications that occasionally requires powered operation. A regenerative drive system charges an onboard battery pack eliminating the need for electrical power.

The 5800 Series ADAEZ PRO should be applied to doors using our 80/25 guideline. Apply 5800 Series ADAEZ PRO to a door that gets approximately 80 manual cycles or more per day and is used 25% or less automatically.

When applied using the 80/25 guideline the this operator will self generate all the power it needs to keep its field replaceable, onboard, battery pack charged for up to 12 years and in some cases longer.

A fully charged battery has the capability to open a door up to 2000 times in a row, generously allowing for periodic fluctuations from 80/25 guidelines with little impact on the product's overall usability. Example: 30% automatic use for one day is not a problem, as long as that level of automatic use is not sustained.

The 5800 ADAEZ PRO can be used outside of the 80/25 parameters. Simply plug the unit into a common 110 VAC electrical outlet using our ADA1015P Hardwire Kit option. The Hardwire Kit is a low voltage plug in transformer and can be added to existing installed field units.

ADA1015P Hardwire Kit:
24 VDC Transformer
Armored Door Cord with End Links
50 Feet Of Low Voltage Cable
Power Port Connector



APPLICATION SHOTS



Push Side Mounting



Pull Side Mounting



CERTIFICATIONS

- ANSI/BHMA A156.19 certified
- ETL tested to UL / cUL standard for automatic doors
- Complies with requirements for Americans with Disabilities Act (ADA)
- FCC Part 15 for Class A Device

SPECIFICATIONS

Automatic Door Opener

- Provide low energy automatic door operator complying with requirements of ANSI A156.19.
- Provide an operator with adjustable opening and closing forces that meet the provisions of ANSI 117.1 and the Americans with Disabilities Act.
- Provide an operator with a regenerative drive system which charges the on-board battery pack when unit is operated manually and which requires no external electrical power.
- Provide an operator which, upon installation, will determine door size and weight and automatically tune controller to operate within ANSI A156.19 and 117.1 standards. Operator shall also have the following adjustable functions:
 - Opening/Closing Speed
 - Hold-open Time
 - Close Check
 - Opening/Closing Force
- Provide operator with on-board diagnostics which will continually maintain control of door speed in wind or abusive environment condition.
- Provide operator that will continue closing door within ANSI A156.19 and 117.1 requirements without any external power supplied. Upon meeting an obstruction during the opening cycle the door shall remain under power for one second and then close under spring force; if the door meets and obstruction will closing, the door will maintain a closing force of 8 lbs or less.
- Provide unit capable of operating doors up to 48" wide, weighing up to 250 lbs, and successfully tested for one million automatic cycles.
- Provide unit that will operate in climates with temperatures above -40° F and has a two year warranty.
- Provide operator with two stainless steel, 1-3/4" x 4-3/4" wireless, jamb mounted, push button transmitters with required signage. Locate push buttons as directed by architect and within ANSI A156.19 and 117.1 guidelines.
- Provide operator which utilizes a triangular hardened steel output shaft to connect arm with a two piece tapered coupling for superior slip resistance.
- Provide operator and push button transmitter with circuit boards that have been specially coated to resist moisture and humidity making the electronics weather resistant.
- Provide operator with integral heavy duty cast aluminum shock absorbing arm, which when fully extended is in full tension eliminating the need for an auxiliary door stop.
- Provide operator with two architecturally finished covers and black powder coated frame, arms and mounting brackets.
 - Black (BHMA 693T)
 - Aluminum (BHMA 689)
- Provide an operator incorporating "Push and Go" feature to allow door movement to activate door open cycle or recycle door (PRO PLUS only).
- Provide an operator incorporating "Power Close" feature to utilize the motor to close a door help open by wind, stack pressure or latchbolt (PRO PLUS only).

ADAEZ PRO: MODELS 5831XNPB (PUSH), 5811XNPB (PULL)

Kit Includes:

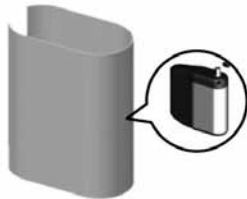


Operator
Push Side - Parallel Arm (illustrated) or
Pull Side - Regular Arm



Narrow Style Push Buttons (2)

Option:



Aluminum Cover

Standard Features:

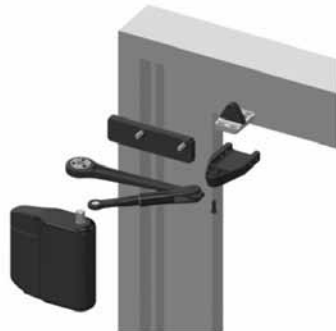
- Regenerative drive operation
 - No electrical power required
 - 25% automatic use
 - Charges onboard battery
- Non-handed
- 95 degree maximum opening
- Push or pull side mounting
- Integral RF receiver
- Dynamic braking module
- Electronic backcheck brake
- Shock absorbing door arm
- 693T (black) cover standard; 689 (aluminum) optional
- Brushless DC motor/gearbox – 10 million activation cycle life
- 24VDC input port
- Auxiliary activation input port

- Battery charge indicator
- Integral ON/OFF selector switch
- Mounting hardware for virtually any door and frame
- ANSI automatic door signs included
- Push Buttons:
 - Heavy-duty, stainless steel
 - 1-3/4" x 4-1/2" jamb mounted
 - Wireless (RF) transmitters

Note: Operator Frame/Arm is only available in black finish.

ADAEZ PRO: MODELS 5831XSQPB (PUSH), 5811XSQPB (PULL)

Kit Includes:

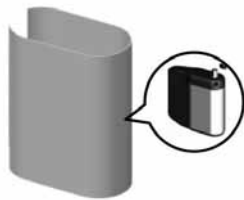


Operator
 Push Side - Parallel Arm (illustrated) or
 Pull Side - Regular Arm



Square Style Push Buttons (2)

Option:



Aluminum Cover

Standard Features:

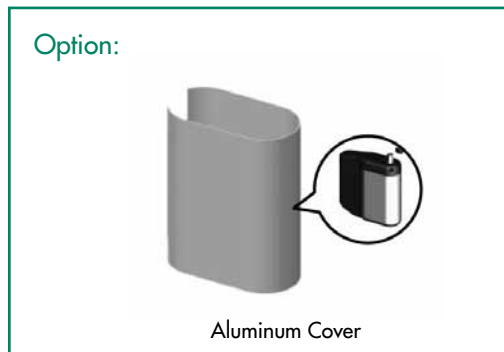
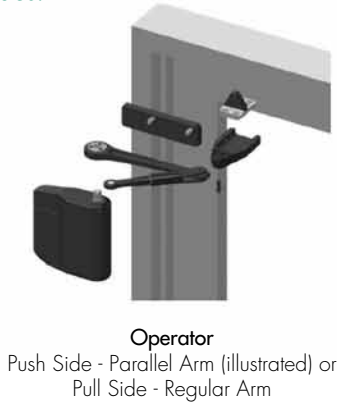
- Regenerative drive operation
 - No electrical power required
 - 25% automatic use
 - Charges onboard battery
- Non-handed
- Push or pull side mounting
- Integral RF receiver
- Dynamic braking module
- Electronic backcheck brake
- Shock absorbing door arm
- 693T (black) cover standard; 689 (aluminum) optional
- Brushless DC motor/gearbox – 10 million activation cycle life
- 24VDC input port
- Auxiliary activation input port
- Battery charge indicator
- Integral ON/OFF selector switch

- Mounting hardware for virtually any door and frame
- ANSI automatic door signs included
- Push Buttons:
 - Heavy-duty, stainless steel
 - 4-1/2" x 4-1/2" surface mount
 - Wireless (RF) transmitters
 - To comply with with California High/Low Activation Code, order (1) ADA1019-2A and receive two additional Square Push Buttons

Note: Operator Frame/Arm is only available in black finish.

ADAEZ PRO PLUS: MODELS 5833XNPB (PUSH), 5813XNPB (PULL)

Kit Includes:



Standard Features:

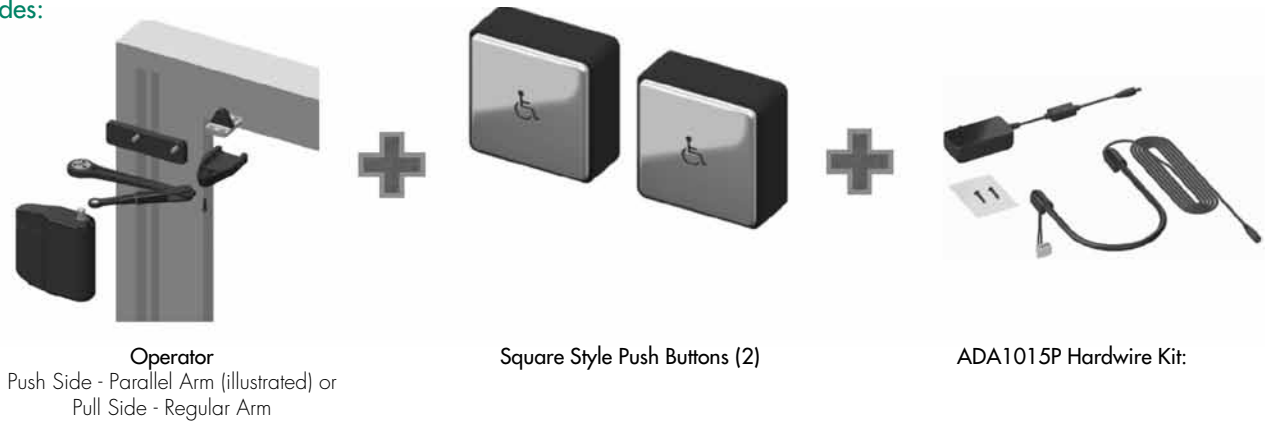
- 24VDC powered
- Continuous duty operation
- Non-handed
- Push or pull side mounting
- Push-and-Go
- Power Close
- Integral RF receiver
- Dynamic braking module
- Electronic backcheck brake
- Shock absorbing door arm
- 693T (black) cover standard; 689 (aluminum) optional
- Brushless DC motor/gearbox – 10 million activation cycle life
- 24VDC input port
- Auxiliary activation input port
- Power on indicator
- Integral ON/OFF selector switch

- Mounting hardware for virtually any door and frame
- ANSI automatic door signs included
- Push Buttons:
 - Heavy-duty, stainless steel
 - 1-3/4" x 4-1/2" jamb mounted
 - Wireless (RF) transmitters
- ADA1015P hardware kit
 - 24VDC transformer
 - Armored door cord with end links
 - 50 ft of low voltage cable
 - Power port connector

Note: Operator Frame/Arm is only available in black finish.

ADAEZ PRO PLUS: MODELS 5833XSQPB (PUSH), 5813XSQPB (PULL)

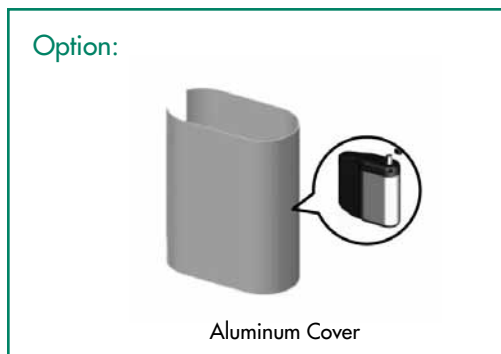
Kit Includes:



Operator
 Push Side - Parallel Arm (illustrated) or
 Pull Side - Regular Arm

Square Style Push Buttons (2)

ADA1015P Hardwire Kit:



Option:

Aluminum Cover

Standard Features:

- 24VDC powered
- Continuous duty operation
- Non-handed
- Push or pull side mounting
- Push-and-Go
- Power Close
- Integral RF receiver
- Dynamic braking module
- Electronic backcheck brake
- Shock absorbing door arm
- 693T (black) cover standard; 689 (aluminum) optional
- Brushless DC motor/gearbox – 10 million activation cycle life
- 24VDC input port
- Auxiliary activation input port
- Power on indicator
- Integral ON/OFF selector switch
- Mounting hardware for virtually any door and frame
- ANSI automatic door signs included

- Push Buttons:
 - Heavy-duty, stainless steel
 - 4-1/2" x 4-1/2" surface mount
 - Wireless (RF) transmitters
 - To comply with with California High/Low Activation Code, order (1) ADA1019-2A and receive two additional Square Push Buttons
- ADA1015P hardware kit
 - 24VDC transformer
 - Armored door cord with end links
 - 50 ft of low voltage cable
 - Power port connector

Note: Operator Frame/Arm is only available in black finish.

ADAEZ PRO COMPLETE: MODEL 5845XNPB (PUSH AND PULL)

Kit Includes:



Operator
 Push Side – Parallel Arm



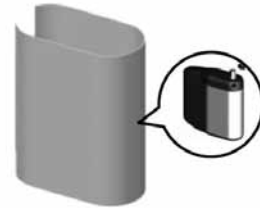
Narrow Style Push Buttons (2)



ADA1015P Hardwire Kit:



Pull Side - Regular Arm



Aluminum Cover

Standard Features:

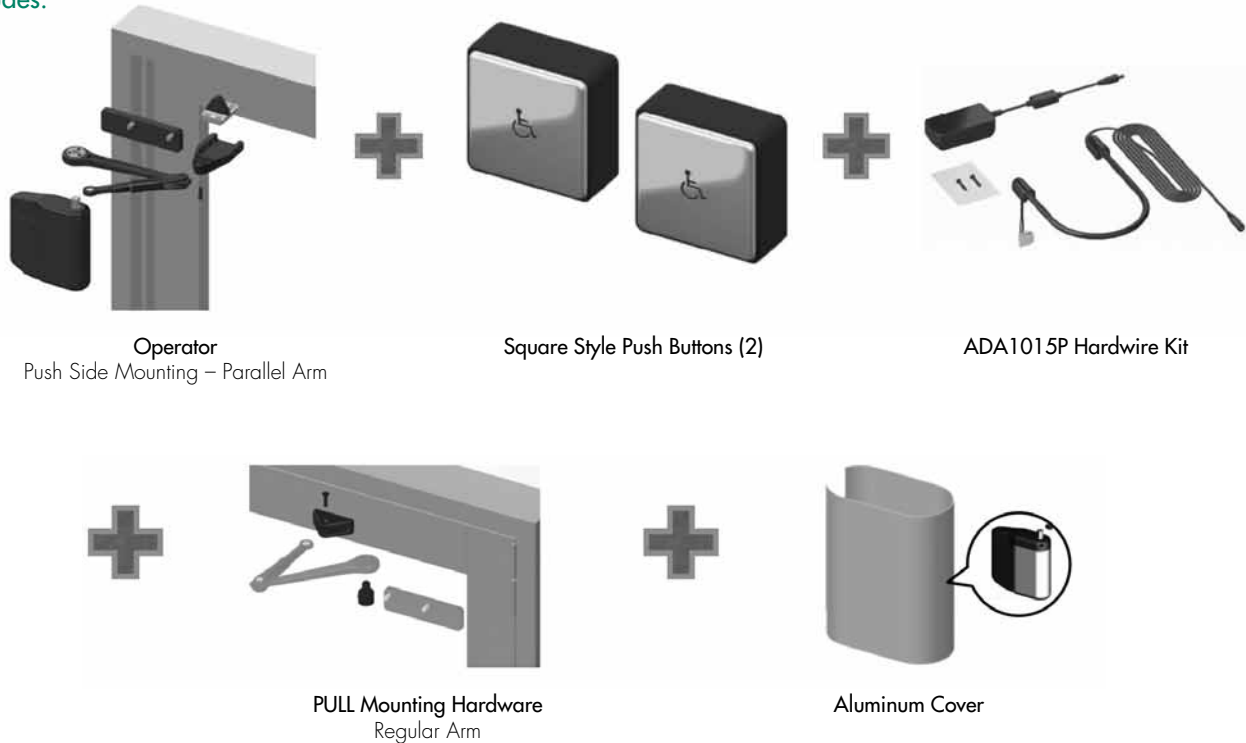
- Regenerative drive or continuous duty operation
- Non-handed
- Push and pull side mounting
- Push-and-Go (ADA1015P Kit must be connected)
- Power Close (ADA1015P Kit must be connected)
- Integral RF receiver
- Dynamic braking module
- Electronic backcheck brake
- Shock absorbing door arm
- 693T (black) and 689 (aluminum) covers standard
- Brushless DC motor/gearbox – 10 million activation cycle life
- 24VDC input port
- Auxiliary activation input port
- Power on indicator

- Integral ON/OFF selector switch
- Mounting hardware for virtually any door and frame
- ANSI automatic door signs included
- Push Buttons:
 - Heavy-duty, stainless steel
 - 1-3/4" x 4-1/2" jamb mount
 - Wireless (RF) transmitters
- ADA1015P hardware kit
 - 24VDC transformer
 - Armored door cord with end links
 - 50 ft of low voltage cable
 - Power port connector

Note: Operator Frame/Arm is only available in black finish.

ADAEZ PRO COMPLETE: MODEL 5845XSQPB (PUSH AND PULL)

Kit Includes:



Operator
 Push Side Mounting – Parallel Arm

Square Style Push Buttons (2)

ADA1015P Hardwire Kit

PULL Mounting Hardware
 Regular Arm

Aluminum Cover

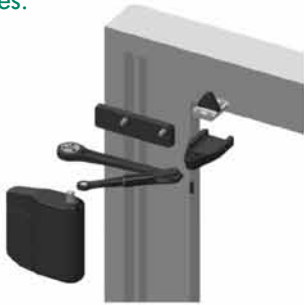
Standard Features:

- Regenerative drive or continuous duty operation
- Non-handed
- Push and pull side mounting
- Push-and-Go (ADA1015P Kit must be connected)
- Power Close (ADA1015P Kit must be connected)
- Integral RF receiver
- Dynamic braking module
- Electronic backcheck brake
- Shock absorbing door arm
- 693T (black) and 689 (aluminum) covers standard
- Brushless DC motor/gearbox – 10 million activation cycle life
- 24VDC input port
- Auxiliary activation input port
- Power on indicator
- Integral ON/OFF selector switch
- Mounting hardware for virtually any door and frame
- ANSI automatic door signs included
- Push Buttons:
 - Heavy-duty, stainless steel
 - 4-1/2" x 4-1/2" surface mount
 - Wireless (RF) transmitters
- ADA1015P hardware kit
 - 24VDC transformer
 - Armored door cord with end links
 - 50 ft of low voltage cable
 - Power port connector

Note: Operator Frame/Arm is only available in black finish.

ADAEZ PRO ELI (ELECTRIC LOCK INTERFACE): MODELS 5837XSQPB (PUSH), 5817XSQPB (PULL)

Kit Includes:



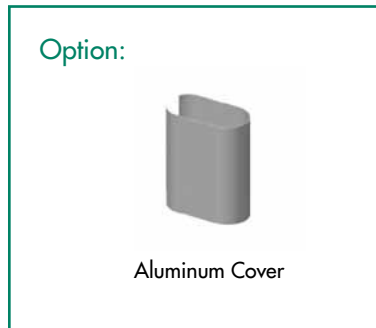
Operator
 Push Side - Parallel Arm (illustrated) or
 Pull Side - Regular Arm



ADA1015P Hardwire Kit:



ADA1025 Timer Kit



ADA1019-4 Push Buttons (Qty 2)

Standard Features:

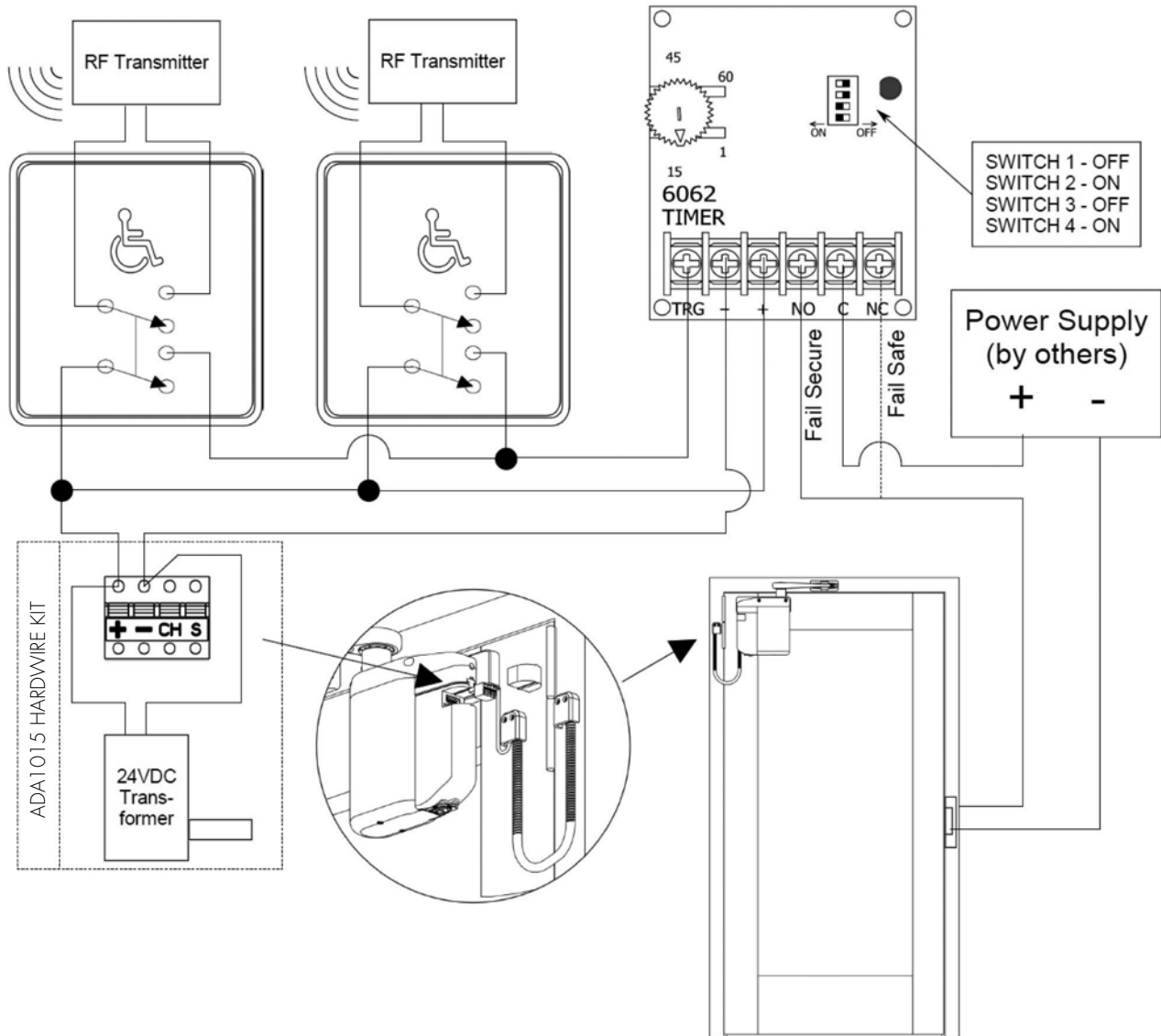
- Standard Features
- Regenerative drive operation
 - No electrical power required
 - 25% automatic use
 - Charges onboard battery
- Non-handed
- Push or pull side mounting
- Integral RF receiver
- Dynamic braking module
- Electronic backcheck brake
- Shock absorbing door arm
- 693T (black) cover standard; 689 (aluminum) optional
- Brushless DC motor/gearbox – 10 million activation cycle life
- 24VDC input port
- Auxiliary activation input port
- Battery charge indicator
- Integral ON/OFF selector switch
- Mounting hardware for virtually any door and frame
- ANSI automatic door signs included

- ADA1015P Hardwire Kit
 - 24VDC transformer
 - Armored door cored with end links
 - 50 ft. of low voltage cable
 - Power port connector
- ADA1025 Timer Kit
 - 24VDC
 - Adjustable lock delay
- ADA1019-4 Push Buttons:
 - Heavy-duty, stainless steel
 - 4-1/2" x 4-1/2" surface mount
 - Wireless (RF) transmitters
 - Double Pole Double Throw switch

Note: Operator Frame/Arm is only available in black finish.

ADAEZ PRO ELI (ELECTRIC LOCK INTERFACE)

RF Pushbutton Switches

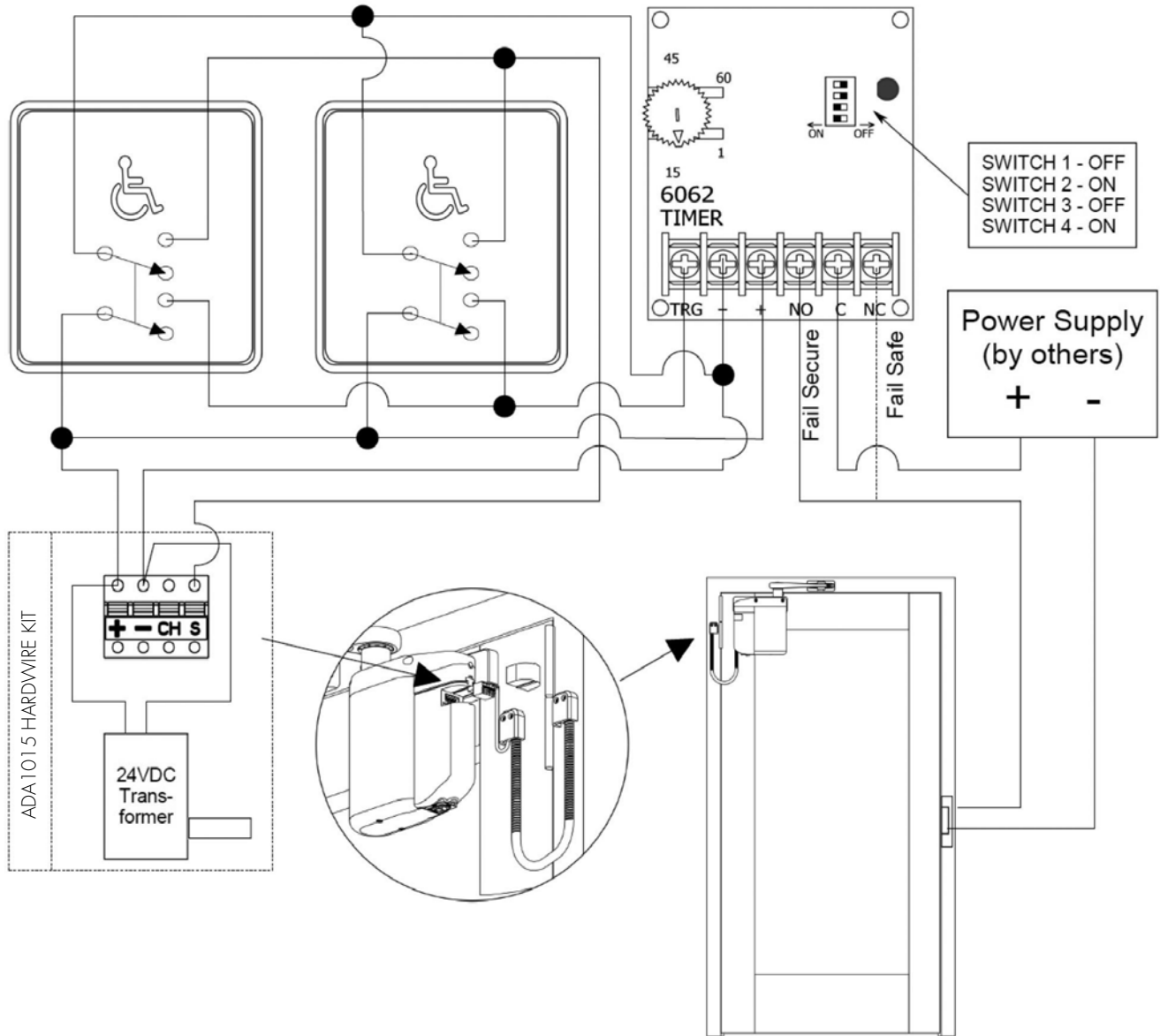


System Description:

- 5800 Series ADAEZ PRO with lock and power supply (by other) with RF buttons
- Powered by ADA1015 Hardware Kit
- Pressing either inside or outside push button activates electric lock then the multi purpose timer keeps the electric lock unlocked for an adjustable time period to prevent operator from engaging electric lock.

TECHNICAL INFORMATION: WIRING DIAGRAMS

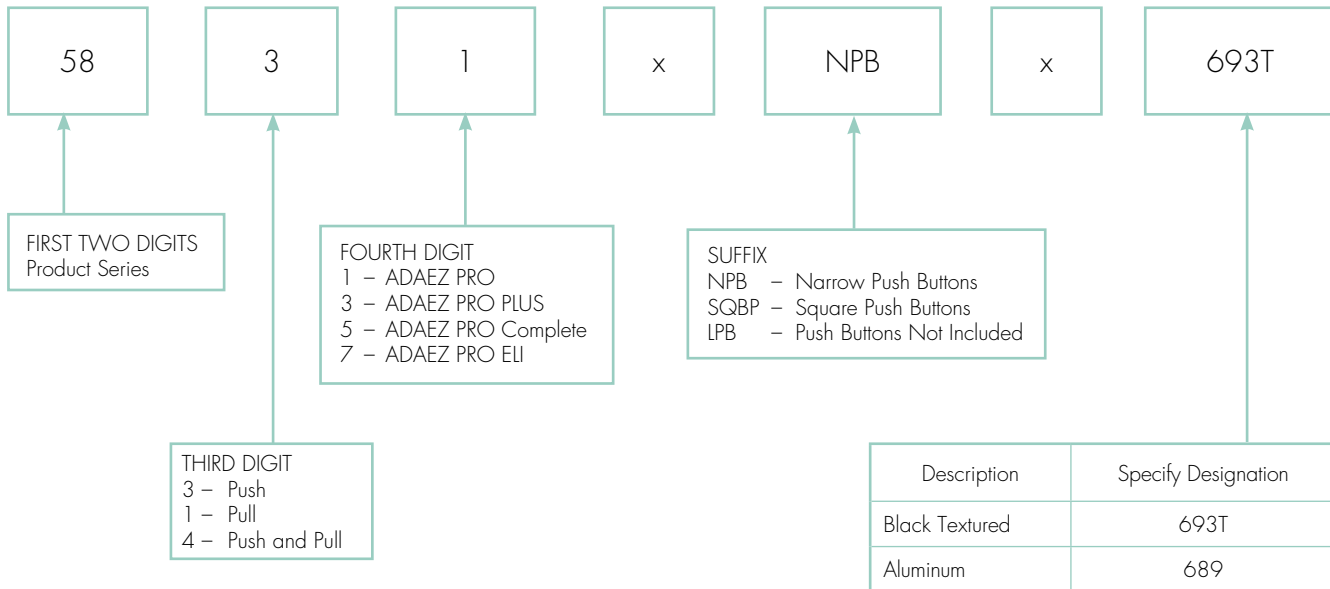
Hardwired Pushbutton Switches



System Description:

- 5800 Series ADAEZ PRO with lock and power supply (by other) with hardwired buttons
- Powered by ADA1015 Hardware Kit
- Pressing either inside or outside push button activates electric lock then the multi purpose timer keeps the electric lock unlocked for an adjustable time period to prevent operator from engaging electric lock.

HOW TO ORDER



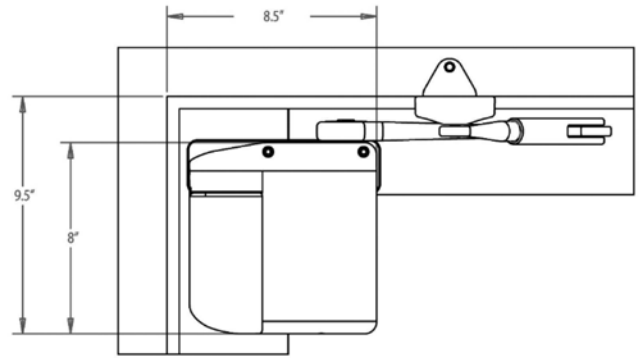
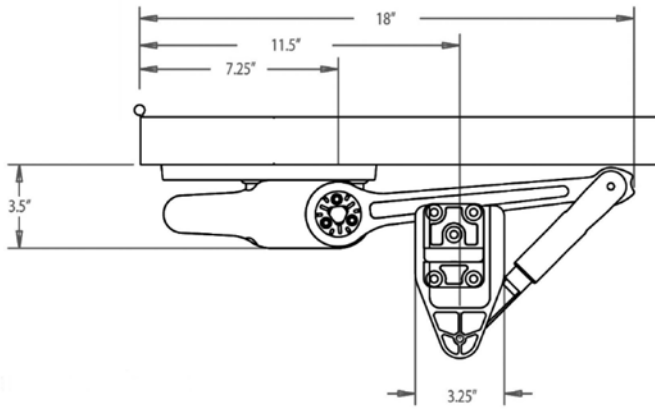
Note: 5845 is shipped 693T x 689 finish

CONVERSION CHART

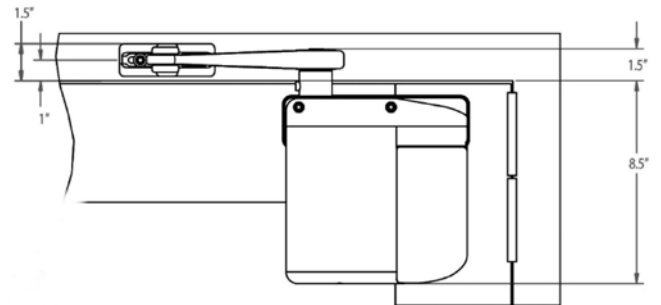
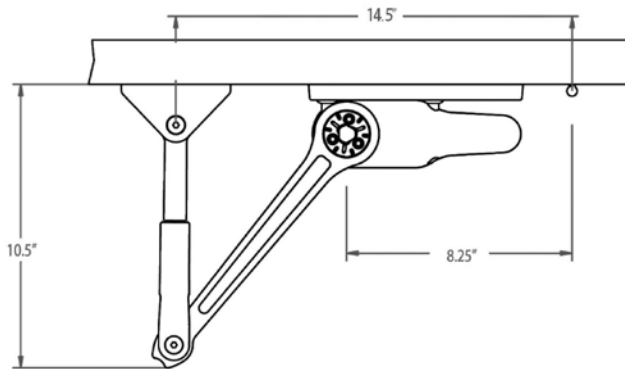
Old Designation	NEW Designation
ADAEZ PRO x Push x Black	5831xNPB x 693T
ADAEZ PRO x Pull x Black	5811xNPB x 693T
ADAEZ PRO x Push x Alum	5831xNPB x 689
ADAEZ PRO x Pull x Alum	5811xNPB x 689
ADAEZ PRO x SQPB x Push x Black	5831xSQPB x 693T
ADAEZ PRO x SQPB x Pull x Black	5811xSQPB x 693T
ADAEZ PRO x SQPB x Push x Alum	5831xSQPB x 689
ADAEZ PRO x SQPB x Pull x Alum	5811xSQPB x 689
ADAEZ PRO PLUS x Push x Black	5833xNPB x 693T
ADAEZ PRO PLUS x Pull x Black	5813xNPB x 693T
ADAEZ PRO PLUS x Push x Alum	5833xNPB x 689
ADAEZ PRO PLUS x Pull x Alum	5813xNPB x 689
ADAEZ PRO PLUS x SQPB x Push x Black	5833xSQPB x 693T
ADAEZ PRO PLUS x SQPB x Pull x Black	5813xSQPB x 693T
ADAEZ PRO PLUS x SQPB x Push x Alum	5833xSQPB x 689
ADAEZ PRO PLUS x SQPB x Pull x Alum	5813xSQPB x 689
ADAEZ PRO Complete	5845xNPBX693Tx689
ADAEZ PRO Complete x SQPB	5845xSQPBX693Tx690
ADAEZ PRO ELI x Push x Black	5837xSQPB x 693T
ADAEZ PRO ELI x Pull x Black	5817xSQPB x 693T
ADAEZ PRO ELI x Push x Alum	5837xSQPB x 689
ADAEZ PRO ELI x Pull x Alum	5817xSQPB x 689
ADAEZ PRO Custom x Push x Black	5831xLPB x 693T
ADAEZ PRO Custom x Pull x Black	5811xLPB x 693T
ADAEZ PRO Custom x Push x Alum	5831xLPB x 689
ADAEZ PRO Custom x Pull x Alum	5811xLPB x 689

PRODUCT DIMENSIONS

Push Side

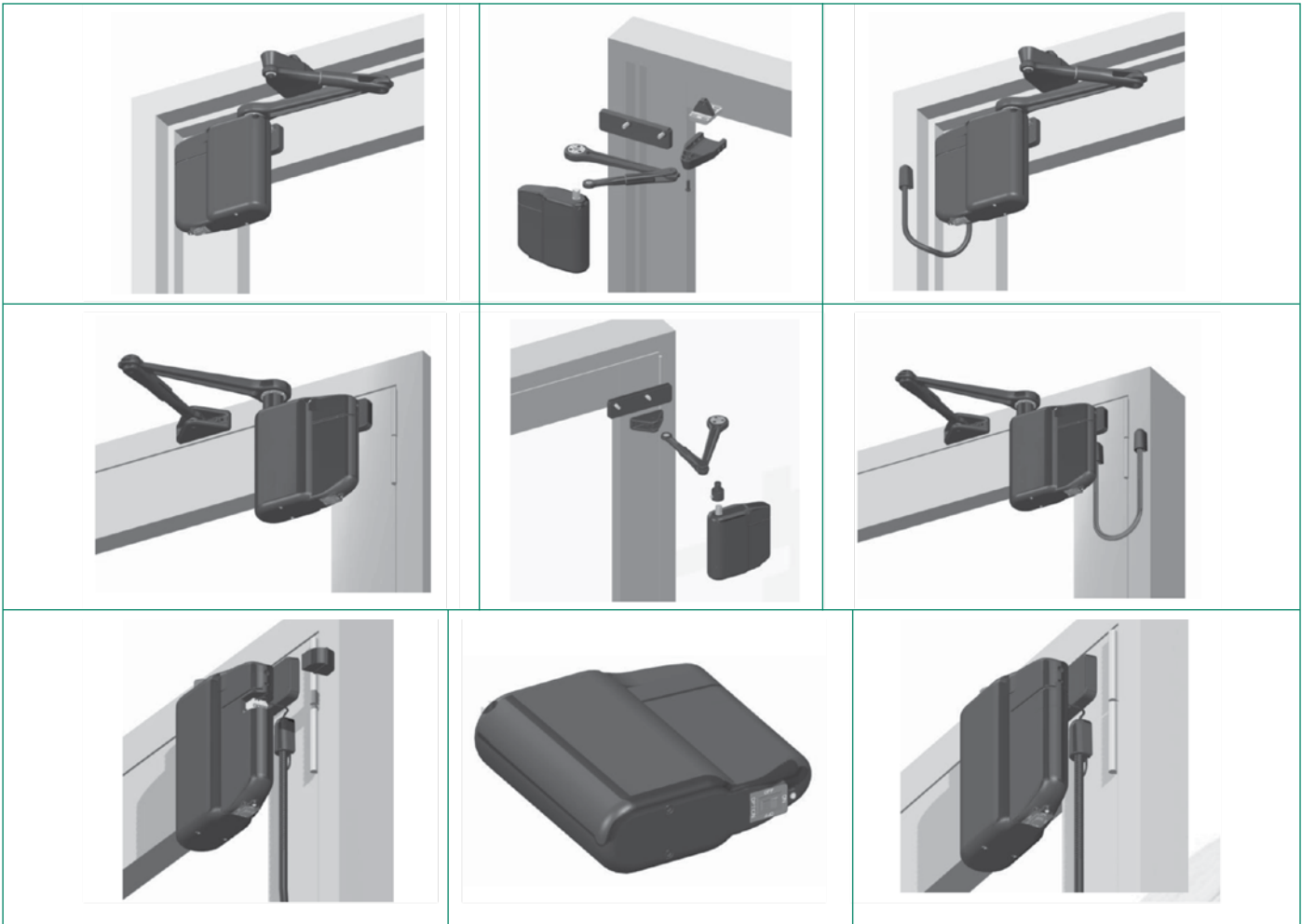


Pull Side



All dimensions are approximate

LINE ART



REPLACEMENT PARTS / ACCESSORIES / KITS

<p>ADA1001 Door Arm Assembly</p> 	<p>ADA1004 Operator Cover - Aluminum</p> 	<p>ADA1006 Operator Mounting Bracket With Covers</p> 
<p>ADA1009 Mounting Hardware</p> 	<p>ADA1002 Operator Cover - Black</p> 	<p>ADA1010P (direct replc of former 1010L/R) ADA EZ Operator Body for ADAEZ and ADAEZ PRO. Battery not included.</p> 
<p>ADA1010NY ADA EZ Operator Body – NYC TRD without Battery</p> 	<p>ADA1010E ADA EZ Operator Body - Europe without Battery</p> 	<p>ADA1005 Electronic Control Kit for ADAEZ (older) Setup and PC Board</p> 
<p>ADA1007P (direct replc. of former 1007) Battery Assembly new part has On/Off switch ,LED Indicator, Power Port</p> 	<p>ADA1005P Electronic Control Kit for ADAEZ PRO Setup and PC Board</p> 	<p>ADA1023 External Battery Charger Kit</p> 

REPLACEMENT PARTS / ACCESSORIES / KITS

<p>ADA1014 Decal Pack</p> 	<p>ADA1005NY Electronic Control Kit for ADAEZ NYCTRD Setup and PC Board</p> 	<p>ADA1015P (direct replc. of former 1015) Transformer, Armored Dr Cord, End Links 50' of Low Voltage Cable, Power Port Cnt.</p> 
<p>ADA1026 Bottom Cover with Two Screws</p> 	<p>ADA1005E Electronic Control Kit for ADAEZ Europe Setup and PC Board</p> 	<p>ADA1008 Wireless Pushbutton Transmitter (Circuit Board Only)</p> 
<p>ADA1025 Multi-Purpose Timer</p> 	<p>ADA1012-1 1 3/4" (4.5 cm) Pushbutton Assembly without RF Transmitter</p> 	<p>ADA1012-2 1 3/4" Pushbutton Assembly with RF Transmitter</p> 
<p>ADA1022 Kit to Convert SPDT Switch to DPDT Switch</p> 	<p>ADA1019-1 4 1/2" (11.4 cm) Sq Pushbutton Assembly without RF Transmitter</p> 	<p>ADA1019-2 4 1/2" Sq Pushbutton Assembly with RF Transmitter</p> 

REPLACEMENT PARTS / ACCESSORIES / KITS

ADA1031 (order 1031E for Europe)
Hand Held Remote Control



ADA1019-3
4 1/2" Sq Pushbutton Assembly
with DPDT Switch without RF Transmitter



ADA1019-4
4 1/2" Sq Pushbutton Assembly
with DPDT Switch with RF Transmitter



ADA1021
Kit to Convert to a PULL Side Mount



ADA1024
Kit to Convert to a PUSH Side Mount



CONTACT US AT:

Norton Door Controls
3000 Highway 74 East
Monroe, NC 28112
Tel: 877-974-2255
Fax: 800-338-0965

ASSA ABLOY Door Security Solutions Canada
160 Four Valley Drive
Vaughan, Ontario, L4K 4T9 Canada
Tel: 800-461-3007
Fax: 905-738-2478

For a complete listing of products and
applications please visit our web site.
www.nortondoорcontrols.com
www.assaabloy.ca

Norton® and ADAEZ® are registered trademarks of Yale Security Inc., an ASSA ABLOY Group company. Other products' brand names may be trademarks or registered trademarks of their respective owners and are mentioned for reference purposes only. These materials are protected under U.S. copyright laws. All contents current at time of publication. Copyright © 2016, Yale Security Inc., an ASSA ABLOY Group company. All rights reserved. Reproduction in whole or in part without the express written permission of Yale Security Inc. is prohibited.