



K100-622H with Aperio hub

Battery operated power
Wireless data

The HES K100 wireless cabinet lock with Aperio technology makes it easy and cost effective to bring access control to cabinets and drawers. The K100 uses local wireless communication between the lock and an Aperio hub to connect to an access control system, eliminating the cost and difficulty of physically wiring access control to the cabinet.

Control and track access to pharmaceuticals, prototypes, restricted documents, evidence, tools and high value materials. The K100 expands the reach of access control systems to drawers, cabinets and lockers through the use of existing ID badges.



K100 Series

Add cabinet security without adding another credential

Specifications

FCC Part 15 & Industry
Canada Compliant

ANSI A156.11-
2003 Grade 1

Operating Temperature
32 to 122F [0 to 50C]

Low frequency model
supports: Prox, EM Prox

High frequency
supports: iCLASS®,
iCLASS SEOS ,
iCLASS SE, ISO 14443A
UID, Mifare, Mifare
Plus, Desfire SE,
Desfire EV1, NFC

High security Grade
1 asset protection
with audit control

Latchbolt status
monitoring

Fully-encrypted
AES 128 bit wireless
communication

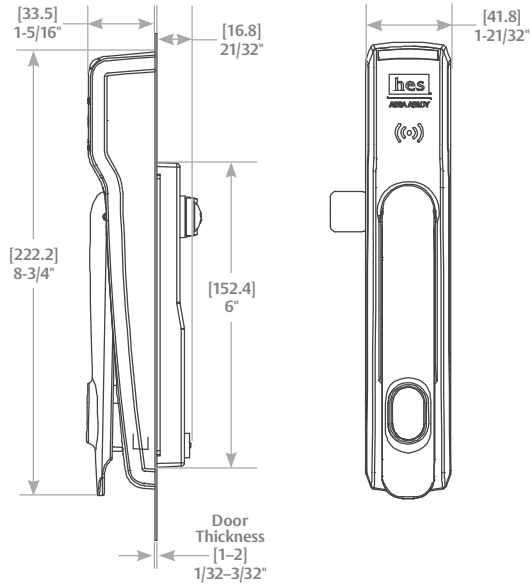
Online & offline
transaction audit
trail capabilities

Low battery signaling
and reporting

Patents pending

K100 Models

K100-622	Wireless Cabinet Lock	Specify knob and finish options
K100-622H	Wholesale kit with 1:1 hub	Specify knob and finish options
PA	Integrated Prox	Includes Prox reader
SE	Integrated iCLASS®	Includes high frequency iCLASS SE reader



Standard Features

- Multi-technology reader
- Integrates easily with existing electronic access control system
- Hard wired Wiegand communication
- Mechanical key override capable with SFIC (SFIC not included)
- Static strength 250 lbs
- Lock and DPS status monitoring

Dual voltage 12 or 24 VDC

Non-handed

Designed for standard 25 mm x 150 mm server rack lock openings

Three year limited warranty

Electrical

- 12 - 24 VDC +/- 10
- 470 mA peak at 12 VDC
- 245 mA peak at 24 VDC

Accessories

CABLEW10-8: Wiegand wire 8 ft extension, 10 conductor with Molex connectors

Finishes

Black





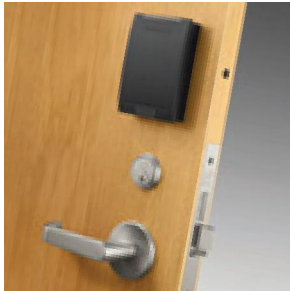
HES
K100 Cabinet Lock
Ideal for cabinets, lockers and drawers in applications such as healthcare, higher education and IT



HES
KS100 Server Cabinet Lock
Ideal for server cabinets and data centers



MEDECO
M100 eCylinder
Ideal upgrade to existing mechanical door hardware



SARGENT
IN100 Lock
Ideal for institutional and commercial applications



SARGENT
PR100 Lock
Ideal for institutional and commercial applications



SECURITRON
R100 Surface Mounted Wireless Reader
Ideal for full glass, brick, stone and marble entry doors



SECURITRON
AS100 Door Sensor
Ideal for aesthetically demanding doorways

Aperio[®]

Wireless possibilities for online access control

Aperio (Latin) / a pe.ri.o/ – to uncover, open

At ASSA ABLOY, we've uncovered the solution that will open new doors to online access control.

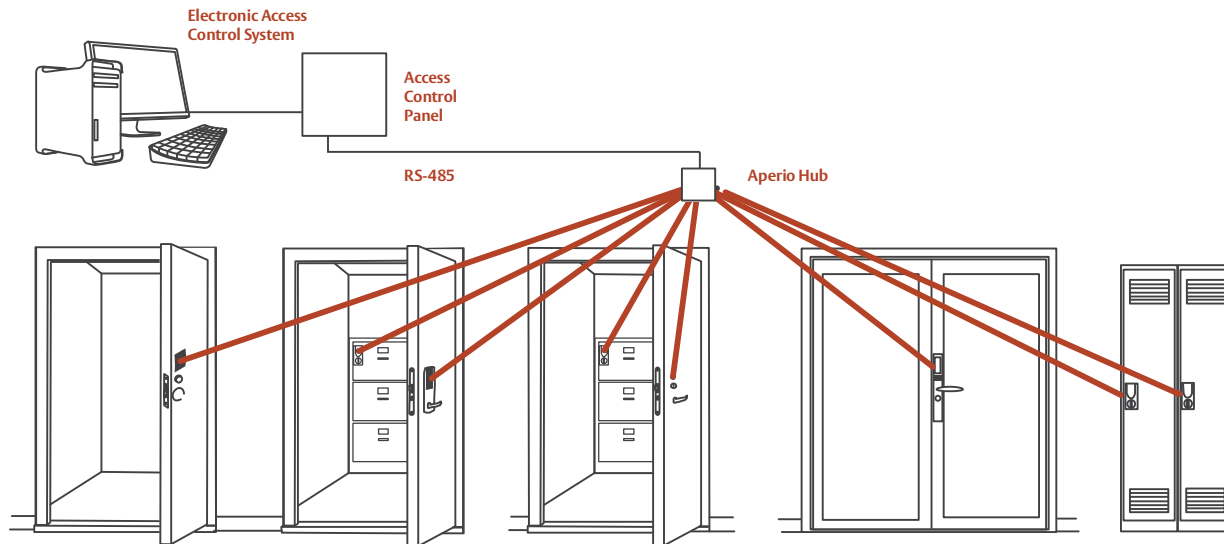
Aperio technology is a global wireless platform that reduces the cost and inconvenience of traditional access control by eliminating wiring at the door.

It utilizes local wireless communication between the lock and a communication hub to connect to an online electronic access control system. This offers facilities an easy, affordable way to expand the reach of existing access control systems and secure additional openings.

Aperio products are available through ASSA ABLOY Authorized Channel Partners.

Visit www.intelligentopenings.com/aperio for more information.

The HES K100 cabinet lock, HES KS100 server cabinet lock, Securitron R100 surface mounted wireless reader and the Adams Rite A100 keyless entry control are all available as either a pre-configured lock and hub kit or as field configurable components of an integrated access control deployment.



Standard Features

Utilizes IEEE 802.15.4 wireless communication between the lock and an Aperio hub that is connected to the electronic access control system

Real-time communication with the access control system for greater security and control

Real-time door status monitoring

AES 128-bit encryption of data

Global wireless platform that addresses a wide range of applications and security requirements

Global Aperio technology is ideal for companies who wish to deploy a standard infrastructure across multi-national locations

Available across a range of locking hardware from ASSA ABLOY Group brands, Aperio provides the flexibility to address a variety of applications throughout your facility

Supports HID® 125 kHz proximity or 13.56 MHz iCLASS® (full authentication, all formats) credentials

Quick, Easy Wireless Deployments

No complex site surveys

Minimal field configuration

Simplified installation at the opening

Uses existing credentials

Learn More

Visit ASSA ABLOY America's University to learn more about Aperio Integration Certification training which allows configuration of multiple locks on each wireless hub.

www.assaabloyamericasuniversity.com

