



Hardwired power  
Hardwired data



# KS200 Series

## Additional layer of security for server cabinets

### Specifications

FCC Part 15 &  
Industry Canada  
(ICES) Compliant

EU/CE Mark  
(EN 300 & 301)

RoHS Compliant

Operating  
Temperature  
32 to 122F  
[0 to 50C]

Credentials supported:  
125kHz Prox or 13.56  
MHz iCLASS®, iCLASS  
Elite, iCLASS SEOS ,  
iCLASS SE, ISO 15693  
iCLASS, ISO 14443A  
Mifare, Mifare Plus,  
Desfire SE, Desfire  
EV1, HCE over NFC

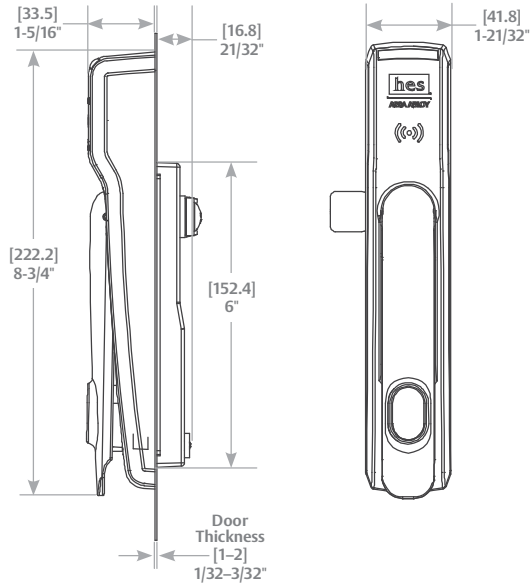
Patents Pending  
& D725,992

The HES KS200 server cabinet lock extends access control to protect data center assets from intrusion and expensive downtime, by bringing real-time access control in a single-card system to individual server cabinet doors.

Designed to install quickly and easily, on most swing-handle style server rack doors, the KS200 uses Wiegand wiring to integrate seamlessly with existing access control systems and ID badges.

It supports a Small Format Interchangeable Core (SFIC) mechanical key override. With an integrated, multi-technology reader, the KS200 provides robust, cost-effective access control to meet strict regulatory compliance and protect data.





### Standard Features

- Multi-technology reader
- Integrates easily with existing electronic access control system
- Hard wired Wiegand communication
- Mechanical key override capable with SFIC (SFIC not included)
- Static strength 250 lbs
- Lock and DPS status monitoring

Dual voltage 12 or 24 VDC

Non-handed

Designed for standard 25 mm x 150 mm server rack lock openings

Three year limited warranty

### Electrical

- 12 - 24 VDC +/- 10
- 470 mA peak at 12 VDC
- 245 mA peak at 24 VDC

### Accessories

CABLEW10-8: Wiegand wire 8 ft extension, 10 conductor with Molex connectors

### Finishes

Black

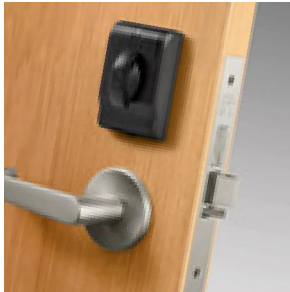




**HES**  
K100 Cabinet Lock  
Ideal for cabinets, lockers and drawers in applications such as healthcare, higher education and IT



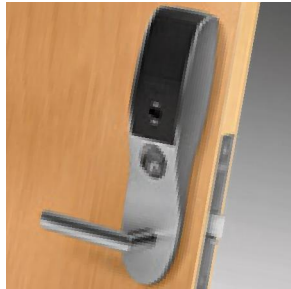
**HES**  
KS100 Server Cabinet Lock  
Ideal for server cabinets and data centers



**MEDECO**  
M100 eCylinder  
Ideal upgrade to existing mechanical door hardware



**SARGENT**  
IN100 Lock  
Ideal for institutional and commercial applications



**SARGENT**  
PR100 Lock  
Ideal for institutional and commercial applications



**SECURITRON**  
R100 Surface Mounted Wireless Reader  
Ideal for full glass, brick, stone and marble entry doors



**SECURITRON**  
AS100 Door Sensor  
Ideal for aesthetically demanding doorways

# Aperio<sup>®</sup>

## Wireless possibilities for online access control

*Aperio (Latin) / a pe.ri.o/ – to uncover, open*

At ASSA ABLOY, we've uncovered the solution that will open new doors to online access control.

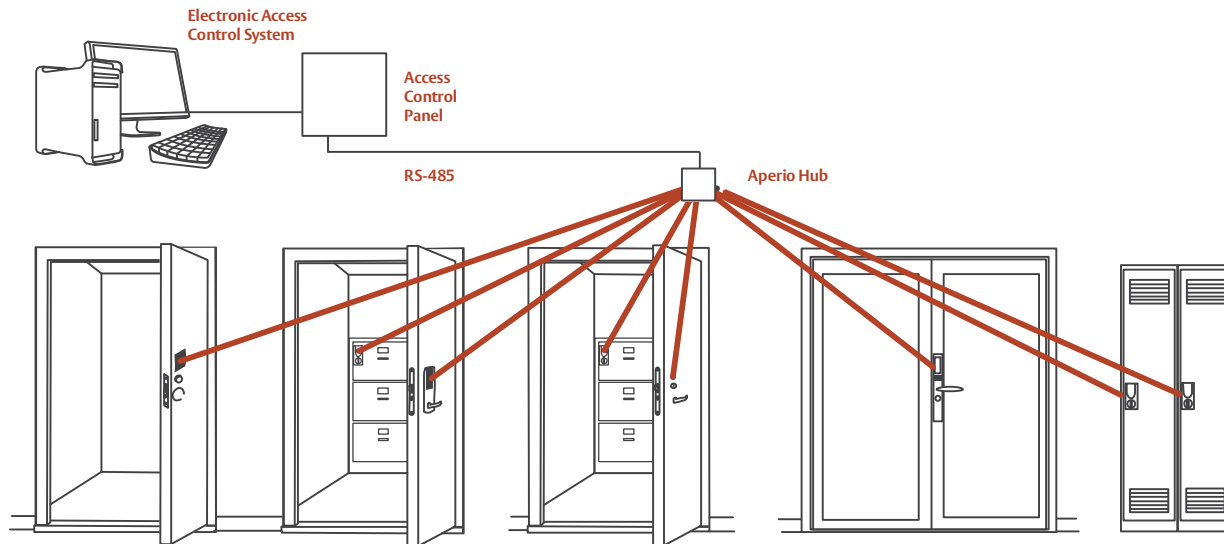
Aperio technology is a global wireless platform that reduces the cost and inconvenience of traditional access control by eliminating wiring at the door.

It utilizes local wireless communication between the lock and a communication hub to connect to an online electronic access control system. This offers facilities an easy, affordable way to expand the reach of existing access control systems and secure additional openings.

Aperio products are available through ASSA ABLOY Authorized Channel Partners.

Visit [www.intelligentopenings.com/aperio](http://www.intelligentopenings.com/aperio) for more information.

The HES K100 cabinet lock, HES KS100 server cabinet lock, Securitron R100 surface mounted wireless reader and the Adams Rite A100 keyless entry control are all available as either a pre-configured lock and hub kit or as field configurable components of an integrated access control deployment.



### Standard Features

Utilizes IEEE 802.15.4 wireless communication between the lock and an Aperio hub that is connected to the electronic access control system

Real-time communication with the access control system for greater security and control

Real-time door status monitoring

AES 128-bit encryption of data

Global wireless platform that addresses a wide range of applications and security requirements

Global Aperio technology is ideal for companies who wish to deploy a standard infrastructure across multi-national locations

Available across a range of locking hardware from ASSA ABLOY Group brands, Aperio provides the flexibility to address a variety of applications throughout your facility

Supports HID® 125 kHz proximity or 13.56 MHz iCLASS® (full authentication, all formats) credentials

### Quick, Easy Wireless Deployments

- No complex site surveys
- Minimal field configuration
- Simplified installation at the opening
- Uses existing credentials

### Learn More

Visit ASSA ABLOY America's University to learn more about Aperio Integration Certification training which allows configuration of multiple locks on each wireless hub.

[www.assaabloyamericasuniversity.com](http://www.assaabloyamericasuniversity.com)

