

# Exit Check® Integrated Delayed Egress Locks

Voice and digital display provides informative annunciation for people without prior knowledge, including the blind and hearing impaired. Field selectable voice & tone or tone only. Voice provides warning or safety message, countdown and time of door release. Digital countdown display also indicates if door was open after lock release. Fixed 15 second delay or selectable 15 or 30 second exit delay.



1511S

## FEATURES

- Field selectable voice message and alarm tone, or alarm tone only, 75 db @ 3 ft
- The visual display provides a digital countdown, indicates lock release and verifies if the door was opened for egress.
- Choice of fixed 15 second exit and 1 second nuisance delay or field selectable 15 or 30 second exit delay and 1 or 2 second nuisance delay
- Field selectable security or safety message
- Field selectable activation: Door movement; Exit device with switch kit; Exit sense bar for non-latching doors
- Field selectable automatic or manual relock upon power up after emergency release or power loss.
- Integrated 3 position key switch provides: Lock and alarm reset; Manual power-up\*; Sustained

bypass; Timed bypass, adj. for 1, 15, 20 or 30 seconds

- Field selectable door prop alarm: Alarm sounds when door is left open after selected bypass time has elapsed.
- Anti-tailgate feature
- Single or multi-door zone control and reset capability

### CONTROL INPUTS

- Remote access control and REX input, field adjustable for 1, 15, 20 or 30 seconds
- Remote reset input
- Manual power-up input\*
- Emergency release input
- Anti-tailgate input

### MONITORING OUTPUTS

- Door secure and unlocked output
- Delayed egress activation alarm output

## MODELS

### 1511S Single

For use with single doors equipped with:

- Mortise or rim mount exit devices
- Surface or concealed vertical rod exit devices with surface or concealed strikes and triggers
- Mortise or cylindrical locksets

### 1511T Tandem

Activating either door unlocks both doors. For use with pairs of doors equipped with:

- Mortise or rim mount exit devices
- Surface or concealed vertical rod exit devices with surface or concealed strikes and triggers.
- Mortise or cylindrical locksets



1511T

## PATIENT & INFANT TRACKING SYSTEMS

The SDC Exit Check® is compatible with patient tracking systems, like those used for protection against infant abduction from hospital nurseries, and for the protection of patients in long term care facilities who may be endangered if they leave their care facility without supervision.



## APPLICATION

### AIRPORT & PUBLIC FACILITY SECURITY & SAFETY

Control pedestrian traffic in government, public facilities and transportation facilities, including airport jetways and tarmacs.

### LOSS PREVENTION

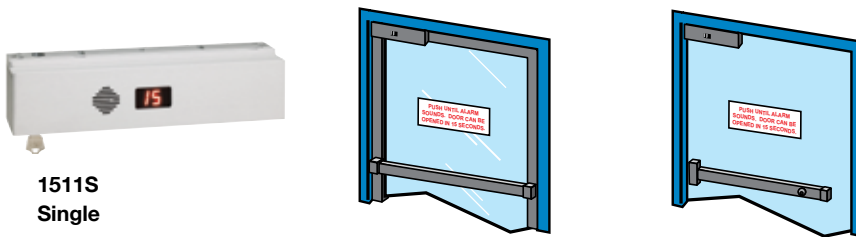
Provide theft protection of merchandise, technology and other valuables such as, art and museum artifacts.

### WANDERING PATIENT AND INFANT PROTECTION

Restrict the egress of psychiatric and drug rehab patients, elderly patients in assisted living facilities and restrict the movement of nursery infants for their own safety and security.

### OPERATION

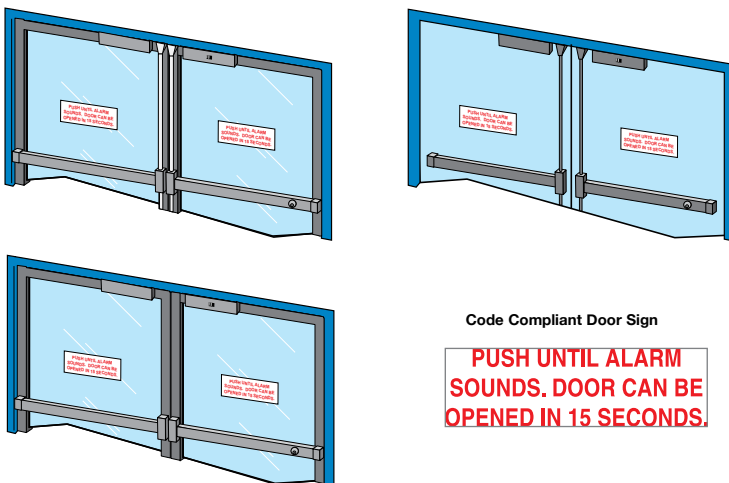
Typically used on exit doors, when unauthorized egress is initiated when in the locked mode, the SDC Exit Check® delays egress through the door for 15 or 30 seconds. Meanwhile, the person exiting must wait while personnel or security respond. The door unlocks after 15 seconds have elapsed, permitting egress. A signal from the fire life safety system will release the lock for uninhibited egress in an emergency. 30 second delay available where approved.



**1511S**  
Single



**1511T**  
Tandem



Code Compliant Door Sign

**PUSH UNTIL ALARM  
SOUNDS. DOOR CAN BE  
OPENED IN 15 SECONDS.**

## CODE COMPLIANCE

Exit Check® models comply with today's building and fire life safety codes. See page 4

**IBC, International Building Code**  
1008.1.8.6 Delayed Egress Locks

**IFC, International Fire Code**  
1008.1.8.6 Delayed Egress Locks

**NFPA 101, Life Safety Code**  
7-2.1.6.1 Delayed Egress Lock

**CBC, California Building Code**  
1008.1.8.6 Special Egress Control Devices

**BOCA, National Building Code**  
1017.4.1.2 Special Locking Arrangements

**Chicago Building Code**  
10 (13-160-269) Electro-Magnetic Locking Devices.

### LOCAL APPROVAL

All installations must be approved by the Authority Having Jurisdiction (AHJ).

### ACCESS CONTROL

Access controls may be utilized for authorized egress, access and lock reset. Access from the exterior of latching doors requires an additional means of mechanical lock release, such as a mechanical key or electric strike.

### VERBAL AND DIGITAL ANNUNCIATION

The Exit Check® series incorporates an alternating verbal message, verbal countdown and alarm tone, plus a large digital countdown display and door release indicator that provides a clear warning for the safety of persons without prior knowledge of door operation, including the blind and hearing impaired.



## EXTENDED FEATURES

### SELF ADJUSTING DOOR MOVEMENT SENSOR

The built-in door movement sensor may only be used with doors equipped with a latch assembly, such as a mechanical lockset or exit device.

The mechanical latch mechanism must be locked on the exterior and unlocked on the interior. From the inside, retracting the door latch and applying pressure causes limited door movement. The built-in activation trigger senses the door movement and initiates delayed egress operation. The self adjusting sensor helps prevent false triggering.

### EXTERNAL DEVICE TRIGGER INPUT

#### ACTIVATION FOR NON-LATCHING DOORS

The external activation trigger input must be used with doors without latch assemblies, such as latchless glass and herculite doors.

Activation may be triggered by the SDC MSB550 Switch Bar or the SDC Sure Exit®, request-to-exit push bar. A power transfer device is required. Pushing on the request-to exit push bar immediately activates the delayed egress operation.

#### ACTIVATION FOR LATCHING DOORS

Where preferred, activation may be accomplished by a latch monitoring strike, or a switch installed in a standard latching exit device or lockset. A power transfer device is required for exit devices equipped with a trigger switch.

See SDC datasheets for detailed information on SDC MS Series Latch Monitoring Strikes, Exit Device Switch Kits and Power Transfer Devices.

### AUTOMATIC OR MANUAL POWER-UP

Field selectable method of lock power-up, automatic or manual, after power loss or emergency release.

#### AUTO POWER-UP

When selected, regardless of the means of deactivation, relocking of the Exit Check® occurs when power is restored and/or the fire life safety panel is reset.

#### MANUAL POWER-UP

UBC, California Building Code (OSHPD) Compliant Reset  
When selected, regardless of the means of deactivation, relocking of the Exit Check® is by manual means only at the door. Only after power restoration and/or fire life safety panel reset, the door may be relocked by actuating the standard built-in key reset or optional wall mounted key switch, push switch or digital keypad located adjacent to the door.

### KEYLESS CONTROL (OPTIONAL)

#### 920 ENTRY CHECK DIGITAL KEYPAD

While the Exit Check® is equipped with a standard built-in 4 function key switch for reset, manual power up, momentary bypass and sustained bypass functions, the SDC 920 wall mounted keypad provides the convenience of keyless operation for:

- Alarm Reset
- Manual Power-Up (UBC & California required)
- Momentary or Sustained Bypass



## SPECIFICATIONS

### Electrical

**Input Voltage** Dual voltage Sensing 12/24 VDC ± 10%

#### Standard 1650lbs Holding Force

**1511S** 820mA @ 12VDC | 500mA @ 24VDC

**1511T** 1500mA @ 12VDC | 850mA @ 24VDC

#### Energy Saver 1200lbs Holding Force

**1511S (E option)** 400mA @ 12VDC | 275mA @ 24VDC

**1511T (E option)** 650mA @ 12VDC | 400mA @ 24VDC

### Mechanical

**Single** 11"L x 2-3/4"H x 2-5/8"D

#### Tandem

**Master** 11"L x 2-3/4"H x 2-5/8"D

**Slave** 11"L x 2-3/4"H x 2-5/8"D

**Armature** 7-3/8"L x 2-3/8"H x 9/16"D

### Inputs

**Request to Exit** Normally open, dry

**Fire Alarm Release** Alarm panel closed dry contact. Opening of contact releases lock.

### Monitoring Outputs

**Alarm Output** SPDT Dry, 1 Amp @ 30VDC

**Lock Secure Unlocked Output** SPDT Dry, 1 Amp @ 30VDC

**DPS Door Position Status (optional)** SPDT Dry, 250 mA @ 30VDC

**BAS Magnetic Bond Status (optional)** SPDT Dry, 250 mA @ 30VDC

**ATS Anti Tamper Sensor (optional)** SPDT Dry, 1 Amp @ 30VDC

## CODE COMPLIANCE

- NA - NFPA 101 • IBC • IFC

If no Code is specified,

NA is the SDC Standard Supplied Code Setting

### STANDARD MODELS

**1511S NA K V** Single, Adj 15/30

**1511T NA K V** Tandem, Adj 15/30

### NA OPERATION

1) When the door is closed, latched, and the lock is energized, field selectable “15” or “30” is displayed, indicating the door is secure.

2) Applying pressure and retracting the door latch activates a warning tone and digital display countdown. If the door is released in 1 or 2 seconds, the warning tone stops and the door stays locked.

Non Latching Glass Doors: Activation by PSB560 Exit Sense Bar (see page XX)

3) When activation exceeds the nuisance time (1 or 2 seconds) an irreversible process begins that will unlock the door in 13 or 14 seconds. The voice message, tone and countdown annunciation continue.

#### MALE VOICE WITH SECURITY MESSAGE

Tone....“Exit in twelve seconds,  
Security has been alerted”

Tone....“Exit in five seconds”

Tone....“Exit now”, Tone....“Exit now”

#### FEMALE VOICE WITH SAFETY MESSAGE

Tone....“Exit in twelve seconds,  
Facility Staff has been notified”

Tone....“Exit in five seconds”

Tone....“Exit now”, Tone....“Exit now”

#### STONE ONLY (IN LIEU OF MESSAGE)

Activation: Short beeps

Lock Release: Long beeps

4) The door unlocks when delay time has elapsed and the digital display indicates “00” and annunciation continues.

5) The lock is manually reset by built-in key (K) or optional wall mount keypad or keyswitch (see page XX)

6) The door will unlock upon signal from the fire life safety system or power loss. Auto Power-Up: Lock will re-arm automatically when power is restored and fire alarm system is reset.

Manual Power Up: Lock is re-armed by manual means only at the door by key reset (K) or optional wall mounted reset keypad or keyswitch (see page 8)

## CODE COMPLIANCE

- NC - California Building Code
- ND, NH - NFPA 101 • IBC • IFC

### STANDARD MODELS

**1511S ND K V** Single

**1511T ND K V** Tandem

### ND OPERATION

1) When the door is closed, latched, and the lock is energized, “15” is displayed indicating the door is secure.

2) Applying pressure and retracting the door latch activates a warning tone and digital display countdown. If the door is released in 1 second, the warning tone stops and the door stays locked.

Non-Latching Glass doors: Activation by PSB560 Exit Sense Bar (see page XX)

3) When activation exceeds the nuisance time of 1 second an irreversible process begins that will unlock the door in 14 seconds. The voice message, tone and countdown annunciation continue.

#### MALE VOICE WITH SECURITY MESSAGE

Tone....“Exit in twelve seconds,  
Security has been alerted”

Tone....“Exit in five seconds”

Tone....“Exit now”, Tone....“Exit now”

#### FEMALE VOICE WITH SAFETY MESSAGE

Tone....“Exit in twelve seconds,  
Facility Staff has been notified”

Tone....“Exit in five seconds”

Tone....“Exit now”, Tone....“Exit now”

#### STONE ONLY (IN LIEU OF MESSAGE)

Activation: Short beeps

Lock Release: Long beeps

4) The door unlocks when 15 seconds has elapsed, the digital display indicates “00” and annunciation continues.

5) The lock is manually reset by the built-in key (K) or optional wall mounted keypad or keyswitch (see page XX).

6) The door will unlock upon signal from the fire life safety system or power loss.

Auto Power-Up: Lock will re-arm automatically when power is restored and fire alarm system is reset.

Manual Power-Up: Per California Building Code, lock is re-armed by manual means at the door by key reset (K) or optional wall mounted reset keypad or keyswitch (see page 8)

## CODE COMPLIANCE

- BD, BH - BOCA, National Building Code
- BC - Chicago Building Code

### STANDARD MODELS

**1511S BD K V** Single

**1511T BD K V** Tandem

### BD OPERATION

1) When the door is closed, latched and the lock is energized, “15” is displayed indicating the door is secure.

2) Applying pressure and retracting the door latch activates a warning tone and digital display countdown. If the door is released in 1 second, the warning tone stops and the door stays locked.

Non-Latching Glass doors: Activation by PSB560 Exit Sense Bar (see page XX)

3) When activation exceeds 1 second, an irreversible process begins that will unlock the door in 14 seconds. The voice message, tone and countdown annunciation continue.

#### MALE VOICE WITH SECURITY MESSAGE

Tone....“Exit in twelve seconds,  
Security has been alerted”

Tone....“Exit in five seconds”

Tone....“Exit now”, Tone....“Exit now”

#### FEMALE VOICE WITH SAFETY MESSAGE

Tone....“Exit in twelve seconds,  
Facility Staff has been notified”

Tone....“Exit in five seconds”

Tone....“Exit now”, Tone....“Exit now”

#### STONE ONLY (IN LIEU OF MESSAGE)

Activation: Short beeps

Lock Release: Long beeps

4) The door unlocks when 15 seconds has elapsed, the digital display indicates “00” and annunciation continues.

5) The door must be opened and then closed for 30 seconds before the lock automatically re-locks and annunciation stops. Reopening of the door before the end of the 30 second re-locking cycle will restart the 30 second re-locking cycle.

Manual reset not available.

6) Built-in key (K) or optional wall mounted keypad or keyswitch (see page 8) provide timed or maintained bypass.

7) The door will unlock upon signal from the fire life safety system or power loss.

## HOW TO ORDER

- 1 | SPECIFY MODEL**
- 1511S** Single, For use with single doors
  - 1511T** Tandem, Activating either door unlocks both doors. For use with pairs of doors

### 2 | SPECIFY OPERATION MODE

If no Operation Mode is specified,  
**NA** is the SDC **Standard** Supplied Code Setting

#### NA NFPA 101, IBC, IFC, UBC Compliant

- Field selectable 15 or 30 second exit delay and 1 or 2 second nuisance delay
- Field selectable automatic or manual power-up after power loss or emergency release
- Manual Reset

#### NC NFPA 101, IBC, IFC, UBC, CBC (OSHPD) Compliant

- Fixed 15 second exit delay
- Field selectable 0 or 1 second nuisance delay
- Fixed manual power-up after power loss or emergency release
- Manual Reset

#### ND & NFPA 101, IBC, IFC, UBC

- NH**
- ND - Fixed 15 second exit delay and field selectable 0 or 1 second nuisance delay
  - NH - Fixed 30 second exit delay and field selectable 0 or 1 second nuisance delay
  - Field selectable automatic or manual power-up after emergency release
  - Manual Reset

#### BD & BOCA Building Code

- BH**
- BD - Fixed 15 second exit delay
  - BH - Fixed 30 second exit delay
  - Field selectable 0 or 1 second nuisance delay
  - Field selectable automatic or manual power-up after emergency release
  - Manual or Auto Reset 30 seconds after door closure. Auto reset is retrigged if door opens before 30 seconds

#### BC City of Chicago Building code

- Fixed 15 second exit delay
- Fixed 0 second nuisance delay
- Field selectable automatic or manual power-up after emergency release
- Manual or Auto Reset 30 seconds after door closure. Auto reset is retrigged if door opens before 30 seconds

### 3 | SPECIFY BUILT-IN RESET AND CONTROL

- K** Built in key switch. Provides 1-30 second timed bypass, sustained bypass and alarm reset (standard).
- P** Built in reset push switch. Available with NFPA (NA) only.
- L** Less key or push switch

### 4 | SPECIFY FINISH

#### Anodized Finishes

- V** 628 Aluminum (standard)
- Y** 335 Black

#### Special Plated Finishes

- P** 625 Bright Chrome
- Q** 626 Dull Chrome

#### Powder Coat Finishes

- X** Dark Brown Powder Coat
- C** Brass Powder Coat

### 5 | SPECIFY LOCK OPTIONS

#### E Energy Saver

1200 lbs holding force, low power consumption.  
See page 3 for full electrical specifications

#### D Door Position Status

Provides remote monitoring of the door open or closed status and indicates the door has actually been opened for egress after alarm activation. (Specify 2 for tandem)

#### B Magnetic Bond Alert Sensor

Indicates locked with full holding power or unlocked, reduced holding power, tampering or foreign material between the electromagnet and armature. (Specify 2 for tandem)

#### A Anti-tamper Switch

Detects attempt to remove the access cover. (Specify 2 for tandem)

### 6 | SPECIFY PROGRAMMING OPTIONS

#### VI One Language or Bilingual

Spanish, or English and Spanish, verbal notification.

#### VIC Custom Verbal Announcement

(10 piece purchase minimum) POA

#### RRX Reset on REX

Allows the REX input to reset after an unauthorized egress alarm.  
**Not available for NC operation**

## ACCESSORIES [see page 8 for more accessories](#)

### 101-SP External 15 Watt Speaker

Connects directly to 1511S or 1511T for enhanced decibels of onsite or remote voice message annunciation. Speaker driver may be provided by others for extreme decibel requirements.



### 101-SPSN Remote Single Gang Annunciator

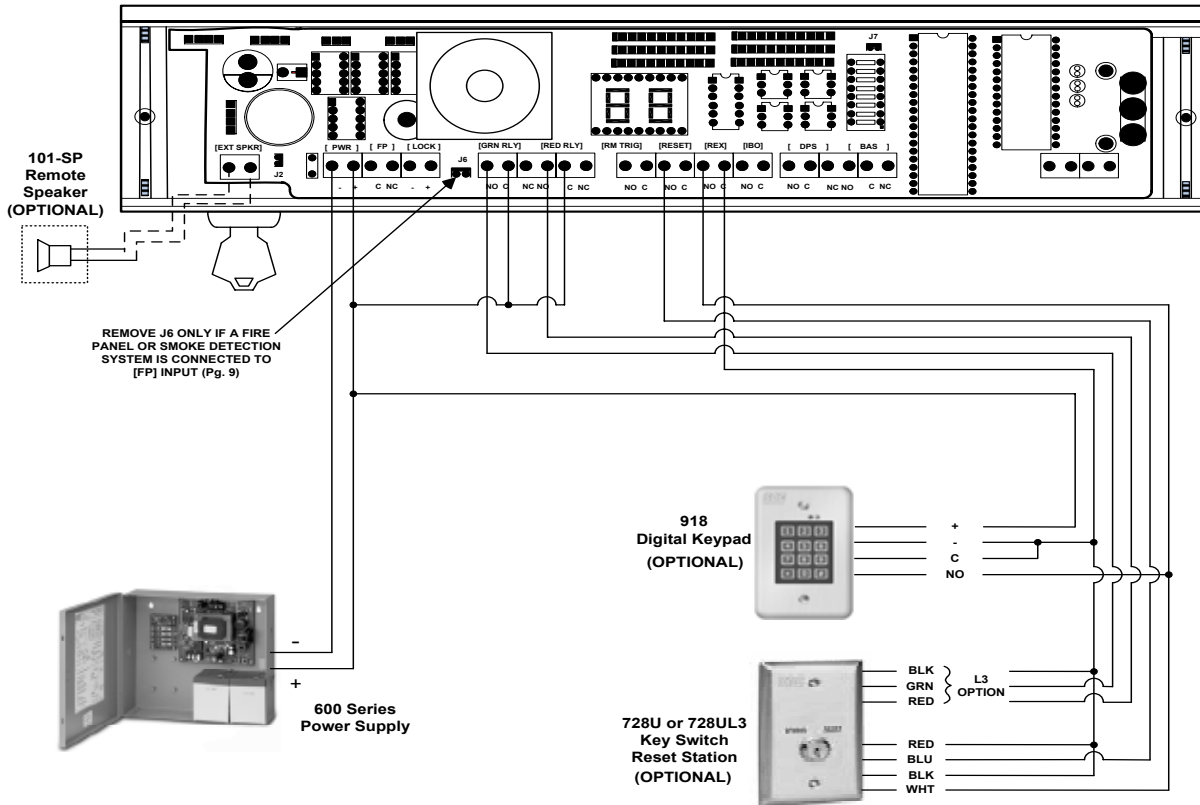
Speaker and 80db tone. Duplicates ExitCheck voice message or tone.



### EA100 Multi-Mode Visual Exit Annunciator Bar

Interfaces with Delayed Egress devices for forced entry or unauthorized exit signaling. Highly visible from any angle due to multi-color LED lights with rolling signal.





**Infant and Pediatric Protection & Wandering Patient System Application**

The Exit Check is unlocked when in maintained bypass or momentary bypass (access/REX) mode. When a tagged patient walks near or infant carried towards the door protection system sends a signal to the Exit Check®, locking the door immediately. Should a person then initiate unauthorized egress, the Exit Check® will provide voice and tone announcement and delay egress for 15 or 30 seconds.

Instant bypass override

**Protection System**

**Keypad In Lieu of Built-In Keyswitch**

Eliminates Problem of Lost Keys, Easy To Reach for Reset, Bypass And Authorized Exit. See 920 keypad page 6. Note: Contact SDC for Wiring instructions

**920 Keypad**

**Egress Bar & Exit Device Trigger**

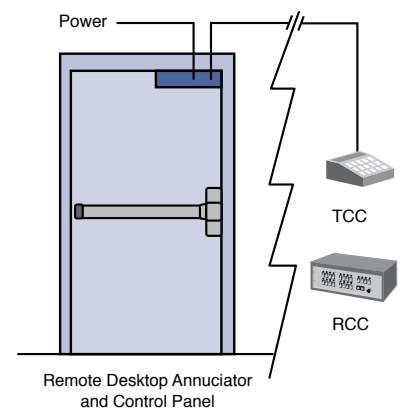
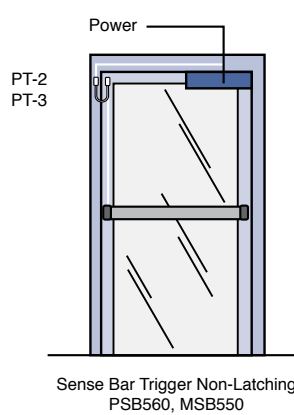
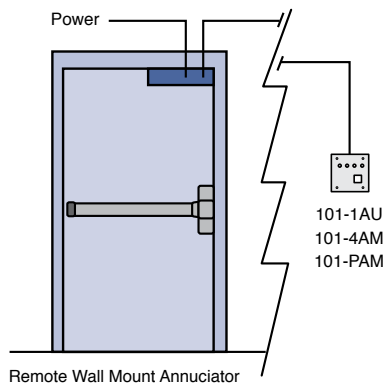
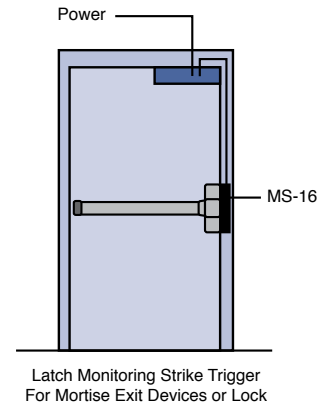
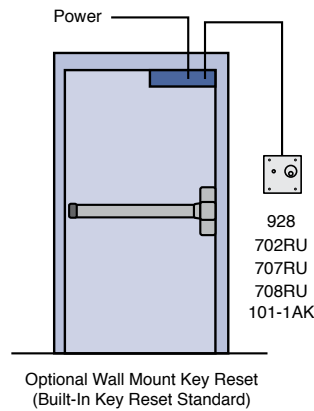
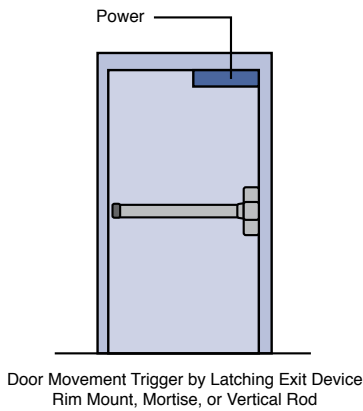
PSB560, MSB550 non-latching bars  
Exit Bar Switch Kits for latching exit devices

See terminal block above

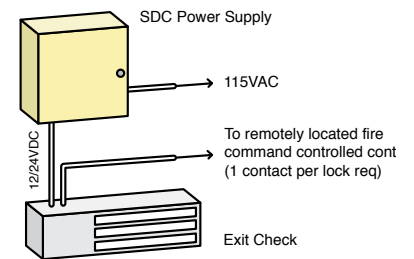
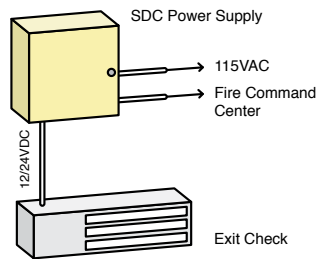
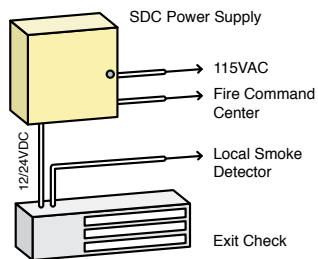
Note:  
Set DIP switch No. 5 to "Remote" position

Terminal Board Connections								Monitoring Options			
POWER IN	FP	AUX LOCK OUTPUT	GRN RLY	RED RLY	REMOTE	RESET	REX	INSTANT BYPASS OVERRIDE	DPS	BAS	ATS
- +	C NC	- +	NO C NC	NO C NC	NO C	NO C	NO C	NO C	NO C NC	NO C NC	NO C NC
AUTO SENSING 12/24 VDC INPUT	TO CLOSED FIRE CONTACT (REMOVE J6 WHEN USED)	SLAVE / TANDEM LOCK CONTROL OUTPUT	LOCK SECURE OUTPUT	ALARM OUTPUT	EXTERNAL TRIGGER SWITCH INPUT	EXTERNAL RESET SWITCH INPUT	REQUEST TO EXIT INPUT	INSTANT LOCKING FEATURE	DOOR POSITION OUTPUT	MAGNETIC BOND ALERT OUTPUT	ANTI TAMPER OUTPUT

## COMPONENT CONSIDERATIONS



## EMERGENCY RELEASE MODES



### DUAL EMERGENCY RELEASE

SDC 600 Series Power Supply and Integrated Lock Emergency Release

- Field Selectable Lock Auto Reset or Lock Manual Key Reset
- Field Selectable Power Supply Output
- Automatic reset standard, see \*MR option for manual reset.

### SDC 600 SERIES POWER SUPPLY EMERGENCY RELEASE

- Field Selectable Lock Auto Reset or Lock Manual Key Reset
- Field Selectable Power Supply Output
- Automatic reset standard, see \*MR option for manual reset.

### INTEGRATED LOCK EMERGENCY RELEASE

- Field Selectable Lock Auto Reset or Lock Manual Key Reset
- Field Selectable Power Supply Output
- Automatic reset standard, see \*MR option for manual reset.

**STATION CONTROLS AND ANNUNCIATORS**

While the Exit Check® is equipped with a standard built-in key switch for reset and bypass functions, wall mounted stations provide for convenient alarm reset, sustained bypass or timed bypass.

Remote annunciators provide quick identification of activated openings, enabling security or care personnel to respond rapidly. Annunciators are equipped with an audible alarm and each station is identified by one tri-color LED that identifies specific mode status.

Secure -Green  
 Activation - Amber x Audible Tone  
 Unlocked - Red x Audible Tone



**MODELS**

- 920** Keypad (see page 3)
- 702RU** Alarm Reset & Manual Power-Up Key Switch
- 708RU** Alarm Reset, Manual Power Up & Bypass Key Switch



**101-1A**  
 The single station annunciator is equipped with a tri-color LED and audible alarm.



**101-PAM**  
 Visual and audible annunciation, timed access, sustained bypass, and audible mute.



**101-AK**  
 Visual and audible annunciation and key switch for alarm reset, manual power up and sustained bypass.



**101-4AM**  
 Provides visual and audible annunciation with audible mute for two, three or four openings.

**CONSOLES, DESKTOP AND RACK MOUNT**

SDC control and annunciator panels provide remote annunciation of multiple openings. Stations are specified in sets of four. Control switches are also available and capable of providing both sustained bypass and timed unlocking of individual doors. Consult the factory or refer to SDC control console datasheets for additional specifications.



**TCC** Desk Top  
 Stations: 4, 8 & 12



**RCC** Rack Mount  
 Stations: 4 - 20



**CAB** Desk Top  
 Cabinet

**MODELS**

- CAB7:** Accommodates 1 RCC
- CAB12:** Accommodates 2 RCC

**LATCH STRIKES TRIGGER**

**MODELS**

- MS-16** For mortise latch, reversible
  - Fits 4.875" Strike (provided by others)
  - Gap & alignment adj.
  - SPDT, 5 Amps @ 30VDC



**SURE EXIT REQUEST-TO-EXIT**

The Sure Exit is a non-latching, heavy duty, request-to-exit push bar that will activate the Exit Check® when slight pressure is applied to the bar.



Stainless steel and brass optional 36" is standard. For wider doors specify 42" or 48". May be field cut.

**SPECIFICATIONS**

<b>Voltage Input</b>	12/24VDC
<b>Current</b>	20 mA at rest, 115 mA active
<b>Lock Output</b>	Two, SPDT Dry, 3 Amp @ 28VDC
<b>Operating Temperature</b>	0° - 150° F

**EXIT DEVICE SWITCH KITS**

Switch kits are field installed in the inactive hinge pad of rim mount exit devices, mortise exit devices, concealed vertical rod exit devices and surface vertical rod exit devices.



**MODEL MAKE & MODEL TO BE MODIFIED**

- 00510** Von Duprin 33, 35, 98, 99
- 00510-2** Von Duprin 33, 35, 98, 99 DPDT
- 00511** Von Duprin 55
- 00512** Von Duprin 88
- 00514** Dor-O-Matic 990, 1090, 1990, 2090
- 00516** Sargent 9600, 9700, 9800, 9900
- 00517** Adams Rite 8300, 8400, 8700, 8800
- 00518** Precision Apex Series 1100
- 00518A** Precision Apex Series 2100 - 2800
- 00519** Jackson 1095
- 00519-2** Jackson 1095 DPDT
- 00521** Corbin 7000
- 00525** Monarch 18 and 19
- 00527** Sargent 80
- 00527-2** Sargent 80 DPDT
- 00528** Sargent 20/60 and Yale 2100
- 00531** Yale 7000 (Dogging mechanism required)
- 00535** Kawneer Mid Panel Line Dor-O-Matic 1390
- 00540** Arrow 53/5400 series
- 00542** Hager 4700
- 00590** Dor-o-Matic 1690