

S6000 Spectra™ Exit Devices

**SPECTRA CLASS - SPECIFICATION GRADE EXIT DEVICES
FOR SUPERIOR ARCHITECTURAL STYLE & PERFORMANCE**

The new mechanical **SDC S6000 Spectra™ Series** panic and fire rated exit devices are available in rim mount, mortise and surface vertical rod configurations. Spectra Class mechanical exit devices are UL listed and ANSI A156.3 Grade 1 compliant and comply with all national and state building and fire life safety codes. The SDC Spectra series exit devices have a modern look and quiet push pad operation. Various Electric Options are also available to complement your system.



DELAYED EGRESS



EXIT ALARM



ELECTRIC FRAME ACTUATOR



ELECTRIC LATCH RETRACTION



- Panic and fire exit hardware
- ANSI/BHMA A156.3-2001 Grade 1 Compliant
- CA Title 19 Compliant
- Meets/Exceeds ADA requirements
- UBC 97, Standard 7.2

Patents # US 8,851,530

- Panic & Fire Exit Hardware
- ANSI/BHMA A156.3 Grade 1

S6000 Spectra™ Series

Specification Grade Exit Devices

The mechanical **SDC S6000 Spectra™ Series** panic and fire rated exit devices have a modern look and quiet push pad operation and are available in rim mount, mortise and surface vertical rod configurations. Spectra Class mechanical exit devices are UL listed and ANSI A156.3 Grade 1 compliant and comply with all national and state building and fire life safety codes.



MODELS

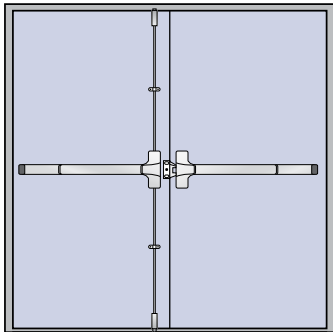
- S6100** Rim Mount
- S6200** SVR Surface Vertical Rod
- S6300** Mortise



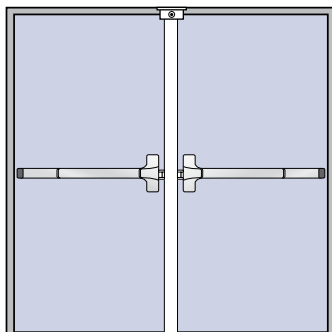
APPLICATIONS

- RHR or LHR Hollow Metal, Wood and Mineral Core Doors
- 1-3/4" Door Thickness Standard Specify Thickness Other Than 1-3/4"

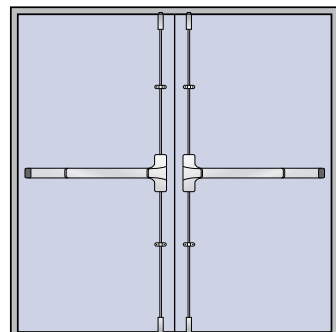
DOUBLE DOOR APPLICATIONS



Rim Device and SVR Device combination - same direction. Overlapping astragal is not required, but coordinator required with a double door strike.



Two Rim Devices on 2 independent active doors with removable mullion.



Two Surface Vertical Rod (SVR) - same direction. Overlapping astragal is not required.



S6100 RIM MOUNT EXIT DEVICES

For use on single doors or pair of doors with mullion (minimum stile width of 4-1/2")

SPECIFICATIONS

Latch Bolt	Stainless Steel, 3/4" Throw
Dead Latch	Deadlocking, Stainless Steel, 5/8" Throw
Strike	Stainless Steel

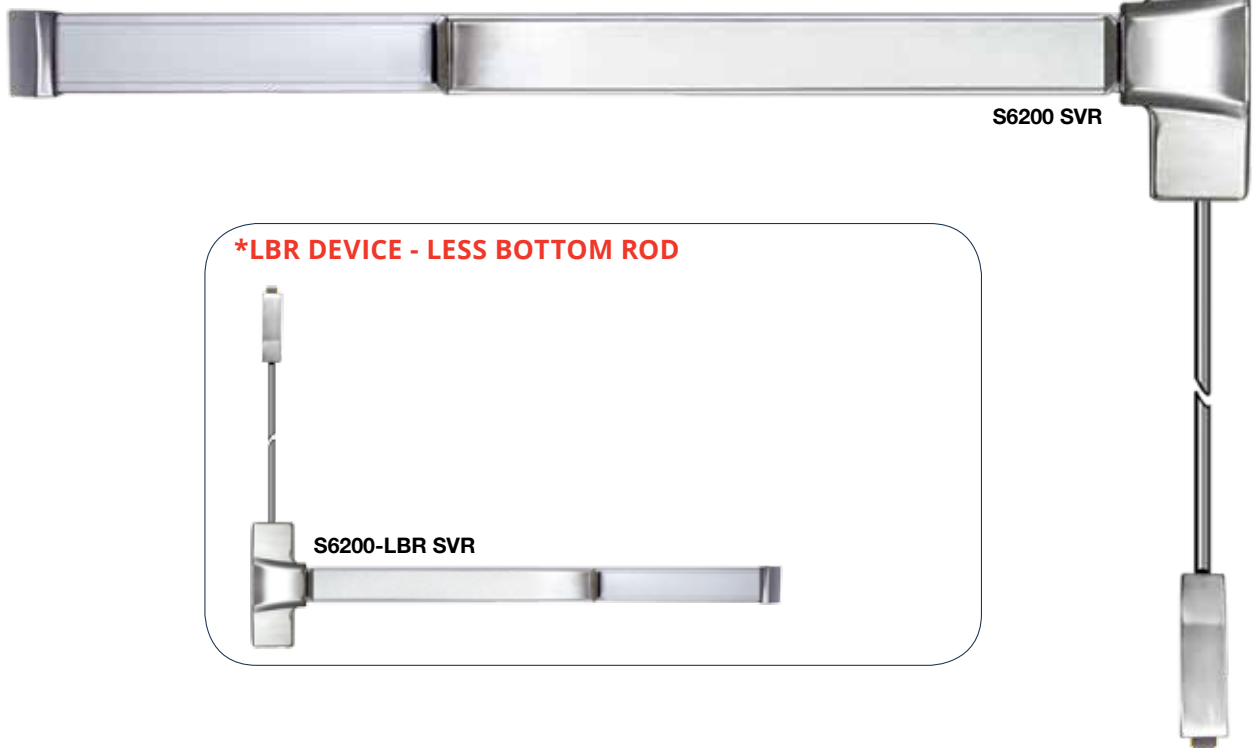


S6200 SURFACE VERTICAL ROD EXIT DEVICES*

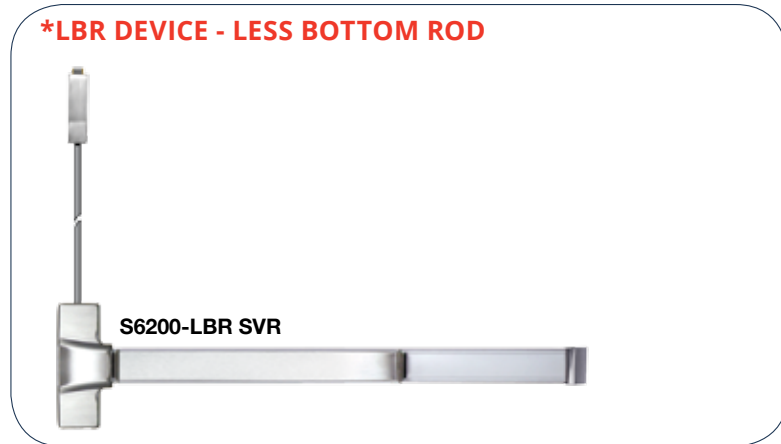
For use on single doors or pair of doors
(minimum stile width of 4-1/2")

SPECIFICATIONS

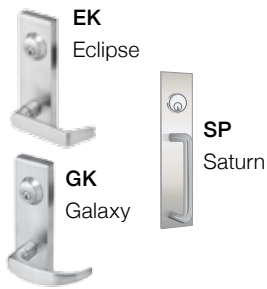
Top Latch	Stainless Steel, 37/64"	Latch Case Covers	Steel, Stainless Steel or Brass
Top Strike	Included	Vertical Rods	Aluminum Tube
Bottom Latch	Stainless Steel, 37/64"	Standard Height	for 7'0" Doors
Bottom Strike	Included		



*LBR DEVICE - LESS BOTTOM ROD



MECHANICAL TRIM



Available Trim Function

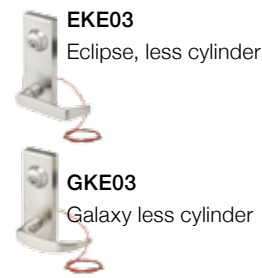
Dummy Trim: **EK02, GK02, SP02**

Key Retracts Latchbolt: **EK03, GK03, SP03**

Key Locks/Unlocks Lever: **EK08, GK08**

No Cylinder Lever Always Active: **EK14, GK14**

ELECTRIC TRIM



Features

- Failsecure, field reversible to failsafe
- 4 ft. cable and connectors
- 12/24VDC @ 600/300 mA

PRODUCT SKU SAMPLE: **S61 03 P U 36 R EK03 LS**

HOW TO ORDER RIM OR VERTICAL ROD DEVICE

1| SPECIFY MODEL

S61 Rim Mount

S62 SVR Surface Vertical Rod

2| SPECIFY FUNCTION

01 Exit only, No Trim

02 Dummy pull or lever (opens when dogged)

03 Lever or pull, key latch retraction

08 Lever with key locks/unlocks lever

14 Lever trim always active

3| SPECIFY PANIC OR FIRE RATED

P Panic Exit Device: Mechanical Dogging STD:
(See Part # CD for Optional Key Cylinder Dogging)

F Fire Exit Device: Mechanical Dogging Not Available

5| SPECIFY FINISH

Headcover, Touchpad and Endcap

U 630 Dull Stainless Steel Standard

6| SPECIFY LENGTH

36 For 36" Door

42 For 42" Door

48 For 48" Door

8| SPECIFY DEVICE OPTIONS

R Request-To-Exit Output, SPDT

L Latch Status Output, SPDT

FOR 62 SERIES DEVICES ONLY:

LBR Less Bottom Rod, for Panic Devices

LBRF Less Bottom Rod, for Fire Rated Devices

7| SPECIFY TRIM (OPTIONAL)

MECHANICAL



SPECIFY MECHANICAL TRIM FUNCTION

Dummy Trim: **EK02, GK02, SP02**

Key Retracts Latchbolt: **EK03, GK03, SP03**

Key Locks/Unlocks Lever: **EK08, GK08**

No Cylinder Lever Always Active: **EK14, GK14**

SPECIFY MECHANICAL TRIM FINISH

U 630 Dull Stainless Steel Standard

SPECIFY MECHANICAL TRIM OPTIONS:

Rim Cylinder Required for 03 function, Mortise Cylinder Required for 08 Function, CD Option, and S6300

CD Keyed Dogging. Specify Key Cylinder Separately. Not Available with (F) Fire Exit Device.

CYL-6KDQ 6 pin, 1.125" Mortise Cylinder, Keyed Different, Dull Chrome

CYL-6KAQ 6 pin, 1.125" Mortise Cylinder, Keyed Alike, Dull Chrome

CP01 6-pin Rim Cylinder, Keyed Different, Specifically For EK03, GK03 and SP03

ELECTRIC TRIM OPTIONAL

- Failsecure, Field Reversible to Failsafe
- 4 ft. Cable and Connectors
- 600/300 mA @ 12/24VDC



SPECIFY ELECTRIC TRIM OPTIONS

LS Locked/Unlocked Status, SPDT 3 Amp Contact

S6300 MORTISE EXIT DEVICE

For use on single doors or active leaf of double doors



SPECIFICATIONS

Lock Case	Steel Plated 6-1/16" x 3-15/16" x 29/32"	Auxiliary Deadlock Bolt	Non-Handed, Stainless Steel
Anti-Friction Latchbolt	3/4" Throw	Strike	ANSI 4-7/8"
Hand	Reversible without removing the lock from the door	Trim (Included)	Eclipse Escutcheon Galaxy Escutcheon



PRODUCT SKU SAMPLE: S63 03 P U 36 EE R



HOW TO ORDER MORTISE DEVICE

1| SPECIFY MODEL

S63 Mortise

2| SPECIFY FUNCTION

- 01** Exit only, No Trim
- 02** Dummy pull or lever (opens when dogged)
- 03** Lever or pull, key latch retraction
- 08** Lever with key locks/unlocks lever
- 14** Lever trim always active

3| SPECIFY PANIC OR FIRE RATED

- P** Panic Exit Device: Mechanical Dogging STD:
(See Part # CD for Optional Key Cylinder Dogging)
- F** Fire Exit Device: Mechanical Dogging Not Available

4| SPECIFY HAND

- RR** Right Hand Reverse Bevel, RHRB
- LR** Left Hand Reverse Bevel, LHRB

5| SPECIFY FINISH

Headcover, Touchpad and Endcap
U 630 Dull Stainless Steel Standard

6| SPECIFY LENGTH

- 36** For 36" Door
- 42** For 42" Door
- 48** For 48" Door

7| SPECIFY TRIM

- EE** Eclipse Escutcheon
- GE** Galaxy Escutcheon

8| SPECIFY DEVICE OPTIONS

- R** Request-To-Exit Output, SPDT
- L** Latch Status Output, SPDT

S6000 Spectra™ Series - S6000-101

Exit Check® - Delayed Egress All-In-One



The EXIT CHECK® ALL-IN-ONE device integrates our premium Spectra™ bar with SDC's innovative delayed egress electronics.

FEATURES

When unauthorized egress is initiated by depressing the push pad of the S6000-101, an audible alarm will sound and an irreversible delay period of 15 seconds will begin. After the delay period has expired, the device unlocks, permitting egress until the device is reset. In a life safety emergency, the device will immediately unlock upon loss of power or when powered by a fire control supervised power supply.

- Low Power consumption 540 mA @24VDC
- 15 second exit delay, 1 or 2 second nuisance delay
- Built-in Visual and Audible Annunciation
- Single or pair of doors
- Key reset, bypass (Mortise cylinder not included)
- Field-selectable 1 to 30 second request-to-exit, anti-tailgate and door prop alarm
- UL Listed



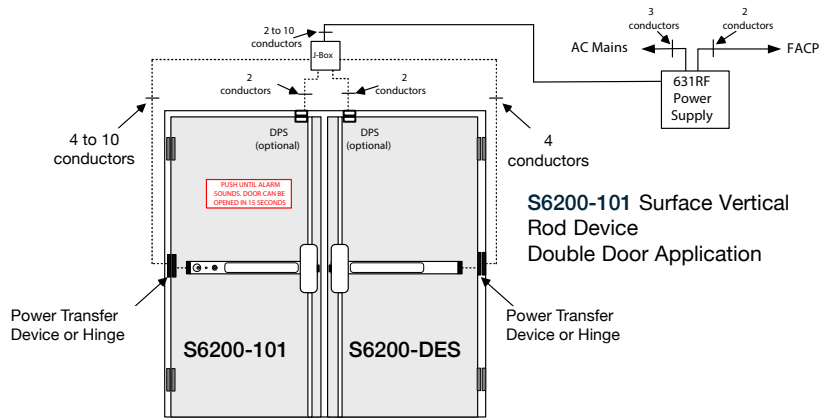
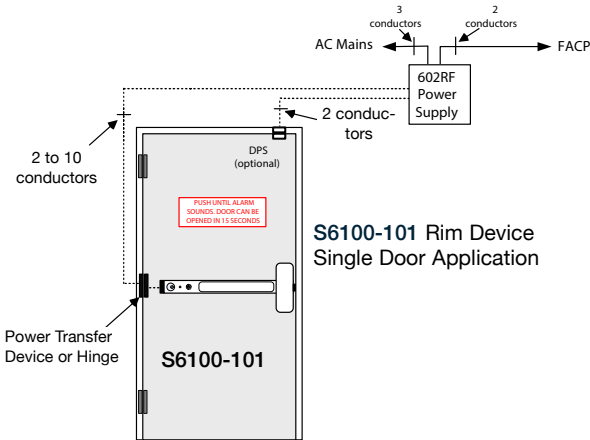
 **MODELS**

-  **S6100-101** Rim Mount
- S6200-101** Surface Vertical
- S6300-101** Mortise
- S6800-101** Concealed Vertical



APPLICATION

- Restricting the egress of wandering patients for their own safety
- Restricting the egress of commercial center patrons for security application needs
- Controlling pedestrian traffic in transportation facilities, including airport jetways and tarmacs
- Reducing shoplifting and employee theft



PRODUCT SKU SAMPLE: **S61 03 P U 36 101 NC EKE03U**

HOW TO ORDER

1| SPECIFY DEVICE

- S61** Rim Mount
- S62** Surface Vertical - ROD GUARDS SUGGESTED (by others)
- S63** Mortise [03 Lever Trim included] - specify: **EE/GE**
- S68** Concealed Vertical

2| SPECIFY FUNCTION

- 01** Exit Only (No Trim)
- 02** Dummy
- 03** Nightlatch Lever, Key Latch Retraction

3| SPECIFY PANIC OR FIRE RATED

- P** Panic
- F** Fire

3A| SPECIFY HAND (S63 MORTISE ONLY)

- LR** Left hand reverse bevel, LHRB
- RR** Right hand reverse bevel, RHRB

4| SPECIFY FINISH

- U** 630 Dull Stainless Steel (standard)

5| SPECIFY LENGTH

- 36** For 36" Doors (standard)
- 42** For 42" Doors
- 48** For 48" Doors

6| SPECIFY DELAYED EGRESS

- 101** Electrification of master exit device and integrated controller with key switch control and reset, less cylinder
- DES** For pair of doors, additional exit device equipped with delayed egress mechanism, less integrated controller. **Must be ordered together with 101 device.**

7| SPECIFY OPERATIONS

- NC** IBC, IFC, NFPA 101, NFPA 1-UFC, UBC,SBC Compliant
Fixed 15 exit delay, 1 or 2 second nuisance delay
Calif. Building Code OSHPD/Manual Power Up
- ND** IBC, IFC, NFPA 101, NFPA 1-UFC, UBC,SBC Compliant
Fixed 15 exit delay, 1 or 2 second nuisance delay
- BC** BOCA National Building Code and Chicago Building Compliant
15 second fixed exit delay, 0 second nuisance delay, auto reset 30 seconds after door closure
- BD** BOCA National Building Code
15 second fixed exit delay, 1 or 2 second nuisance delay, auto reset 30 seconds after door closure

8| SPECIFY TRIM (OPTIONAL)

S61 RIM, S62 SURFACE AND S68 CONCEALED VERTICAL ONLY

Mechanical Trim (less cylinder)

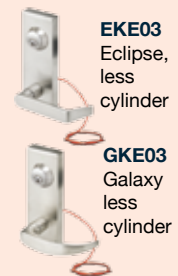
- EK02U** Dummy Eclipse Escutcheon
- GK02U** Dummy Galaxy Escutcheon
- EK03U** Eclipse Escutcheon
- GK03U** Galaxy Escutcheon



Electric Trim

- Failsecure, field reversible to failsafe
- 4 ft cable
- 600/300 mA @12/24VDC

- EKE03U** Eclipse style electric trim less mortise cylinder, Stainless Steel Finish
- GKE03U** Galaxy style electric trim less mortise cylinder, Stainless Steel Finish



- CP01** 6-pin Rim Cylinder, Keyed Different, Specifically For EK03, GK03 and SP03

S6000 Spectra™ Series - S6000-DE/KDE/DES Delayed Egress



DELAYED EGRESS

The delayed egress for the Spectra Exit Device is a 2-piece option. The master exit device is electrified and the wall mounted controller adds keypad control and key reset capabilities.



FEATURES

- Code Dependent Exit Delay and Nuisance Times
- Reset, Sustained Bypass and Momentary Bypass by Keypad or Optional Mortise Cylinder

MODELS

- DE** Electrification of Master Exit Device and Wall Mount Controller with Keypad Control & Reset
- KDE** Electrification of Master Exit Device and Wall Mount Controller with Both Keypad and Key Switch Control & Reset, Less Cylinder
- DES** for Pair of Doors, Additional Exit Device Equipped with Delayed Egress Mechanism, Less Controller.
MUST BE ORDERED TOGETHER WITH DE AND DEVICE

SPECIFICATIONS

Exit Delay	15 or 30-Second Exit Delay (Code Dependent)
Nuisance Delay	1 or 2 Second Delay
Voice Annunciation	Digital Countdown Display with Door Indicator
Power Requirements	Single: 24VDC @ 430mA Tandem: 24VDC @ 600mA



HOW TO ORDER:

1| SPECIFY MODEL

- S61** Rim Mount
 - S62** SVR Surface Vertical Rod
 - S63** Mortise (03 Lever trim included)
- Specify: **EE/GE** Eclipse or Galaxy Escutcheon

2| SPECIFY FUNCTION

- 01** Exit Only
- 02** Dummy
- 03** Nightlatch

3| SPECIFY PANIC OR FIRE RATED

- P** Panic Exit Device
- F** Fire Exit Device

4| SPECIFY HAND (FOR S63 ONLY)

- RR** Right Hand Reverse Bevel, RHRB
- LR** Left Hand Reverse Bevel, LHRB

5| SPECIFY FINISH

- U** 630 Dull Stainless Steel

6| SPECIFY LENGTH

- 36** For 36" Door
- 42** For 42" Door
- 48** For 48" Door

7| SPECIFY CONTROLLER

- DE** Electrification of Master Exit Device and Wall Mount Controller with Keypad Control & Reset
- KDE** Electrification of Master Exit Device and Wall Mount Controller with Both Keypad and Key Switch Control & Reset, Less Cylinder
- DES** for Pair of Doors, Additional Exit Device Equipped with Delayed Egress Mechanism, Less Controller. Must be Ordered Together with DE/KDE Device.



8| SPECIFY OPERATION

- NA** IBC, IFC, NFPA Compliant, Field Selectable 15 to 30 Second Exit Delay, 1 or 2 Nuisance Delay
- NC** IBC, IFC, NFPA 101, NFPA 1-UFC, UBC, SBC Compliant, Fixed 15 Second Exit Delay, 0/1 Nuisance Delay, Calif. Building Code OSHPD/Manual Power Up
- ND** IBC, IFC, NFPA 101, NFPA 1-UFC, UBC, SBC Compliant, Fixed 15 second Exit Delay, 0/1 Nuisance Delay
- BC** BOCA National Building Code/City of Chicago Compliant, Fixed 15 Second Exit Delay, 0 Nuisance Delay, Auto Reset 30 Seconds
- BD** BOCA National Building Code, Fixed 15 Second Exit Delay, 0/1 Nuisance Delay, Auto Reset 30 seconds

9| SPECIFY TRIM

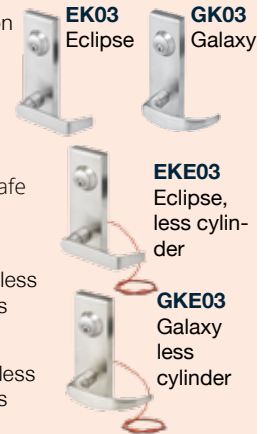
FOR MORTISE S63 ONLY

- EE** Eclipse Escutcheon
- GE** Galaxy Escutcheon

9| SPECIFY TRIM (OPTIONAL) RIM, SURFACE ONLY

Mechanical Trim (less cylinder)

- EK02U** Dummy Eclipse Escutcheon
- GK02U** Dummy Galaxy Escutcheon
- EK03U** Eclipse Escutcheon
- GK03U** Galaxy Escutcheon



Electric Trim

- Failsecure, field reversible to failsafe
- 4 ft cable
- 600/300 mA @12/24VDC

EKE03U Eclipse style electric trim less mortise cylinder, Stainless Steel Finish

GKE03U Galaxy style electric trim less mortise cylinder, Stainless Steel Finish

CP01 6-pin Rim Cylinder, Keyed Different, Specifically For EK03, GK03 and SP03

10| SPECIFY OPTIONS FOR CONTROLLER

- DEC-J** 3 Gang Interior-101-DEC
- SHD-J** Shroud for Outdoor Use DEC-J



ACCESSORIES

- PTH-4Q** Four Wire, Dull Chrome
- PTH-4QDPS** Four Wire w/DPS, Dull Chrome
- PTH-10Q** Ten Wire, Dull Chrome

MC-4PAK
Frame Mounted DPS -
10 pack



- PTM-10AL** Ten Wire Aluminum Powder Coat, US28 equivalent
- PTM-10BZ** Ten Wire Aluminum Powder Coat, US10B equivalent, Dark Brown Powder Coat



S6000 Spectra™ Series - S6000-A/B

Alarmed Exit



ALARMED EXIT

Audible alarm and multi-colored LED provide alert to emergency egress. A field selectable alarm mode includes continuous alarm with manual key reset; or automatic rearm of alarm 2 min after door closes and may be retriggered. May be manually rearmed by key before automatically rearmed.



FEATURES

- 100 dB Alarm; Visual and Audible On/Off Status:
 - Armed - Green LED Blinks Every 4 Seconds
 - Alarm Mode - Red LED, Bypass - No LED
- Remote Status Output
- Remote Inhibit

SPECIFICATIONS

Arming Delay 15 or 60 Seconds

2 Modes:
Continuous Alarm: with Manual Key Reset
Automatic Re-Arm: 2 Minutes After Door Closes or Manual Key Reset Before 2 Minutes

MODELS

- A** Exit Alarm, 9V Battery Powered
- B** Exit Alarm, 12-24V AC/DC Input, 9V Battery Backup



HOW TO ORDER:

1| SPECIFY MODEL

- S61** Rim Mount
- S62** SVR Surface Vertical Rod
- S63** Mortise (03 Lever trim included)
Specify: **EE/GE** Eclipse or Galaxy Escutcheon

2| SPECIFY FUNCTION

- 01** Exit Only
- 03** Nightlatch, Lever, Key Latch Retraction

3| SPECIFY PANIC OR FIRE RATED

- P** Panic Exit Device
- F** Fire Exit Device

4| SPECIFY HAND (FOR S63 ONLY)

- RR** Right Hand Reverse Bevel, RHRB
- LR** Left Hand Reverse Bevel, LHRB

5| SPECIFY FINISH

- U** 630 Dull Stainless Steel

6| SPECIFY LENGTH

- 36** For 36" Door
- 42** For 42" Door
- 48** For 48" Door

7| SPECIFY EXIT ALARM

- A** Exit Alarm, 9V Battery Powered
- B** Exit Alarm with 12/24V AC/DC Input
(9V Battery provides power backup)

Options:

- AR6** 6 or 10 Minute Alarm with Auto Rearm and Manual Key Reset
- AD1** 1 Second Arming Delay
- AR20** 20 Minute Alarm with Auto Rearm and Manual Key Reset

8| SPECIFY TRIM

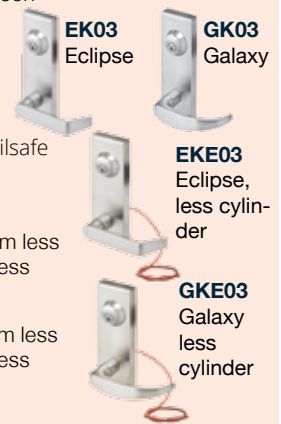
FOR MORTISE S63 ONLY

- EE** Eclipse Escutcheon
- GE** Galaxy Escutcheon

8| SPECIFY TRIM (OPTIONAL) RIM, SURFACE ONLY

Mechanical Trim (less cylinder)

- EK02U** Dummy Eclipse Escutcheon
- GK02U** Dummy Galaxy Escutcheon
- EK03U** Eclipse Escutcheon
- GK03U** Galaxy Escutcheon



Electric Trim

- Failsecure, field reversible to failsafe
- 4 ft cable
- 600/300 mA @12/24VDC

EKE03U Eclipse style electric trim less mortise cylinder, Stainless Steel Finish

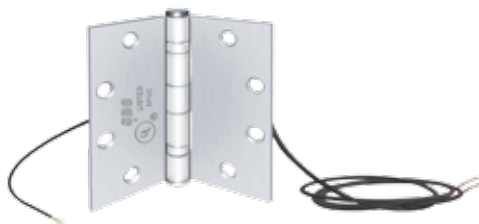
GKE03U Galaxy style electric trim less mortise cylinder, Stainless Steel Finish

CP01 6-pin Rim Cylinder, Keyed Different, Specifically For EK03, GK03 and SP03

ACCESSORIES

PTH-4Q Four Wire, Dull Chrome

PTH-10Q Ten Wire, Dull Chrome



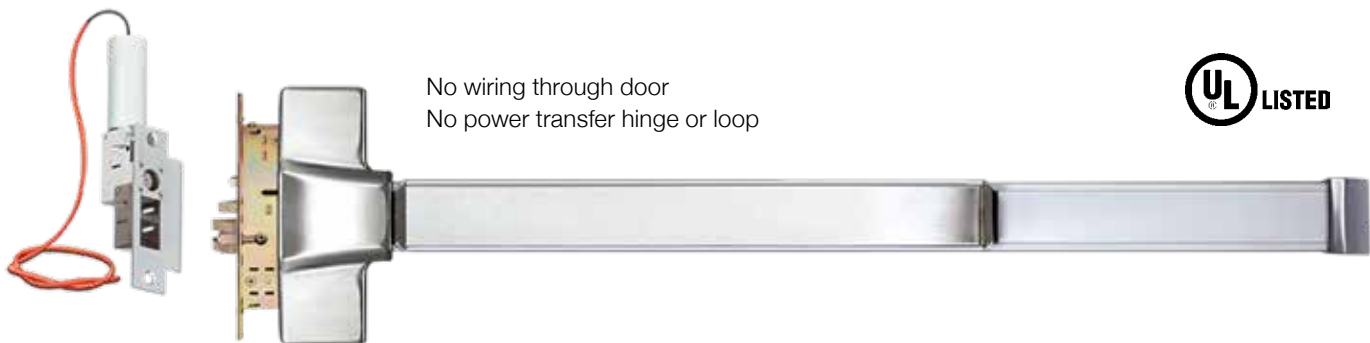
PTM-2AL Aluminum Powder Coat, US28 equivalent

PTM-2BZ Dark Brown Powder Coat, US10B equivalent



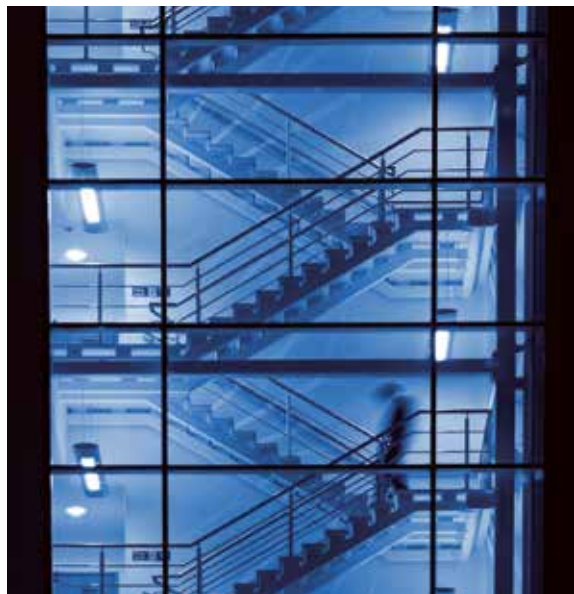
S6000 Spectra™ Series - S6303FH

HiTower Pro® Frame Actuator Controlled Mortise Exit Device



ELECTRIC FRAME ACTUATOR CONTROLLED EXIT DEVICE

Incorporating the SDC patented HiTower® frame actuator to control the locking and unlocking of the door. Features include failsafe operation and unlocks by access control, power loss or signal from fire command center. Door stays latched even when unlocked. All wiring is maintained in the strike jamb. Complies with national building and fire codes.



FEATURES

- Fire Rated Exit Device
- Failsafe (Unlocks by access control, power loss or signal from fire command center.)
- For Use with Fire Rated Exit & Stairwell Doors
- Door Stays Latched Even when Unlocked
- All Wiring is Maintained in The Strike Jamb
- Complies with National Building and Fire Codes
- No Power Hinge

MODELS

S6303FH Fire Rated Mortise Exit Device with Electric Frame Actuator, Key Retracts Latch

SPECIFICATIONS

Voltage 24VDC, 24VAC or 115VAC





HOW TO ORDER:

1| SPECIFY MODEL

S6303FH Fire Rated Mortise Exit Device with Electric Frame Actuator, Key Retracts Latch

2| SPECIFY ACTUATOR VOLTAGE & FRAME SIZE FAILSAFE ACTUATOR FOR 1-3/4" TO 2" FACE FRAMES

- A** 115VAC 0.2 Amp
- B** 24VAC 0.5 Amp
- C** 24VDC 0.5 Amp

FAILSAFE ACTUATOR FOR 1-1/4" TO 1-1/2" FACE FRAMES

- D** 115VAC 0.2 Amp
- E** 24VAC 0.5 Amp
- F** 24VDC 0.5 Amp

3| SPECIFY HAND

- RR** Right Hand Reverse Bevel, RHRB
- LR** Left Hand Reverse Bevel, LHRB

4| SPECIFY LENGTH

- 36** For 36" Door
- 42** For 42" Door
- 48** For 48" Door

5| SPECIFY HEAD COVER & PUSH PAD FINISH (Push Bar Base Finish Anodized Aluminum)

- U** 630 Dull Stainless Steel

6| SPECIFY OPTIONAL STATUS OUTPUTS

- L** Latch Position Status Output, SPDT, 3 Amp
- S** Latch & Deadlocked Status Output, SPDT, 3 Amp
- SC-10** Socket Connectors with 10 ft. Cable, Power Wiring Only
- SC-10-5** Socket Connectors with 10 ft. Cable for Power and Options L or S

7 SPECIFY TRIM

- EE03** Eclipse x Escutcheon
- E03** Eclipse
- GE03** Galaxy x Escutcheon
- G03** Galaxy
- NE03** Nova x Escutcheon
- N03** Nova



8| SPECIFY TRIM FINISH

- U** 630 Dull Stainless Steel (Standard)

9| SPECIFY KEY CYLINDERS AND OPTIONAL HARDWARE (OPTIONAL)

- CYL-6KDQ** 6 Pin, 1.125" Mortise Cylinder, Keyed different, Dull Chrome
- CYL-6KAQ** 6 Pin, 1.125" Mortise Cylinder, Keyed alike, Dull Chrome



ACCESSORIES

602RF 1 Amp, 24VDC Class 2 Output Power Supply
12" W x 12" H x 3.75" D Box

631RF 1.5 Amp, 24VDC Class 2 Output Power Supply
12" W x 12" H x 3.75" D Box



S6000 Spectra™ Series - S6300

Electric Mortise Exit Device



ELECTRIC MORTISE EXIT DEVICE

The SDC Brand electrified mortise exit device incorporating a clutch for vandal resistance and failsafe-failsecure function.



FEATURES

- Field Reversible Failsecure/Failsafe.
- Remains Latched When Unlocked for Fire Door Integrity
- Failsafe (F) Fire Rated Device for Stairwell Doors
- Power Loss or Signal from Fire Command Center Releases Failsafe Device Immediately
- Complies with National Building and Fire Codes

MODELS

- MS** Failsecure Electric Mortise Exit Device
- MF** Failsafe Electric Mortise Exit Device

SPECIFICATIONS

Voltage 600/300 mA @ 12/24VDC



 **HOW TO ORDER:**

1| SPECIFY MODEL

S63 Mortise

2| SPECIFY FUNCTION

01 Exit Only
03 Nightlatch

3| SPECIFY PANIC OR FIRE RATED

P Panic Exit Device
F Fire Exit Device

4| SPECIFY HAND

RR Right Hand Reverse Bevel, RHRB
LR Left Hand Reverse Bevel, LHRB

5| SPECIFY FINISH

U 630 Dull Stainless Steel (Standard)

6| SPECIFY LENGTH

36 For 36" Door
42 For 42" Door
48 For 48" Door

7| SPECIFY TRIM

EE Eclipse Escutcheon
GE Galaxy Escutcheon

8| SPECIFY FAILSAFE OR FAILSECURE

MF Failsafe Electric Mortise Exit Device
MS Failsecure Electric Mortise Exit Device

 **ACCESSORIES**

- PTM-2AL** Aluminum Powder Coat, US28 Equivalent
- PTM-2BZ** Dark Brown Powder Coat, US10B Equivalent
- PTM-10AL** Aluminum Powder Coat, US28 Equivalent
- PTM-10BZ** Dark Brown Powder Coat, US10B Equivalent



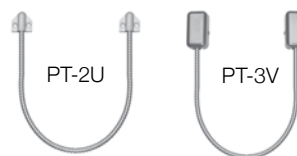
PT-5 Concealed Mortise Mount Power Transfer Loop



- PTH-4** Four Conductor Hinge, 1 Amp @ 12/24V per pair, 4.5" x 4.5" Five Knuckle Standard Weight
- PTH-10** Ten Conductor Hinge, 1 Amp @ 12/24V per pair, 4.5" x 4.5" Standard Weight



- PT-2U** With End Caps
- PT-3V** With Aluminum Wire Termination Box



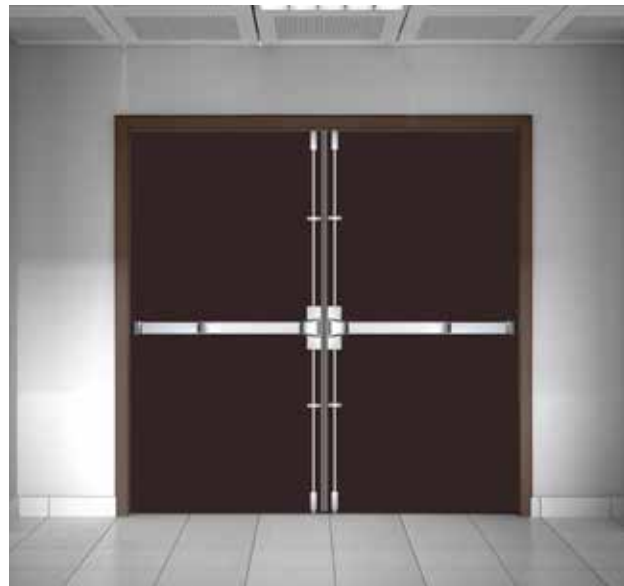
S6000 Spectra™ Series - S6000-G

Electric Dogging



ELECTRIC DOGGING

When energized by optional built-in key switch or remote switch manual, depressing the pushpad, causes the pushpad and latch to remain retracted (unlocked) providing push-pull door operation. When de-energized or signaled by a fire alarm, the pushpad and latch are released.



FEATURES

- Available for Fire Rated & Non Fire Rated Devices
- Built-In Optional Key Switch or Remote Switch enables Push-Pull Door Operation

MODELS

- **G** Electric Dogging
(Failsecure 6100, 6200, 6300)

SPECIFICATIONS

Voltage 170/100 mA @ 12/24VDC

Monitoring Available Latch Status and REX Output Available



HOW TO ORDER:

1| SPECIFY MODEL

S61 Rim Mount

S62 SVR Surface Vertical Rod

S63 Mortise (03 Lever trim included)

Specify: **EE/GE** Eclipse or Galaxy Escutcheon

2| SPECIFY FUNCTION

01 Exit Only

02 Dummy

03 Nightlatch

3| SPECIFY PANIC OR FIRE RATED

P Panic Exit Device

F Fire Exit Device

4| SPECIFY HAND (FOR S63 ONLY)

RR Right Hand Reverse Bevel, RHRB

LR Left Hand Reverse Bevel, LHRB

5| SPECIFY FINISH

U 630 Dull Stainless Steel

6| SPECIFY LENGTH

36 For 36" Door

42 For 42" Door

48 For 48" Door

7| SPECIFY ELECTRIC DOGGING

G Electric Dogging

Options:

KS Built-In Key Switch

L1 Dogged Status Indicator, Less Cylinder, Green = Dogged (Unlocked)

8| SPECIFY TRIM

FOR MORTISE S63 ONLY

EE Eclipse Escutcheon

GE Galaxy Escutcheon

9| SPECIFY TRIM (OPTIONAL) RIM S61 AND SURFACE S62 ONLY

Mechanical Trim (less cylinder)

EK02U Dummy Eclipse Escutcheon

GK02U Dummy Galaxy Escutcheon

EK03U Eclipse Escutcheon

GK03U Galaxy Escutcheon

Electric Trim

- Failsecure, field reversible to failsafe
- 4 ft cable
- 600/300 mA @12/24VDC

EKE03U Eclipse style electric trim less mortise cylinder, Stainless Steel Finish

GKE03U Galaxy style electric trim less mortise cylinder, Stainless Steel Finish

CP01 6-pin Rim Cylinder, Keyed Different, Specifically For EK03, GK03 and SP03



ACCESSORIES

PTH-4Q Four Wire, Dull Chrome Power Transfer Hinge

PTH-10Q Ten Wire, Dull Chrome Power Transfer Hinge



PTM-2AL Electric Power Transfer Device, Aluminum Powder Coat, US28 equivalent

PTM-2BZ Electric Power Transfer Device, Dark Brown Powder Coat, US10B equivalent



602RF 1 Amp, 12/24 VDC Class 2 Output Power Supply, 12" W x 12" H x 3.75" D Box

631RF 1.5 Amp, 12/24 VDC Class 2 Output Power Supply, 12" W x 12" H x 3.75" D Box

EMC 2 Station Door Sequencer
Each EMC provides interface and sequencing for two single or one double automatic door. Not required for manual doors.



S6000 Spectra™ Series - S6000-E/EM

Electric Latch Retraction and Dogging



ELECTRIC LATCH RETRACTION

Electric Latch Retraction enables electric access control and dogging of mechanical exit devices. When energized the motor retracts the exit device latch and pulls the pushpad on most devices into the dogged (depressed) position enabling momentary or sustained push and pull operation of the door.



FEATURES

- Choice of Internal or External Module Electric Latch Retraction and Dogging
- Use for Rim, Surface Vertical or Mortise Exit Devices

MODELS

- E** Dual Electric Latch Retraction/Dogging
- EM** External Module Dual Electric Latch Retraction/Dogging

SPECIFICATIONS

Operation	Momentary or Maintained Latch Bolt and Push Pad Retraction, with Simultaneous Dogging. Automatic Re-Triggering of Latch Retraction
Finish	Dull Stainless Steel
Voltage	24VDC @ 700 mA Activation, 200 mA Continuous



HOW TO ORDER:

1| SPECIFY MODEL

- S61** Rim Mount
- S62** SVR Surface Vertical Rod
- S63** Mortise (03 Lever trim included)
Specify: **EE/GE** Eclipse or Galaxy Escutcheon

2| SPECIFY FUNCTION

- 02** Dummy Lever or Pull
- 03** Nightlatch, Lever or Pull, Key Latch Retraction

3| SPECIFY PANIC OR FIRE RATED

- P** Panic Exit Device
- F** Fire Exit Device

4| SPECIFY HAND

- RR** Right Hand Reverse Bevel, RHRB
- LR** Left Hand Reverse Bevel, LHRB

5| SPECIFY FINISH

- U** 630 Dull Stainless Steel

6| SPECIFY LENGTH

- 36** For 36" Door
- 42** For 42" Door
- 48** For 48" Door

7| SPECIFY ELECTRIC LATCH RETRACTION

- E** Dual Electric Latch Retraction Dogging
- EM** External Module Dual Electric Latch Retraction/Dogging (8 Wires Req'd)

8| SPECIFY TRIM

FOR MORTISE S63 ONLY (LESS CYLINDER)

- EE** Eclipse Escutcheon
- GE** Galaxy Escutcheon

8| SPECIFY TRIM (OPTIONAL) RIM S61 AND SURFACE S62 ONLY

Mechanical Trim (less cylinder)

- EK02U** Dummy Eclipse Escutcheon
- GK02U** Dummy Galaxy Escutcheon
- SP02U** Dummy Saturn Escutcheon
- EK03U** Eclipse Escutcheon
- GK03U** Galaxy Escutcheon
- SP03U** Saturn Escutcheon



- CP01** 6-pin Rim Cylinder, Keyed Different, Specifically For EK03, GK03 and SP03

ACCESSORIES

- PTH-4Q** Four Wire, Dull Chrome Power Transfer Hinge
- PTH-10Q** Ten Wire, Dull Chrome Power Transfer Hinge



- PTM-2AL** Aluminum Powder Coat 2 Wire, US28 equivalent
- PTM-2BZ** Dark Brown Powder Coat 2 Wire, US10B equivalent
- PTM-10AL** Ten Wire Aluminum Powder Coat, US28 equivalent
- PTM-10BZ** Ten Wire Aluminum Powder Coat, US10B equivalent, Dark Brown Powder Coat



- 602RF** 1 Amp, 12/24 VDC Class 2 Output Power Supply, 12" W x 12" H x 3.75" D Box
- 631RF** 1.5 Amp, 12/24 VDC Class 2 Output Power Supply, 12" W x 12" H x 3.75" D Box
- EMC** 2 Station Door Sequencer
Each EMC provides interface and sequencing for two single or one double automatic door. Not required for manual doors.



ACCESSORIES

STRIKES (SCREWS INCLUDED)

RIM DEVICES USE RIM STRIKES



ST1P

Standard for S6100P

Projection: 13/16"



ST1F

Standard for S6100F

Projection: 13/16"

SURFACE / CONCEALED VERTICAL ROD DEVICES USE

TOP STRIKES



ST2P

Standard for S6200P

Projection: 29/32"



ST2F

Standard top strike for S6200F

Projection: 1-1/8"

BOTTOM STRIKES (Floor Strikes)



Mortise: 2-1/4"

OPTIONAL THRESHOLD STRIKES



ST28T

Optional floor strike for using threshold openings.

Projection: 3/8"

OPTIONAL DOUBLE DOOR STRIKE



ST2DF

Optional for Pairs of Doors with Rim Mount Device

Projection: 1-15/16"

OPTIONAL DOUBLE DOOR STRIKE

REMOVABLE MULLION



KR90F

Standard Key Removable Mullion for Panic Exit and Fire Exit Rim Mount Devices **Length:** 8ft **Material:** 2" 11 Gauge, Steel

OPTIONAL MULLION STRIKE



ST1MP

For 6100P



ST1MF

For 6100F

Projection: 7/8"

ACCESSORIES (ELECTRIC)

CONCEALED ELECTRIC POWER TRANSFER

PTM Heavy Duty Series Electric Power Transfer Device

SDC's heavy duty Electric Power Transfer Device provides a concealed and secure means of transferring electric lock and exit device power and signal wires from the frame to the door. Completely concealed when the door is closed the PTM Electric Power Transfer Device is ideal for heavy traffic and applications requiring higher security to inhibit tampering and abuse.



MODELS

2 Conductor: Two (2) 18 Ga. wires, 5 Amp @ 12/24 V AC/DC

PTM-2AL Aluminum Powder Coat, US28 equivalent

PTM-2BZ Dark Brown Powder Coat, US10B equivalent

10 Conductor: Ten (10) 24 Ga. wires, 1 Amp @ 12/24V AC/DC

PTM-10AL Aluminum Powder Coat, US28 equivalent

PTM-10BZ Dark Brown Powder Coat, US10B equivalent

FIRE RATED CONCEALED MORTISE POWER TRANSFER



10B Listed For 3 Hrs Fire Rated Doors

PT-5 Concealed Mortise Mount Power Transfer Loop Frame mortised steel dust box with flexible steel loop and chrome finish. Recommended for use with hollow metal frames.

Dimensions: 11.5"H x 1"W x 0.75"D (292 x 25.4 x 19mm)

MODELS

PT-5 Concealed Mortise Mount Power Transfer Loop



POWER TRANSFER HINGE



10B Listed for 3hr Fire Rated Door
DPS Contact Optional

FEATURES

- UL10B Listed for 3 Hr Fire Doors. If the hinge you are presently using does not bear the F mark, it is not listed for use with fire doors.
- 500,000 cycles. 5 times UL test criteria
- Wire Replacement Warranty
- 5ft wire cable

HOW TO ORDER:

1| SPECIFY MODEL

PTH-4

Four Conductor Hinge, 1 Amp @ 12/24V per pair, 4.5" x 4.5" Five Knuckle Standard Weight

PTH-10

Ten Conductor Hinge, 1 Amp @ 12/24V per pair, 4.5" x 4.5" Standard Weight

2| SPECIFY FINISH

All Base Material Steel

Q 626 Dull Chrome (Standard) **H** 613 Oil Rubbed Bronze

C 605 Bright Brass

P 625 Bright Chrome

3| SPECIFY OPTIONS

DPS Concealed Door Position Switch SPDT, 250mA @ 30VDC

