



NDE Series

Wireless lock with
ENGAGE™ technology



Overview

The Schlage® NDE Series wireless cylindrical lock with ENGAGE™ technology is designed to affordably extend electronic access control deeper into the building beyond traditional perimeter and high security openings. Whether commercial real estate, K-12, higher education, assisted living, medical offices, or multi-family, nearly any facility can benefit from the enhanced security, efficiency, and convenience of upgrading to electronic credentials.

NDE Series wireless locks simplify installation by combining the lock, credential reader, door position sensor and request-to-exit switch all in one unit. NDE Series wireless locks utilize standard ND cylindrical door prep and can be installed in minutes with only a Phillips screwdriver; no need to install additional components, drill holes or run wires to each opening. NDE Series suites with the most popular Schlage ND Series levers, keyways, and finishes, providing attractive options to meet the requirements of nearly any facility. NDE Series is ideal for office and suite entries, conference rooms, common area doors, resident units, and sensitive storage areas with a cylindrical door prep.

Built-in Bluetooth® enables NDE Series wireless locks to connect directly to smart phones and tablets; no need for a proprietary handheld device for set-up and configuration. And with built-in Wi-Fi, NDE Series locks can connect directly to an existing Wi-Fi network enabling automatic updates to lock configuration and user access. With the ENGAGE cloud-based web and mobile apps, it's easy to configure lock settings, add users, and view audits and alerts from anywhere.

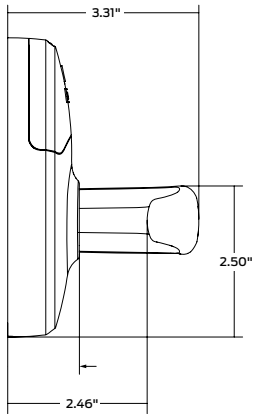
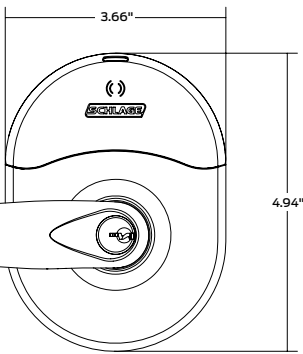
For advanced capabilities including networked real-time communication with the ENGAGE™ Gateway, NDE Series wireless locks can be managed with software from one of our access control alliance members. For additional details, please refer to the NDE Integrations found in the Alliances menu on our website at us.allegion.com.

NDE Series wireless locks are compatible with most proximity and smart cards including aptiQ™ and aptiQmobile.™

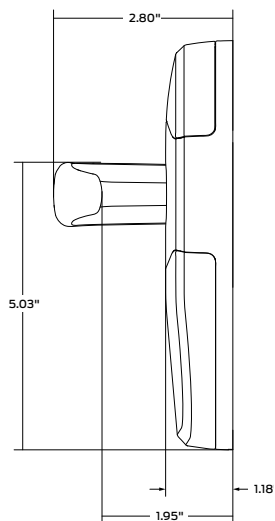
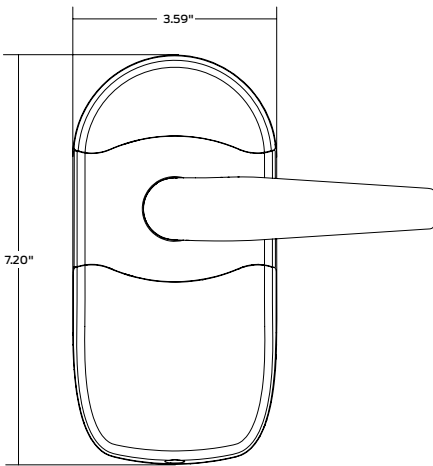
Features and benefits

- Designed to be easy to install, connect, manage, and use
- Fits mechanical ND Series door prep with no additional holes
- Installs in minutes with only a Phillips screwdriver
- Weather resistant design for use on perimeter doors
- Lever handing is field reversible in seconds; no tools required
- Innovative integrated door position sensor requires no additional door prep
- Built-in Bluetooth® enables wireless configuration from smart phones and tablets
- Built-in Wi-Fi® enables automatic daily updates sent directly from host software
- Enables networked real-time communication with the ENGAGE Gateway and software alliances
- Up to 2 years of battery life
- Compatible with major brands of key systems
- ANSI/BHMA A156.25 (Indoor/Outdoor), ANSI/BHMA Grade 1, UL 294, UL10C, FCC Part 15, ADA, RoHS, Industry Canada (IC)

Exterior of the lock



Interior of the lock



NDE Series wireless lock specifications

Users	Up to 5,000 ¹
Audits	Up to 2,000 ²
Credential verification time	≤ 1 second ³
Visual communications	LED (red, amber, green)
Audible communications	Audible indicator (field configurable)
Communication standards	<ul style="list-style-type: none"> ▪ 2.4 GHz Wi-Fi® (IEEE 802.11b/g) ▪ WPA2, WPA, WEP, 802.1x ▪ Bluetooth low energy (version 4.0) ▪ Transport Layer Security (TLS) version 1.0 ▪ Advanced Encryption Standard (AES), 256-bit
Communication range	Up to 100 ft.
Wake-Up on Radio	Responds to command from host in less than 5 seconds when linked to ENGAGE Gateway (requires alliance member software)
Data rate	24 Mbps via Wi-Fi
Connectivity options	<ul style="list-style-type: none"> ▪ Mobile (send updates at the lock) ▪ Wi-Fi access point (automatic daily updates⁹) ▪ ENGAGE Gateway (real-time communication) ▪ RS-485 to ACP or IP to host
Battery life	Up to 2 yrs with 4 AA batteries ⁴
Operating temperature	Exterior: -31° to 151°F (-35° to 66°C) Interior: 32° to 120°F (0° to 49°C) (battery)
Operating humidity	0 - 100% non-condensing
Certifications	ANSI/BHMA A156.25-2013 (Indoor/Outdoor), ANSI/BHMA A156.2-2011, Series 4000, Grade 1, UL 294, UL 10C, CSA C22.2 No. 205-M1983, FCC Part 15, IC RSS-210, ADA, RoHS, ICC ANSI A117.1

Functions

- Storeroom with Vandlgard®

Available status signals

- Request-to-exit
- Door position
- Interior cover tamper⁵
- Magnetic tamper
- Battery status
- Lock/unlock status⁶
- Communication status⁵

Flexible solutions

NDE Series wireless locks offer connectivity options to fit any size budget or business.

- 1 Mobile
- 2 Wi-Fi
- 3 Real-time with ENGAGE Gateway

ENGAGE™ cloud-based web and mobile applications



The ENGAGE cloud-based web and mobile applications deliver simple and convenient site set-up with basic access management for users and locks.^{1,3} Please refer to the ENGAGE data sheet for additional detail.



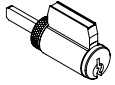
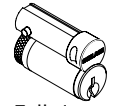

¹ Maximum database storage capacity of lock. Can vary upon access control software database capacity when linked with an ENGAGE Gateway RS-485 to ACP
² Maximum audit storage capacity of lock. Can vary upon access control software audit storage capacity when linked with an ENGAGE Gateway RS-485 to ACP
³ Response time does not include latency time of host when linked with an ENGAGE Gateway
⁴ Assuming indoor application, 13.56 MHz CSN credential, 100 actuations and one Wi-Fi update per day

⁵ Consult your access control software provider for specific scope of support
⁶ Software indicates lock/unlock status based on sequence of events
⁷ When using the ENGAGE cloud-based access management software





Mechanical specifications

Chassis	Cylindrical
Handing	Right-handed from factory. Field reversible in seconds (no tools required)
ANSI standard (Meets or exceeds)	ANSI/BHMA A156.25-2013 (Indoor/Outdoor) ANSI/BHMA A156.2-2011, Series 4000, Grade 1
Door thickness	Standard: 1 5/8" - 2" (41mm - 51mm) only
Backset	Standard: 2 3/4" (70mm) Optional: 2 3/8" (60mm)
Latch bolt	Standard: 1/2" (12mm) throw deadlatch (steel) Optional: 3/4" (19mm) throw anti-friction deadlatch available for pairs of fire doors
Levers	Pressure cast zinc, plated
Strike	Standard: 1 3/16" lip, ANSI, DPS, 1 1/4" x 4" Optional: Additional strikes, lip lengths and ANSI strike box available
Cylinder and keys	Standard: Schlage 6-pin Everest 29 S123 keyway cylinder with two patented keys. Additional keying options available, including standard and interchangeable cores, competitor brands, master keying and grand master keying

Compatible key systems

			
	Key-in-lever cylinder	Full size interchangeable core	Small format interchangeable core
Schlage key systems			
Primus XP	■	■	—
Everest 29	■	■	■
Classic	■	■	—
Other key systems			
Sargent®	■	■	■
Corbin Russwin®	■	■	■
Yale®	—	■	■

Cylinder options (How to order)

Cylinder	Order Suffix	Description
	LD SAR	Sargent® Key-in-Lever
	JD SAR	Sargent Full Size Interchangeable Core 6-pin Cylinder
	JD C06	Corbin Russwin Full Size Interchangeable Core 6-pin Cylinder
	JD YA6	Yale Full Size Interchangeable Core 6-pin Cylinder

Multi-technology reader specification

Frequency	125 kHz proximity and 13.56 MHz smart credential
Standards	ISO standard 15693 and ISO 14443
Maximum read range	Up to 1.25" on 125 kHz proximity, up to 0.75" on 13.56 MHz smart credential
125 kHz proximity credential compatibility	Compatibility: Schlage®, XceedID®, HID®, GE/CASI ProxLite®, AWID® and LenelProx® XceedID credential style formats: Clamshell, ISO card, ISO card with magnetic stripe, keyfob and PVC disk (7000 Series)
13.56 MHz smart credential compatibility	Secure sector compatibility: Schlage MIFARE®, aptiQ® MIFARE Classic, XceedID, aptiQ MIFARE DESFire™ EV1 with PACSA, aptiQmobile™ CSN only compatibility: DESFire, HID iClass®, Inside Contactless Pico Tag®, MIFARE, MIFARE DESFire EV1, ST Microelectronics®, Texas Instruments Tag-It®, Phillips I-Code® aptiQ credential style formats: Clamshell, ISO card, ISO card with magnetic stripe, keyfob, mobile, PVC disk (8000 Series) and PVC patch (9000 Series)

Benefits of NDE Series multi- technology readers:

- Reads both proximity (125 kHz) and smart (13.56 MHz) technologies with single device
- NDE Series multi-technology readers are NFC compatible¹ and enable use with aptiQmobile credentials
- Allows end user to migrate to more secure credentials over time and as budgets permit

¹ Please refer to aptiQmobile compatibility chart for a list of certified devices

Ordering information

NDE- 80 - PD -SPA-626

Series	Function	Lever cylinder	Outside		Inside		Backset and latch	Strike	Dim	Additional details
			Lever style	Finish	Lever style	Finish				
1	2	3	4	5	6	7	8	9	10	11

Selections correspond with the numbers above

Standards options are indicated in bold. See price book for specific configuration options.

3	Lever cylinder type
PD	Schlage 6-pin full cylinder

See price book for other SFIC, FSIC and Less Cores options available. Compatible with Schlage, Sargent, Corbin and Yale.

4/6	Lever style
SPA	Sparta
RHO	Rhodes
ATH	Athens

Available with tactile surface

5/7	Finish
626	Satin chrome
605	Bright brass
606	Satin brass
612	Satin bronze
619	Satin nickel
622	Matte black
625	Bright chrome
643e	Aged bronze
626AM	Satin chrome antimicrobial

8	Backset and latch
13-047	2 3/4" backset, deadlatch, square corner, 1 1/8" x 2 1/4"

See price book for additional backset and latch options

9	Strike
10-130	1 3/16" lip, ANSI, DPS, no box, 1 1/4" x 4 7/8"

See price book for other available strikes

10	Dim (strike lip length)
138	1 3/8" non-standard lip length

Enter only for non-standard strike lip lengths. See price book for other available non-standard lengths

11	Additional details
S123	Everest 29

See price book for other available keyway options including master keying

Lever styles

Standard cylinders shown, SFIC and FSIC also available.



Sparta



Rhodes



Athens

Finishes

Warm tone finishes



605 Bright brass

606 Satin brass

612 Satin bronze

643e Aged bronze

Cool tone finishes



619 Satin nickel

622 Matte black

625 Bright chrome

626 Satin chrome

626AM Satin chrome with antimicrobial

Allegion, the Allegion logo, aptiQ, aptiQmobile, Schlage, the Schlage logo, ENGAGE technology, the ENGAGE technology logo, and XceedID are trademarks of Allegion plc, its subsidiaries and/or affiliates in the United States and other countries. All other trademarks are the property of their respective owners.

About Allegion

Allegion (NYSE: ALLE) is a global pioneer in safety and security, with leading brands like CISA®, Interflex®, LCN®, Schlage®, SimonsVoss® and Von Duprin®. Focusing on security around the door and adjacent areas, Allegion produces a range of solutions for homes, businesses, schools and other institutions. Allegion is a \$2 billion company, with products sold in almost 130 countries. For more, visit www.allegion.com.

aptiQ ■ LCN ■ SCHLAGE ■ STEELCRAFT ■ VON DUPRIN



© 2017 Allegion
010409, Rev. 01/17
www.allegion.com/us