

# SECURITRON® M380 Magnalock®

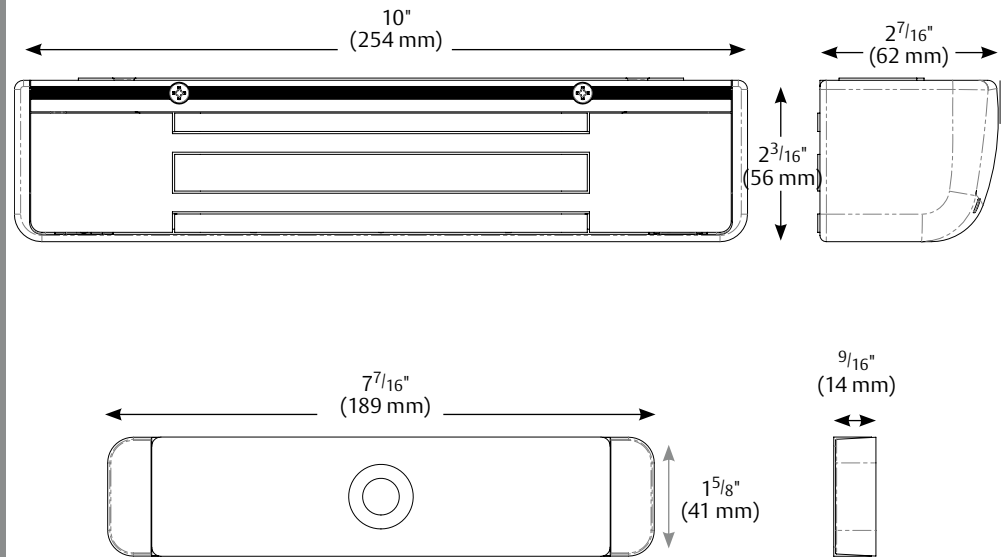
The global leader in  
door opening solutions

**ASSA ABLOY**



## Features

- Bracket mounting provides the easiest install for out-swing doors
- Innovative install template for an effortlessly accurate alignment between magnet and armature plate
- Sleek, low profile and refined lines for improved aesthetics
- LED visual locked status with configurable red/green color output
- BondSTAT™ lock bond sensor – Patented
- Integrated door position switch
- Autosensing dual-voltage with microprocessor technology
- Adjustable automatic relock timer (0.5-15 seconds)
- Wire chamber with anti-tamper switch
- Efficient, low power usage
- MagnaCare® Lifetime Replacement No Fault Warranty



## Technical Specifications

### Materials:

- Anodized Aluminum

### System:

- Magnalock: MAG-M380BDX
- Holding Force: 600 lbs (272kg)
- Adjustable passive infrared (PIR) request to exit (REX)
  - Automatically cuts power to M380 for egress
  - REX output
  - Easily adjustable beam pattern
  - Adjustable relock timer
- Dimensions:
  - Magnalock: 10" L x 2 7/16" D x 2 3/16" H
  - Strike: 7 7/16" L x 9/16" D x 1 5/8" H
- Electrical:
  - Magnalock®: 510 mA at 12 VDC, 270 mA at 24 VDC
  - PIR: 25 mA at 12 VDC, 10 mA at 24 VDC
- Operating Temperature: +32 to +110F (0 to +43C)  
Indoor use only

### Patents, Approvals and Listings:

- UL 10C Listed
- UL 1034 Burglary-Resistant Listed
- CAN4-S104, CAN/ULC Listed
- ANSI/BHMA A156.23, Grade 1; E18501-500, E18531-500
- CSFM- California State Fire Marshal Approved
- Patent: 8,094,017
- Patents Pending

### Finish Options:

- Clear Anodized Aluminum (US28/628)
- Satin Black Anodized Aluminum (US19/335)
- Satin Brown Anodized Aluminum (US20A/313)\*

\*Securitron's 313 finish is Dark Bronze

ASSA ABLOY Glass Solutions  
300 Main Street  
Rockwood, PA 15557  
PH: (855) 594-6989  
www.assaabloyglass.us

ASSA ABLOY is the global leader in door opening solutions, dedicated to satisfying end-user needs for security, safety and convenience