



Corridor doors

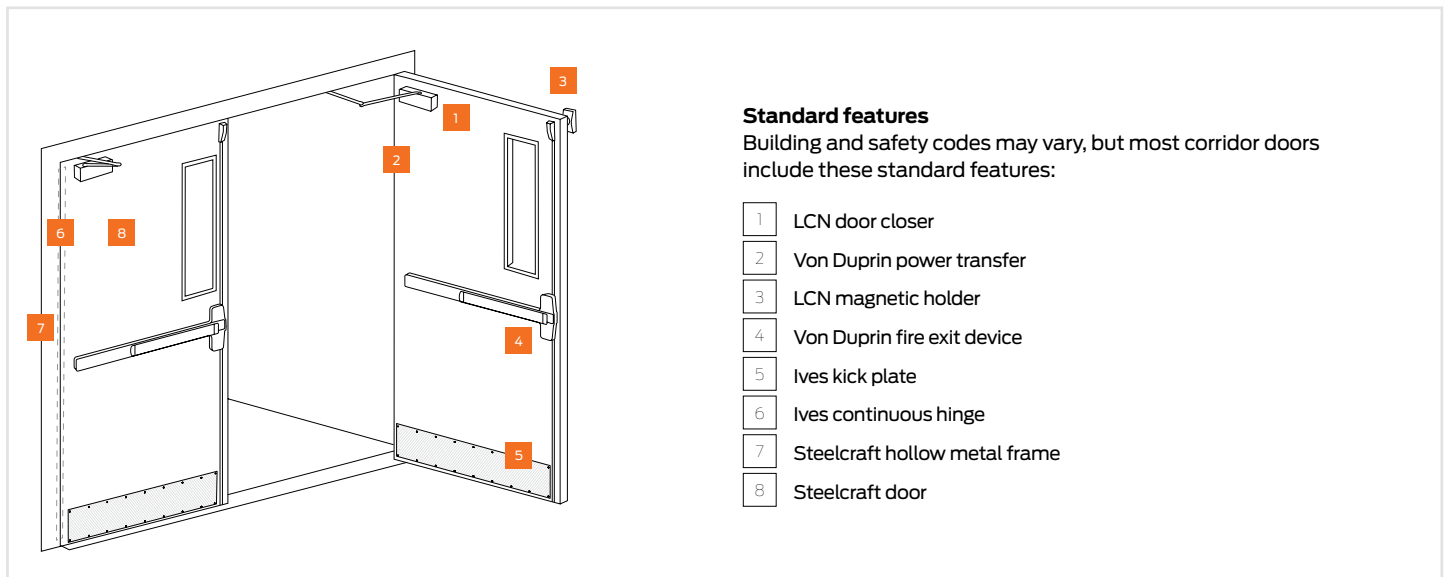
Education solutions

Corridor doors are among the most common openings in school buildings. Placed at high traffic areas, corridor doors link academic areas to large spaces such as gyms, auditoriums or lecture halls. Additionally, they serve as a barrier from one area of a building to another.

They face daily abuse and constant use, so reliable operation is just as critical as the ability to lock down the multiple security zones in your building after hours or in an emergency.

Cross corridor door operational requirements:

- Doors are normally held open
- Magnetic holders are wired to the fire alarm system
- Magnetic door holders release upon a signal from the fire alarm system



Standard features

Building and safety codes may vary, but most corridor doors include these standard features:

- 1 LCN door closer
- 2 Von Duprin power transfer
- 3 LCN magnetic holder
- 4 Von Duprin fire exit device
- 5 Ives kick plate
- 6 Ives continuous hinge
- 7 Steelcraft hollow metal frame
- 8 Steelcraft door

Innovative solutions from our architectural hardware specialists

Allegion offers experience and expertise that dates back to the first “panic release bar” in 1908—a device we designed after a theatre fire claimed nearly 600 lives simply because a door wouldn’t open from the inside. Today, that needless loss remains part of the underpinning current that motivates our team of professionals to construct security solutions that meet the needs of commercial facilities of varying sizes and functions.

We offer a full range of specification writing services

We believe in the quality and craftsmanship of our products. But if they aren’t properly incorporated into a building their full value goes unrealized. Allegion products are not only designed to complement your architectural vision, but also to function in a way that suits the operational and security needs of a facility.

Here are just a few of the ways we can help:

- Prepare a complete hardware specification
- Review and comment on hardware submittals
- Offer AIA-certified training on codes, technology, and product installation and maintenance
- Consult on necessary building codes to ensure fire/life safety and accessibility requirements are met
- Review building programming, product options and potential conflicts with security issues



Note: These security solutions are designed only as a guide and do not take into consideration local codes and regulations that may be in place. Please contact your local Allegion representative to design a specification to meet your unique needs.

Start with Allegion

Call **877-671-7011**

- Speak to a specification writer about building standards, code compliance or specification assistance
- Speak with a sales associate about our solutions, grant funding or seamless integration with your one card system

Visit **www.allegion.com/us/industries/education**

- Access our online security and safety self-assessment tools
- Find information about our products and services
- Review a case study about how a high school simplified maintenance and enhanced security with the concealed vertical cable exit device



About Allegion

Allegion (NYSE: ALLE) creates peace of mind by pioneering safety and security. As a \$2 billion provider of security solutions for homes and businesses, Allegion employs more than 8,000 people and sells products in more than 120 countries across the world. Allegion comprises 27 global brands, including strategic brands CISA®, Interflex®, LCN®, Schlage® and Von Duprin®. For more, visit **www.allegion.com**.

aptiQ ■ LCN ■ **SCHLAGE** ■ STEELCRAFT ■ VON DUPRIN



© 2014 Allegion
009369, Rev. 05/14
www.allegion.com/us