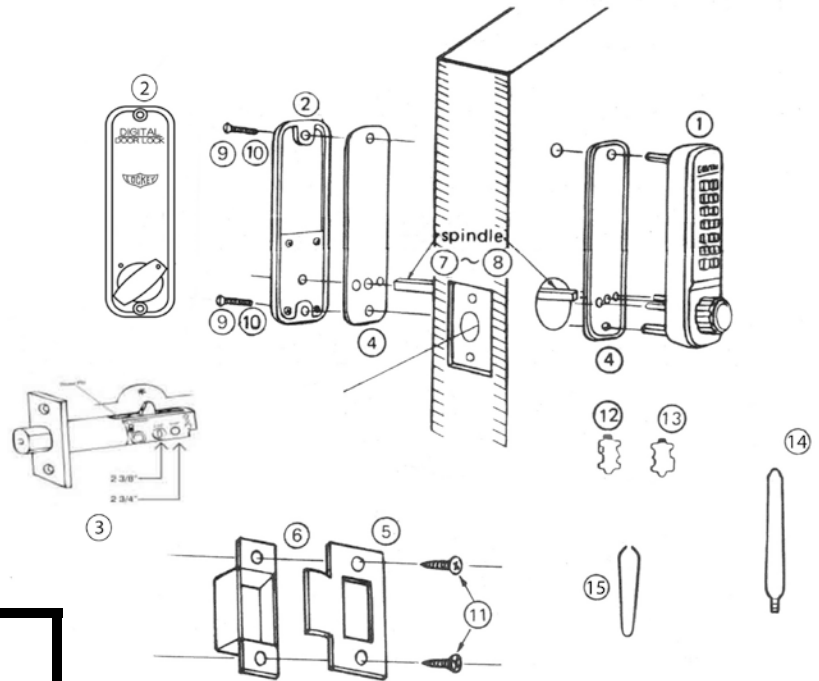


No.	Part Name	2210
1	Outside Body	1
2	Inside Body	1
3	Adjustable Deadbolt (2 3/8" – 2 3/4")	1
4	Rubber Trim Plate	2
5	Strike Plate	1
6	Mortised Striker	1
7	Spindle 40-55 mm.	2
8	Spindle 30-45 mm.	2
9	Machine Screw M4 x 50 mm.	4
10	Machine Screw M4 x 35 mm.	1
11	Wood Screw M4	2
12	Non-Combination Tumbler	1
13	Combination Tumbler	3
14	Brass Support Pin	2
15	Tweezers	1



## Step 1: Change User Code (OPTIONAL)

If you wish to change your code, see instructions on reverse side.

## Step 2: Prep Door for Installation with Template

1. Place template (supplied) on door and fold along door's edge.
2. Mark holes for 2 3/8" or 2 3/4" backset.
3. Drill holes as instructed.

NOTE: For Pre-Prepped 2 1/8" doors, you only need to drill top hole.

## Step 3: Identify Door Handing

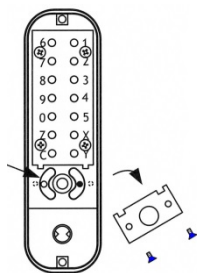
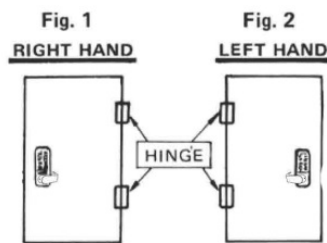
Right-Hand Doors – From exterior of door, hinges are on right-side. (Fig. 1)

Left-Hand Doors – From exterior of door, hinges are on left-side. (Fig. 2)

The 2210 is factory pre-handed for right-hand doors. To change handing, remove two blue screws and cover plate from Outside Body.

Now, move the pin from the right side of the outside body to the hole on the left side. Replace plate and screws.

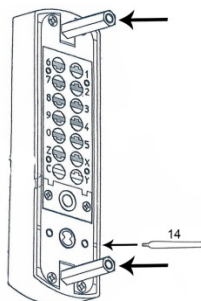
**\*2210 DC – Inside Body handing pin must be placed on opposite side from Outside Body.**



## Step 4: Install Support Pin & Hex Bolts

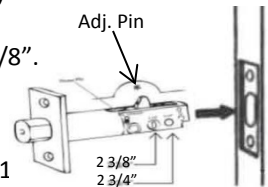
Install Brass Support Pin (#14) into either hole on Outside Body as shown in the figure to the Right [Left].

Install/screw Hex Bolts into the top and bottom of the Outside Body as shown in the figure (Far Right).



## Step 5: Adjust Deadbolt (if necessary) & Install

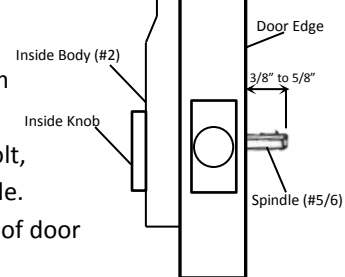
1. Adjustable Deadbolt (#12) is preset to 2 3/8". To adjust, lift pin and slide to 2 3/4".
2. With arrow pointed UP, insert Deadbolt and secure with two (2) Wood Screws (#11)



## Step 6: Verify Correct Spindle Length

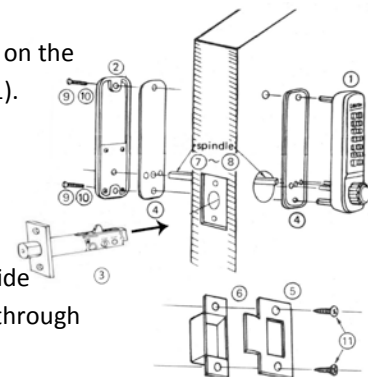
1. With deadbolt (#3) installed, hold the Inside Body (#2) and Rubber Trim Plate (#4) to the door.
2. Place Spindle (#7/8) through Deadbolt, into the Inside Body, as far as possible.
3. Spindle should extend from exterior of door 3/8" min. – 5/8" max.
4. If the 30-45 mm (#8) is too long, cut it to the correct length.

IMPORTANT: If spindle extends less than 3/8" it may not engage the lock. If spindle extends more than 5/8", it will cause the lock to bind.



## Step 7: Install the DIGITAL 2210

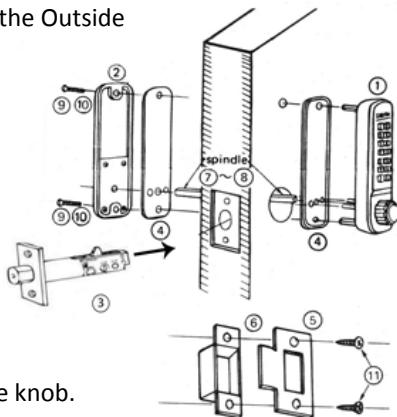
5. Place the Rubber Trim Plate (#4) on the backside of the Outside Body (#1).
6. Place the Outside Body on the door. The hexagonal bolts should extend into the top and bottom holes.
7. The Support Pin (#14) on the Inside Body should fit into and extend through the hole in the Deadbolt (#3).



**INSTRUCTIONS CONTINUED ON REVERSE SIDE**

## Step 7 cont: Install the DIGITAL 2210

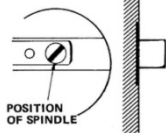
1. Insert the Spindle (#7/8) into the Outside Body (#1) ensuring it's in the proper angled position.  
\*(SEE FIGURES BELOW)
2. Using a screwdriver, secure the lock to the door with the Screws (#9 or #10).  
Screw length dependent on door thickness.
3. Test the operation of the Deadbolt by turning the inside knob.
4. Locate position where Deadbolt strikes door frame  
And install Mortised Strike (#4).



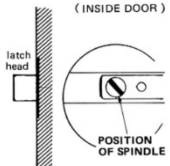
### \*IMPORTANT: SPINDLE POSITION/ANGLE

RIGHT-HAND DOORS: From inside, place spindle through Deadbolt, into the Outside Body (#1) in the 2:00/8:00 position as shown to right.

Right-Hand Door  
(INSIDE DOOR)



Left-Hand Door  
(INSIDE DOOR)



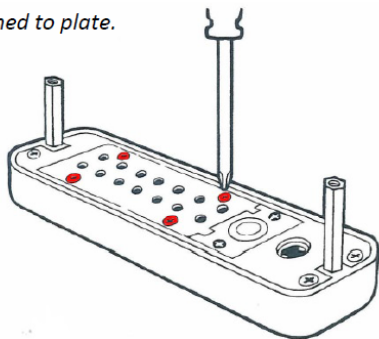
LEFT-HAND DOORS: From inside, place spindle through Deadbolt, into the Outside Body (#1) in the 10:00/4:00 position as shown to right.

# LOCKEY USA

www.LOCKEYUSA.com

## 2000 SERIES HOW TO CHANGE CODE

1. Using a #2 screwdriver, remove the four (4) Red Screws.
2. Carefully remove cover plate.  
**WARNING: Springs are attached to plate.**

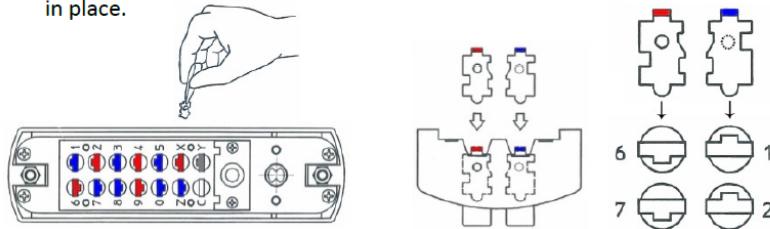


RED = CODE TUMBLERS

BLUE = NON-CODE TUMBLERS

'C' = CLEAR (DO NOT REMOVE)

4. While holding the 'C' BUTTON, remove/add CODE (Red) and NON-CODE (Blue) Tumblers to create your desired code.  
Ex: 3 Red = 3-Digit Code / 6 Red = 6-Digit Code  
**IMPORTANT: Ensure notched side of tumbler fits into slot. (Below – Far Right).**
5. After changing your code, release the 'C' BUTTON to secure the tumblers in place.



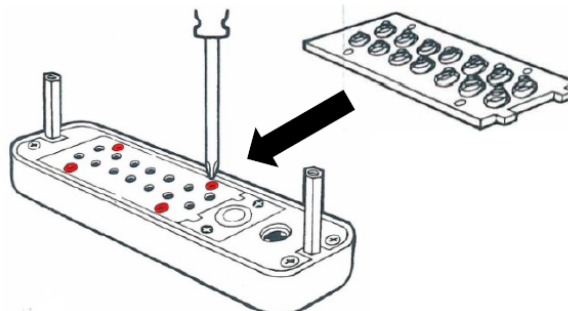
3. PRESS & HOLD 'C' BUTTON to release tumblers.  
**IMPORTANT: 'C' Button must be pressed and held down when removing and inserting tumblers. Failure to do so will damage the lock and void the warranty.**



**WARNING:**

Do NOT force tumblers into position!

6. Replace the cover plate and secure with four (4) Red Screws, using a #2 screwdriver.
7. TEST CODE before installing/re-installing lock.



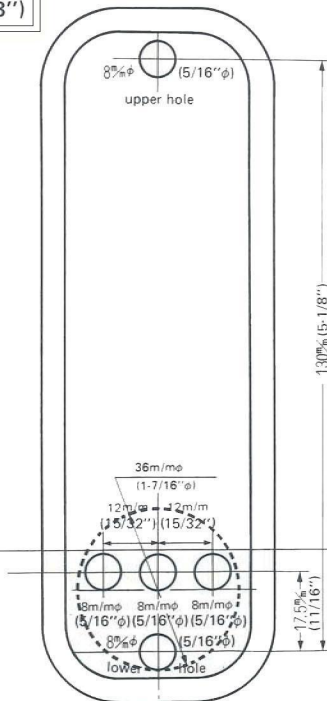
# DIGITAL DOOR LOCK

FOR BACK SET 60M/M (2-3/8")

TEMPLATE FOR 2210  
WITH 25.4mm (1") THROW

folding line of "For Right Hand Door"

folding line of "For Left Hand Door"



13 3/8" (5-1/8")

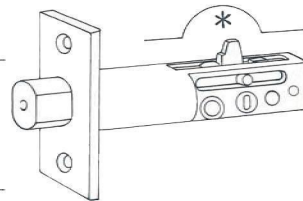
17 5/8" (11/16")

Back Set 60mm (2-3/8")

Back Set 60mm (2-3/8")

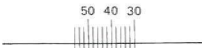
For Right Hand Door

For Left Hand Door



1. You must ensure that inside of 22mm (55/64") mortise hole is enlarged by moving wood drill up and down or using a small chisel – This is to give clearance for movement of 'CAM' which shows up as deadbolt is thrown (as shown in diagram below \*) – check clearance required by turning spindle in deadbolt and view movement of cam.
2. Ensure you drill hole in door frame deep enough to accept the 25.4mm (1") throw.

Template may not print at 100% accuracy. Please verify measurements are correct before drilling holes.



Mark in slot for 22mm (55/64") hole at center of door edge

Mark in slot for 22mm (55/64") hole at center of door edge.

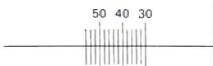
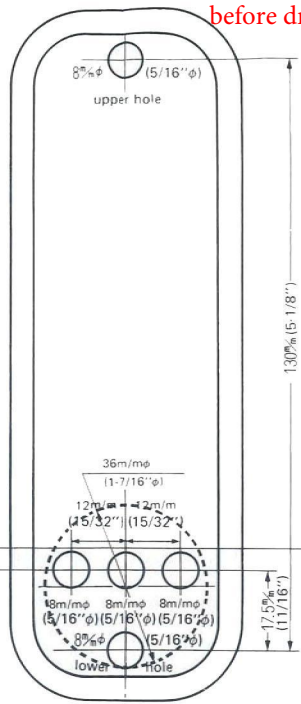
Fold along the edge of door

Template may not print at 100% accuracy.  
Please verify measurements are correct  
before drilling holes.

FOR BACK SET 70M/M (2-3/4")

folding line of "For Right Hand Door"

folding line of "For Left Hand Door"



Mark in slot for 22mm (55/64") hole at center of door edge

Mark in slot for 22mm (55/64") hole at center of door edge.



Back set 70mm (2-3/4")

Back set 70mm (2-3/4")

For Right Hand Door

For Left Hand Door