



FEATURES

- Mechanical, keyless deadbolt lock
- Installs in minutes with EZ plates
- One user code
- Thumbturn on interior and exterior
- Changeable handing
- Adjustable deadbolt backset
- Covers standard 2 1/8" hole

OPTIONS

Single Combination, Double Combination (DC)



Single Combination



Double Combination

DIMENSIONS & SPECIFICATIONS

Dimensions:

- Length: 4 7/8"
- Width: 1 1/2"
- Depth: 1 3/4"

Total Coverage with Trim Plates: 5 5/8" L x 2 1/2" W

Backset: Adjustable

Door Thickness: 1 3/16" to 2", up to 5" with Extension Kit

Door Prep Edge Bore: 1"

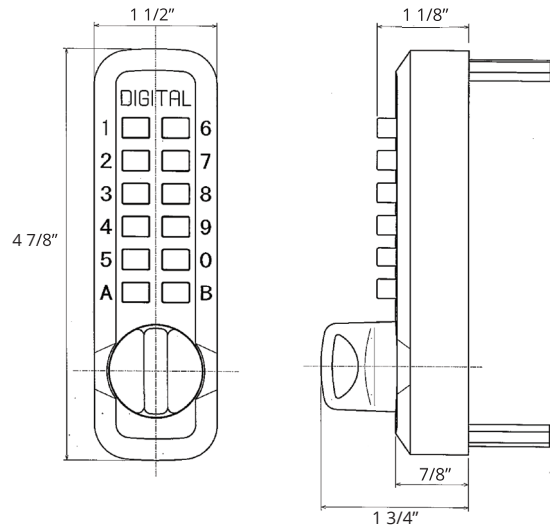
Material: Zinc-plated steel

Teflon coated stainless steel interior components

For External & Internal Use

Weather Resistant

Lifetime Mechanical Warranty



ORDERING INFORMATION

Finish

Single Combination

Double Combination

Antique Brass

M210AB

M210ABDC

Bright Brass

M210BB

M210BBDC

Bright Chrome

M210BC

M210BCDC

Jet Black

M210JB

M210JBDC

Marine Grade

M210MG

M210MGDC

Oil Rubbed Bronze

M210OB

M210OBDC

Satin Chrome

M210SC

M210SCDC

Satin Nickel

M210SN

M210SNDC

White

M210WH

M210WHDC

