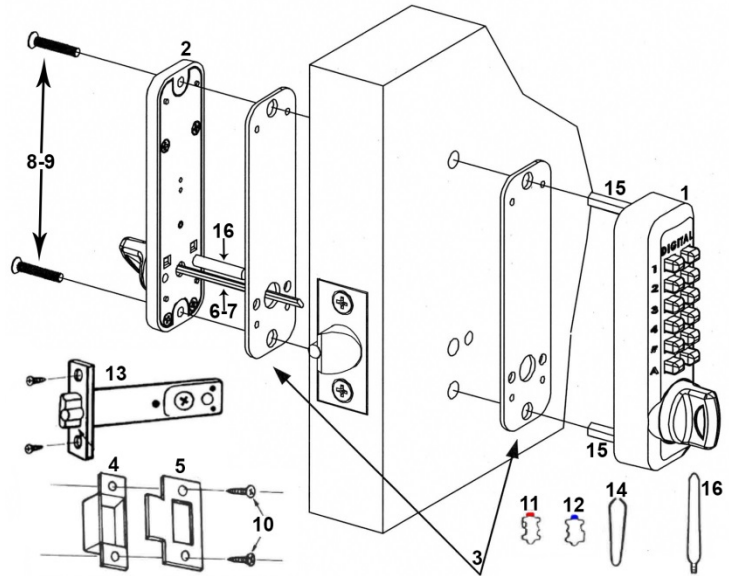


DIGITAL M-230 | M230 DC INSTALLATION INSTRUCTIONS



No.	Part Name	M230
1	Outside Body	1
2	Inside Body	1
3	Rubber Trim Plate	2
4	Mortised Strike	1
5	Strike Plate	1
6	Spindle 40-55 mm.	1
7	Spindle 30-45mm.	1
8	Machine Screw M4 x 50 mm.	2
9	Machine Screw M4 x 35 mm.	2
10	Wood Screw M4	4
11	Extra Code Tumblers (Red)	1
12	Extra Non-Code Tumblers (Blue)	2
13	Adjustable Latch 2 3/8" – 2 3/4"	1
14	Tweezers	1
15	Hex Bolts	2
16	Brass Support Pin	1



Step 1: Change User Code (OPTIONAL)

If you wish to change your code, see instructions on reverse side.

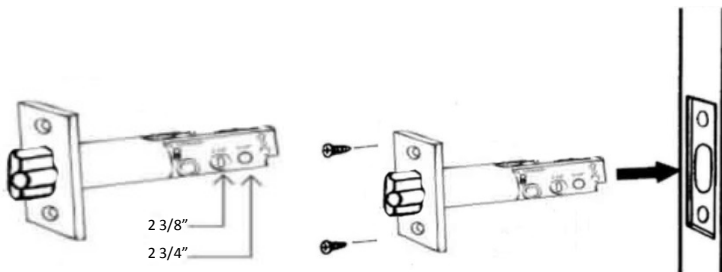
Step 2: Prep Door for Installation with Template

- Place template (supplied) on door and fold along door's edge.
- Mark holes for 2 3/8" or 2 3/4" backset.
- Drill holes as instructed.

NOTE: For Pre-Prepped 2 1/8" doors, you only need to drill top hole.

Step 3: Adjust Latch (if necessary) & Install

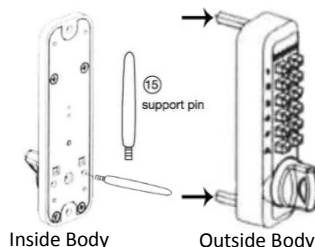
- Adjustable latch (#13) is factory preset for a 2 3/8" backset.
- For 2 3/4" backsets, slide the Cam assembly on the latch to 2 3/4".
- Insert latch into door and secure with Wood Screws (#10).



Step 4: Install Support Pin & Hex Bolts

Install Brass Support Pin (#16) into Inside Body as shown in the figure to the Right [Left].

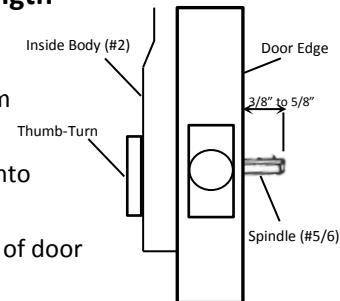
Install/screw Hex Bolts (#15) into the top and bottom of the Outside Body as shown in the figure [Far Right].



Step 5: Verify Correct Spindle Length

- With latch (#13) installed, hold the Inside Body (#2) and Rubber Trim Plate (#3) to the door.
- Place Spindle (#6/7) through latch, into the Inside Body, as far as possible.
- Spindle should extend from exterior of door 3/8" min. – 5/8" max.
- If the 30-45 mm (#7) is too long, cut it to the correct length.

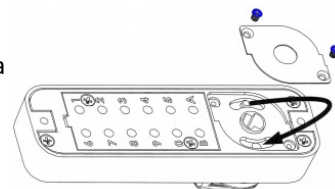
IMPORTANT: If spindle extends less than 3/8" it may not engage the lock. If spindle extends more than 5/8", it will cause the lock to bind.



Step 6: Determine Knob Turn Direction (to unlock)

The lock is preset to unlock when turned clockwise after combination is entered.

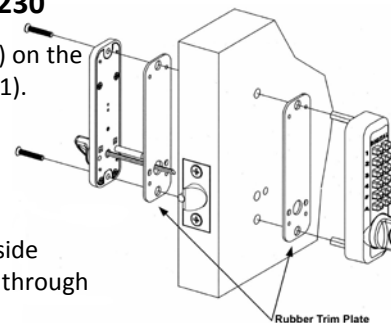
If desired, you can unlock the door with a counter-clockwise turn. Remove the two blue screws and move the pin to the opposite side as shown.



*M230 DC – Inside Body pin must on opposite side from Outside Body.

Step 7: Install the DIGITAL M230

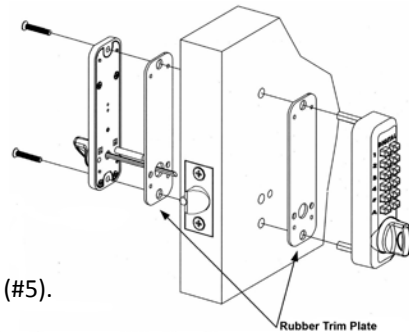
- Place the Rubber Trim Plate (#3) on the backside of the Outside Body (#1).
- Place the Outside Body on the door. The hexagonal bolts (#15) should extend into the top and bottom holes.
- The Support Pin (#16) on the Inside Body should fit into and extend through the hole in the Latch (#13).



INSTRUCTIONS CONTINUED ON REVERSE SIDE

Step 7 cont: Install the DIGITAL M230

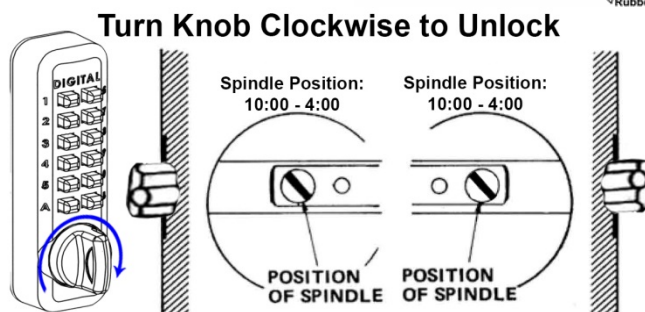
1. Insert the Spindle (#6/7) into the Outside Body (#1) ensuring it's in the proper angled position.
**(SEE FIGURES BELOW)*
2. Using a screwdriver, secure the lock to the door with the Screws (#8 or #9).
Screw length is dependent on door thickness.
3. Test the operation of the Latch by turning the inside thumb-turn.
4. Locate position where Latch strikes door frame and install Mortised Strike (#4) and Strike Plate (#5).



*IMPORTANT: SPINDLE POSITION/ANGLE

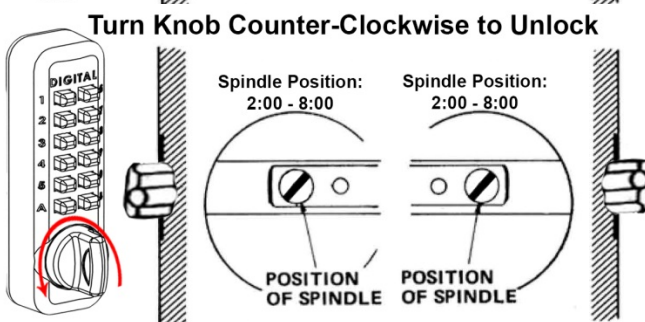
CLOCKWISE TURN TO UNLOCK WITH COMBINATION

The M230 is factory preset to unlock with a clockwise turn when the combination is entered. The Spindle MUST be placed through the latch, at a 10:00 – 4:00 angle as shown.



COUNTER-CLOCKWISE TURN TO UNLOCK WITH COMBINATION

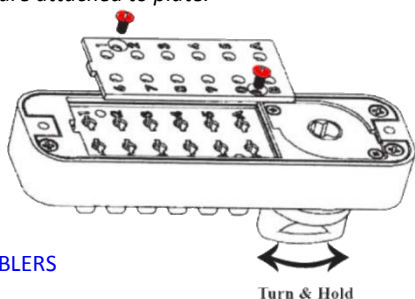
If desired, the M230 can be unlocked with a counter-clockwise turn when the combination is entered. To unlock the M230 with a counter-clockwise turn, please refer to Step 6 to change the Handing Pin.



After changing the Handing Pin, the Spindle MUST be placed through the latch at a 2:00 – 8:00 angle as shown.

DIGITAL M-SERIES HOW TO CHANGE CODE

1. Using a #2 screwdriver, remove the two (2) Red Screws.
2. Carefully remove cover plate.
WARNING: Springs are attached to plate.

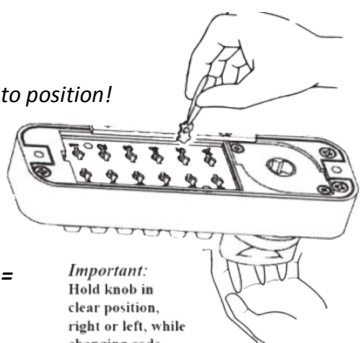


RED = CODE TUMBLERS
BLUE = NON-CODE TUMBLERS

3. TURN & HOLD thumb-turn to right or left to release tumblers.
IMPORTANT: THUMB-TURN MUST be turned and held when removing and inserting tumblers. Failure to do so will damage the lock and void the warranty.

WARNING:

Do NOT force tumblers into position!



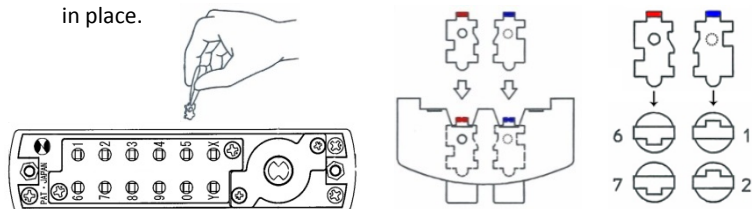
TURNING THUMB-TURN =
CLEAR POSITION

Important:
Hold knob in
clear position,
right or left,
while changing code

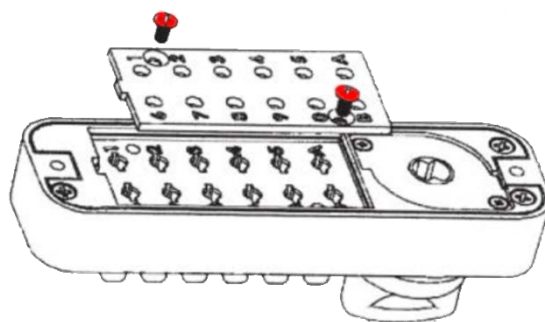
4. With the thumb-turn held to right or left, remove/add **CODE (Red)** and **NON-CODE (Blue)** Tumblers to create your desired code.
Ex: 3 Red = 3-Digit Code / 6 Red = 6-Digit Code

IMPORTANT: Ensure notched side of tumbler fits into slot. (Below – Far Right).

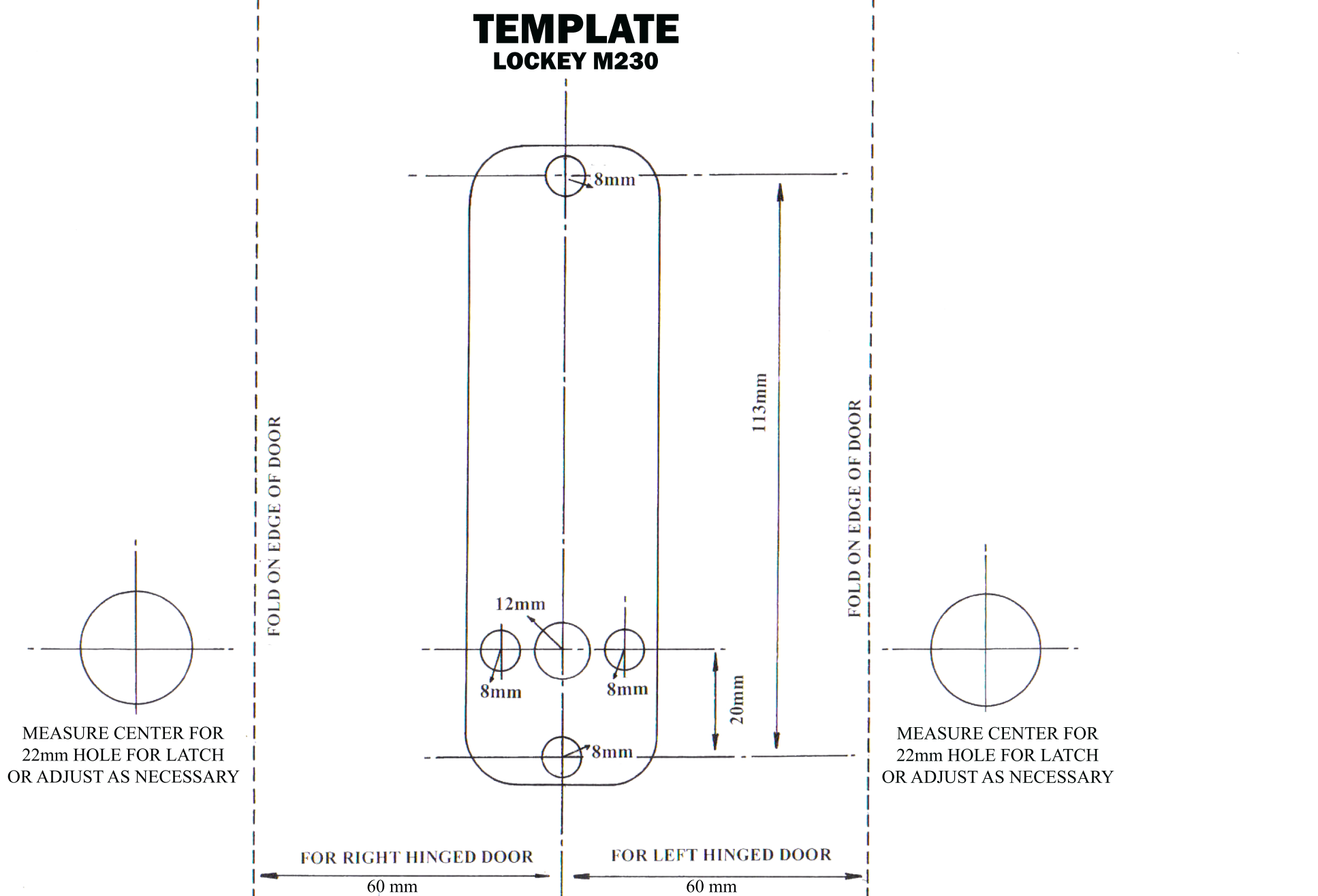
5. After changing your code, release the thumb-turn to secure the tumblers in place.



6. Replace the cover plate and secure with two (2) Red Screws, using a #2 screwdriver.
7. TEST CODE before installing/re-installing lock.



TEMPLATE LOCKEY M230



FOLD ON EDGE OF DOOR

FOLD ON EDGE OF DOOR

MEASURE CENTER FOR
22mm HOLE FOR LATCH
OR ADJUST AS NECESSARY

MEASURE CENTER FOR
22mm HOLE FOR LATCH
OR ADJUST AS NECESSARY

FOR RIGHT HINGED DOOR

FOR LEFT HINGED DOOR

60 mm

60 mm

113mm

12mm

8mm

8mm

8mm

8mm

20mm