

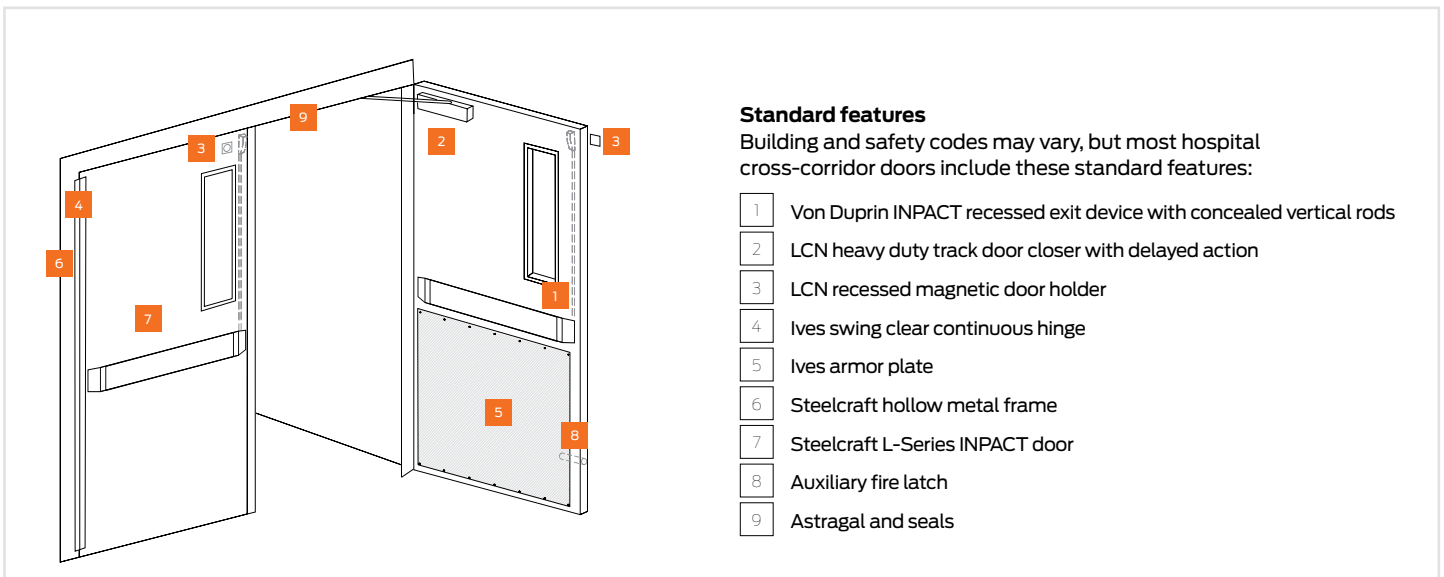


Cross-corridor openings can be found in many areas of a hospital. These doors are subject to more use and abuse than almost any other openings in a medical facility.

Although this opening's main purpose is to control the spread of fire and/or smoke while keeping patients and staff safe in emergencies, these openings also need to withstand high levels of traffic, resist damage caused by wheelchairs, gurneys and other equipment, and control access to secure areas of the building.

Operational requirements:

- Able to withstand damage to doors and exit devices due to impact by carts, gurneys and other equipment
- Adherence to fire and building codes
- Easy and efficient passage of people and equipment
- Bacteria-resistant to prevent spread of germs that contribute to hospital-acquired infections



Innovative solutions for cross corridor openings

Von Duprin® INPACT exit devices

- Recessed into the door for a low profile
- Sloped end caps deflect objects away from the door
- Designed to meet strictest building codes, while withstanding heavy use and abuse

Steelcraft® hollow metal doors

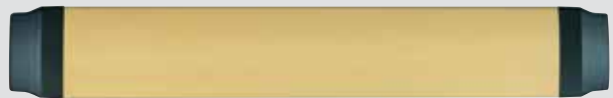
- Designed to help facilities maintain fire codes, ensure damage to the opening doesn't compromise fire resistance, and create a separation point in case of fire, smoke or other emergencies
- Proven construction, durability and flexibility in both operation and physical testing

LCN® hold open magnets

- Allows cross-corridor doors to remain open for easy passage, but releases them in case of a fire or other emergency
- Heavy duty, electrically controlled and fail safe



Von Duprin® INPACT® exit device



LCN hold open magnets

Note: These security solutions are designed only as a guide and do not take into consideration local codes and regulations that may be in place. Please contact your local Allegion representative to design a specification to meet your unique needs.

Start with Allegion

Call **877-671-7011**

- Speak to a specification writer about building standards, code compliance or specification assistance
- Speak with a sales associate about our solutions

Visit us.allegion.com/industries/healthcare

- Find more information on the solutions we offer healthcare organizations
- Access a comprehensive security and safety assessment designed for healthcare facilities to identify areas of improvement
- Read related articles on topics such as compliance, access control, access credential management and specialty solutions for healthcare environments



About Allegion

Allegion (NYSE: ALLE) creates peace of mind by pioneering safety and security. As a \$2 billion provider of security solutions for homes and businesses, Allegion employs more than 8,000 people and sells products in more than 120 countries across the world. Allegion comprises more than 25 global brands, including strategic brands CISA®, Interflex®, LCN®, Schlage® and Von Duprin®. For more, visit www.allegion.com.

aptiQ ■ LCN ■  ■ STEELCRAFT ■ VON DUPRIN



© 2014 Allegion
005123, Rev. 10/2014
www.allegion.com/us