



# Price List

# December 1, 2017

**FREIGHT POLICY:**

Freight prepaid and allowed (Ground transportation only) in Continental US on orders as follows:

- Thresholds and Gasketing only = \$1,000 net or more
- **Lites/Louvers/Glass/Continuous Hinges only or combined with Thresholds/Gasketing = \$1,500 net or more**
- Non-transportation surcharges (i.e.: construction site delivery, delivery notification, etc.) will be billed to the customer
- All expedited shipments like "Next Day Air" when requested, will be shipped FedEx, prepaid and the published rate for the service will be added to the invoice.
- All cartons over 108" in length must be shipped LTL. Minimum freight on these orders is \$130. (Add 4" to material length to determine overall carton length.)

**TERMS:**

- 1% 10 days - Net 30 days
- Payable in US Dollars
- Credit cards accepted from established accounts: Visa, Mastercard, Discover and American Express (Payment terms: NET plus 3% processing)

**MINIMUM:**

\$15.00 net for material

**PACKING, HANDLING & INVOICING:**

A charge of \$15.00 net will be made on orders of \$100.00 net or less.

**Reinforced Packaging:**

**A \$100 net charge on orders with any line item of:**

**Glass only with any size over 30"**

**Louvers 64" and larger**

**Items requiring extra support (ie: welded thresholds, etc.)**

*Orders requiring reinforced packaging will ship LTL*

**RETURNS:**

No returns will be accepted without prior approval. After approval and subject to our inspection, credit will be allowed less a minimum 35% handling charge and all related freight charges. Material that is not in standard stock sizes and finishes, or is specially fabricated is not returnable. Self-adhesive products may only be returned within 90 days of the date of sale.

**CLAIMS:**

Claims for material damage or shortages must be made within 5 days after receipt of material. NGP is not responsible for any damages or charges beyond replacement of defective material. (See Warranty)

**CANCELLATION:**

Orders for non-stock sizes, special finishes, custom fabricated, and glass products are non-cancelable and non-returnable once in production.

*Prices and terms are subject to change without notice.*

**THRESHOLDS****GASKETING****FINGER GUARDS****HOSPITALITY****LITE KITS & LOUVERS****GLASS****EDGES & ASTRAGALS****CONTINUOUS HINGES**



## WARRANTY

### TERMS AND CONDITIONS

1. Limited Warranty; Limitation of Remedy and Damages. Subject to the limitations of liability set forth below, NGP warrants products for a period of five (5) years, except: aluminum geared continuous hinges for lifetime of the door opening, stainless steel continuous hinges for twenty-five (25) years, and all hinge electrical modification components for five (5) years from date of delivery (the "Warranty Period"), that the products provided by NGP hereunder (the "Products") (i) shall conform substantially to the specifications provided to NGP, if any, so long as the Products have been properly installed; and (ii) shall conform substantially to the specifications provided by NGP, and (iii) are free from defects in workmanship and materials.

THIS IS THE SOLE AND EXCLUSIVE WARRANTY GIVEN BY NGP WITH RESPECT TO THE PRODUCTS AND IS IN LIEU OF ANY AND ALL OTHER WARRANTIES, EXPRESS OR IMPLIED, ARISING BY OPERATION OF LAW OR OTHERWISE. NGP HEREBY DISCLAIMS AND EXCLUDES ALL IMPLIED WARRANTIES, INCLUDING BUT NOT LIMITED TO THE WARRANTIES OF MERCHANTABILITY AND FITNESS FOR A PARTICULAR PURPOSE.

This warranty does not cover, and NGP will not be liable for, defects or damage arising from improper installation, modification, lack of or improper maintenance, improper storage, shipping and handling, ordinary wear and tear, misuse, abuse, accident, unauthorized service, use with unauthorized products or parts, or improper product selection or specification.

The sole and exclusive liability of NGP under this warranty or otherwise shall be limited to the repair or replacement of any Product or component part which shall prove defective to the original purchaser from NGP hereunder (the "Purchaser"), and shall not extend to dismantling, installing or reinstalling (or payment for the cost of the same). NGP will not pay for the costs of repair or replacement performed other than in accordance with this warranty. NGP SHALL NOT BE LIABLE FOR DAMAGES CAUSED BY DELAY IN PERFORMANCE AND IN NO EVENT, REGARDLESS OF THE FORM OF THE CLAIM OR CAUSE OF ACTION (WHETHER BASED IN CONTRACT, INFRINGEMENT, NEGLIGENCE, STRICT LIABILITY, TORT OR OTHERWISE), SHALL NGP'S LIABILITY TO PURCHASER AND/OR ITS CUSTOMERS EXCEED THE PRICE PAID BY PURCHASER FOR THE SPECIFIC PRODUCTS GIVING RISE TO THE CLAIM OR CAUSE OF ACTION. PURCHASER AGREES THAT IN NO EVENT SHALL NGP'S LIABILITY TO PURCHASER AND/OR ITS CUSTOMERS EXTEND TO INCLUDE INCIDENTAL, CONSEQUENTIAL OR PUNITIVE DAMAGES RESULTING FROM USE OF THE PRODUCTS, OR ARISING OUT OF ANY BREACH OF THIS WARRANTY. This warranty is governed by the law of the State of Tennessee without regard to its conflicts of law principles.

2. No Set-off. Purchaser acknowledges that its obligations to pay NGP all sums properly invoiced to purchaser by NGP for the products are absolute and unconditional. Purchaser shall make all payments to NGP when due hereunder and shall not withhold, delay or condition payment for any reason whatsoever. Purchaser shall not set-off any amounts due NGP against any amounts already due from NGP to Purchaser and expressly waives any right or claim of set-off.

3. Claims. Any claim by Purchaser with reference to the Products shall be deemed waived by Purchaser unless submitted in writing in accordance with this Paragraph 3. Purchaser shall inspect the Products immediately upon receipt and prior to any installation or use of such Products. Unless Purchaser provides written notice to NGP of any claim for shortages or defects in the Products within five (5) days after Purchaser's receipt of shipment, such Products shall be deemed finally inspected and accepted by Purchaser. If a defect is of such nature that reasonable inspection within the time provided herein would not disclose it, then notice of the claimed defect shall be made in writing and delivered to Purchaser within ten (10) days after Purchaser knew or should have known of the defect (but in no event later than the expiration of the Warranty Period); provided, however, that (notwithstanding any provisions hereof to the contrary) NGP shall not be liable for claimed defects in Products once such Products have been incorporated into a structure. At NGP's request, Purchaser will send any allegedly non-conforming Products to NGP. Any written notice of a claim hereunder shall be sent in writing to National Guard Products, 4985 East Raines Road, P.O. Box 753430, Memphis, Tennessee 38175.

4. Additional Terms. Acceptance of the Products shall be limited to the terms and conditions contained herein. Any terms and conditions contained in Purchaser's purchase order or acceptance that are in addition to, or are in conflict with, the terms and conditions contained herein shall not become a part of the agreement between NGP and Purchaser unless expressly agreed to in writing by NGP.

## Price List Index

<u>Model</u>	<u>Page</u>
Continuous Geared Hinges . . . . .	52-53
Continuous Stainless Steel Hinges . . . . .	55
Cover Plates & Threshold Assembly Components . . . . .	7
Door Edges & Astragals . . . . .	50
False Mullion Bars . . . . .	33
Fastener Options for Thresholds & Gasketing . . . . .	4
Finger Guards . . . . .	19
Flood Shields . . . . .	9
Glass . . . . .	33, 44-49
Index of Lite Kits, Louvers & Glass on back of Lites & Louvers Tab	
Lite Kits . . . . .	28-37
Replacement Fasteners . . . . .	46
Louvers . . . . .	38-43
Optional Finishes for Thresholds & Gasketing . . . . .	5
“SIA” - “Slick It Ain’t” Abrasive Slip Resistant Powder Coat Finishes	
Quick Ship Lite Kits, Louvers & Glass . . . . .	27
Ramps . . . . .	8
Returned Closed Ends for Aluminum Ramps	
Replacement Gasketing Inserts . . . . .	25-26
Security Door Guards . . . . .	9
Threshold Fabrication Charges . . . . .	6
Custom	
Lead Lined Thresholds	
Pre-Notching	
Returned Closed Ends	
Thresholds & Gasketing . . . . .	4-26
Thresholds for Floor Closers . . . . .	22-24
Warranty . . . . .	2



Fasteners

**Threshold Fasteners**

		<u>PER FT. or EA.</u>
Plastic Anchor	(PA)	.45
Lead Expansion Shield	(LES)	.65
10-24 Mach. Screw/Lead Anchor	(10-24 MS/LA)	.95
1/4-20 Mach. Screw/Exp Anchor	(1/4-20 MS/EA)	1.20
1/4-20 Combo MS/Anchor	(1/4-20-2" Combo)	2.25
Tap-Con Type	(1/4 X 1 3/4" Tap-Con)	1.10
Hilti Kwik-Con II TORX	(1/4 X 1 3/4")	1.75
10-24 Mach. Screw	(10-24 MS)	.30
1/4-20 Mach. Screw	(1/4-20 MS)	.45
10-24 Lead Anchor	(10-24 LA)	.65
1/4-20 Expansion Anchor	(1/4-20 EA)	.75

**Stainless Steel Fasteners**

10-24 Mach. Screw/Lead Anchor	(10-24 SS MS/LA)	1.45
1/4-20 Mach. Screw/Exp Anchor	(1/4-20 SS MS/EA)	1.80
10 x 1 1/2" Stainless Wood Screw	(10 x 1 1/2" SSWS)	1.00
12 x 1 1/2" Stainless Wood Screw	(12 x 1 1/2" SSWS)	1.10
14 x 1 1/2" Stainless Wood Screw	(14 x 1 1/2" SSWS)	1.25
Spanner Head Machine Screw &	(Spanner 10-24 SSMS/LA)	2.50
Expansion Anchor	(Spanner 1/4-20 SSMS/LA)	3.25

**Replacement Threshold Screws**

		<u>Price</u>
10 x 1 1/2"	Wood Screw	.30 / EA.

**Sex Nuts & Bolts for use with Astragals**

SNB (for 1-3/4" doors only)	2.30 / FT. or EA.
-----------------------------	-------------------

**Replacement Weatherstrip Screws**

<u>Size</u>	<u>Price</u>
2 X 1/2"	.22 / EA.
4 X 5/8"	.22 / EA.
6 X 1/2"	.19 / EA.
6 X 3/4"	.22 / EA.
6 X 1"	.28 / EA.
6 X 1 1/2"	.36 / EA.
8-32 x 5/8" MS	.98 / EA.
8 X 3/4"	.34 / EA.
8 X 1"	.36 / EA.
8 X 1 1/4"	.38 / EA.
10 X 3/4"	.38 / EA.
10 X 1 1/2"	.40 / EA.
12 X 1 1/4"	.42 / EA.

**TEK Self-Drilling SS SMS**

<u>Size</u>	<u>Per Ft. or EA.</u>
6 X 1/2"	.24
6 X 3/4"	.30
6 X 1"	.37
6 X 1 1/2"	.39
8 X 3/4"	.40
8 X 1"	.44
8 X 1 1/2"	.49
10 X 3/4"	.54
10 X 1 1/2"	.60
12 X 1 1/2"	.65

**TORX Security Screws**

<u>Size</u>	<u>Type</u>	<u>Per Ft. or EA.</u>
6 X 3/4"	SS SMS	1.35
6 X 1"	SMS	1.65
6 X 1 1/2"	SMS	1.80
8 X 3/4"	SMS	1.75
8 x 1"	SMS	1.80
10 X 3/4"	SMS	1.85
10 X 1"	SMS	1.90
10 X 1 1/2"	SMS	2.00
10-24 X 1 1/2"	MS	1.80
10-24 X 1 1/2"	MS x LA	2.40
12 X 1"	SMS	1.90
12 X 1 1/2"	SMS	2.25
1/4-20 X 1 1/2"	MS	2.50
1/4-20 X 1 1/2"	MS x EA	3.25
TORX BITS		22.00 / EA.
TORX DRIVER		25.00 / EA.
TORX DRIVER & set of 7 BITS		90.00 / EA.

**Stainless Spanner Head SMS**

<u>Size</u>	<u>Per Ft. or EA.</u>
6 X 3/4"	.95
6 X 1"	1.05
6 X 1 1/2"	1.45
8 X 3/4"	1.30
8 X 1 1/2"	1.40
10 X 3/4"	1.50
10 X 1"	1.55
10 X 1 1/2"	1.60
12 X 1 1/2"	1.70

**Bronze Weatherstrip Fasteners**

<u>Size</u>	<u>Price</u>
18 X 7/8" Nails (Wood Jambs)	.22 / FT.
18 X 7/8" Nails (Wood Jambs)	40.00 / LB.
#4 Wafer Head (Metal Jambs)	.55 / FT.
#4 Wafer Head (Metal Jambs)	80.00 / LB.

Specialty Fasteners

## Optional Finishes Available on Thresholds & Gasketing

### Aluminum

Mill Finish Standard  
 Polished Aluminum - Add 100%  
 Bead Blasted - Add 25%  
 (up to 10" wide only)

### Architectural Bronze

Satin Finish Standard  
 Polished Bronze - Add 30%  
 Dark Oxidized Oil Rubbed  
 Bronze (US10B) - Add 45%  
 Bead Blasted - Add 25%  
 (up to 10" wide only)

### Stainless Steel

Mill Finish Standard  
 US32 - Polished Stainless Steel - Add 30%  
 (up to 6" wide, 72" length maximum)  
 US32D - Brushed Stainless Steel - Add 25%  
 Bead Blasted - Add 15%  
 (up to 10" wide only)

## "SIA" - "Slick It Ain't" Abrasive Slip Resistant, Non-Skid Finish



Available on thresholds up to 24" wide, except 818 coverplates up to 10" wide.  
 All "SIA" products are fabricated to order and may not be returned for credit

### **Add:**

### **Aluminum or Stainless Steel**

### **Bronze**

Multiply width (inches) x

\$5.25 per foot

\$15.25 per foot

**Example:** SIA on 425HD 5" wide x 6 feet long; multiply **\$5.25/ft. list** x **5** (inches wide) x **6** (ft. long)

## Powder Coat Finishes

**Available on all aluminum, bronze and stainless steel products - Maximum length 144"**  
**Specify clearly on order "Powder Coat" and the color designation**

### Colors Available:

(DKB) Dark Bronze	(T) Tan	(BPR) Beige Primer (matches Steelcraft)
(GBL) Gloss Black	(GPZ) Gray Primer	(CAB) California Bronze (matches Anemostat)
(MBL) Matte Black	(W) White	(PTY) Putty (matches Anemostat Beige)
(TBL) Textured Black	(B) Brass (Gold)	(MW) Magnolia White (matches Timely Western White)
(ASL) Aluminum Silver		(WB) Walnut Brown (matches Timely Browntone)

Corrosion resistant sealer is applied under all powder coat finishes, which dramatically increases the corrosion resistance of the finished product. Powder coating is applied to exposed surfaces only. Quotes available for custom colors, sizes greater than shown, and large quantities.

**Powder coat items are finished to order and may not be returned for credit.**

Add to cost of product: \$15.00 / FT.

Set-up charge (less than 18 FT.): \$250



**Threshold Fabrication Charges:**

	<u>Aluminum</u>	<u>Bronze</u>	<u>Stainless Steel</u>
Ripping Per Foot Per Rip (List)	\$5.75	\$ 7.75	N/A
Beveling Per Foot Per Side (List)	\$5.75	\$ 7.75	\$26.00
*Welding Per Foot Per Weld (List)	\$9.50	\$11.50	\$19.00

\* Flush underside welding of 1/4" high threshold assemblies requires underside beveling. An inverted "V" is required for welding; allowing the welded threshold to lay flat on the floor. Aluminum thresholds 8143, 8144 and 8145 profiles feature underside bevels; add beveling charges to all other threshold assembly plates.

**Custom Fabrication Charges:**

Break Charge (per bend)	\$60.00 / EA.
Drilling (Non-standard quantity or pattern)	\$ 3.00 / FT.
Custom Drilling set up	\$65.00 / EA.
Custom Layout Set-up Charges may apply.	

**Reinforced Packaging:**

An extra charge may be added for reinforced packaging required to support welded components. (\$100.00 net min.)

**Pre-Notching:**

	<u>Aluminum or Bronze</u>	<u>Stainless Steel</u>
<b>L-Notch</b> (includes both ends)	\$10.60 / EA.	\$35.00 / EA.
Set-up charge (less than 100 pcs)	\$35.00	\$125.00
<b>U-Notch</b> (includes both ends)	\$21.20 / EA.	\$70.00 / EA.
Set-up charge (less than 100 pcs)	\$65.00	\$250.00

**Returned Closed Ends:**

R.C.E. (Alum.)	\$30.00 for Each Returned End
R.C.E. (Bronze)	\$40.00 for Each Returned End
R.C.E. (Stainless Steel)	\$60.00 for Each Returned End

**Lead Lined Thresholds:**

up to 5" wide	= \$25.50 / FT.
5 1/2" to 10" wide	= \$38.00 / FT.

## Cover Plate Thresholds

	Aluminum	Stainless Steel	Bronze
818	multiply width (inches)* x \$ 7.15 / FT.	multiply width (inches)* x \$21.50 / FT.	multiply width (inches)* x \$60.00 / FT.
814	multiply width (inches)* x \$11.75 / FT.	multiply width (inches)** x \$38.75 / FT.	n/a
828	multiply width (inches)* x \$ 9.50 / FT	n/a	n/a
838	multiply width (inches)** x \$18.60 / FT * 3" minimum width charge **4" minimum width Beveled edges standard	n/a * 3" minimum width ** 4" minimum width For beveled edges add \$26/ ft. per edge.	n/a * 3" minimum width Beveled edges standard

**Example:** For an 818 (alum) 8 inches wide by 6 feet long: multiply **\$7.15/ft.** list x **8** (inches wide) x **6** (ft. long).

DKB powder coat finish ONLY offered on cover plates with "SIA" (non-skid) finish – Add 25% plus "SIA" charge on page 5.

## Threshold Assembly Components

882	15.30 / FT.	8143BR	130.00 / FT.	8164	15.90 / FT.
8133	6.00 / FT.	8143DKB	16.25 / FT.	8164DKB	21.10 / FT.
8133DKB	8.50 / FT.	8144	15.15 / FT.	8167	26.00 / FT.
8134	11.50 / FT.	8144BR	165.00 / FT.	8167DKB	33.00 / FT.
8134DKB	18.35 / FT.	8144DKB	19.75 / FT.	8168N	8.35 / FT.
8136	5.40 / FT.	8145	18.25 / FT.	8170	40.75 / FT.
8136BR	55.00 / FT.	8145BR	219.00 / FT.	8170DKB	54.00 / FT.
8136DKB	8.25 / FT.	8145DKB	24.50 / FT.		
8137	5.75 / FT.	8146	21.20 / FT.		
8137DKB	7.50 / FT.	8146BR	250.00 / FT.	Bar Supports	
8138	5.55 / FT.	8146DKB	28.00 / FT.	Item	Price / FT.
8139	7.70 / FT.	8147	26.00 / FT.	BAR 1	6.05 / FT.
8139BR	79.00 / FT.	8147DKB	35.00 / FT.	BAR 1BR	45.00 / FT.
8139DKB	11.00 / FT.	8148	27.40 / FT.	BAR 2	6.20 / FT.
8140	5.30 / FT.	8148DKB	39.20 / FT.	BAR 2BR	51.50 / FT.
8140BR	50.00 / FT.	8149	37.25 / FT.	BAR 4	9.00 / FT.
8140DKB	7.90 / FT.	8149DKB	52.50 / FT.	BAR 6SS	21.75 / FT.
8141	8.00 / FT.	8150	37.50 / FT.	BAR 6SS-2-10 BEV-TAP	44.75 / FT.
8141DKB	11.75 / FT.	8150DKB	53.50 / FT.		
8142	8.75 / FT.	8152	8.25 / FT.		
8142BR	83.00 / FT.	8152DKB	12.50 / FT.		
8142DKB	11.45 / FT.	8163	12.75 / FT.		
8143	11.60 / FT.	8163DKB	17.75 / FT.		



**Ramps**

**Ramps - Butted Condition**

R50	17.15 / FT.
R51	18.15 / FT.
R50SIA	48.65 / FT.
R75	29.35 / FT.
R75DKB	44.35 / FT.
R75SIA	76.60 / FT.
R100	39.75 / FT.
R100DKB	56.75 / FT.
R100SIA	102.75 / FT.
R125	55.75 / FT.
R125DKB	76.75 / FT.
R125SIA	134.50 / FT.
R150	66.75 / FT.
R150DKB	89.75 / FT.
R150SIA	161.25 / FT.
R175	86.15 / FT.
R175DKB	114.15 / FT.
R175SIA	196.40 / FT.
R200	96.75 / FT.
R200DKB	127.75 / FT.
R200SIA	222.75 / FT.
R225	118.75 / FT.
R225DKB	151.75 / FT.
R225SIA	260.50 / FT.
R250	138.75 / FT.
R250DKB	176.75 / FT.
R250SIA	296.25 / FT.

**Ramps - Overlap Condition**

RO50	47.90 / FT.
RO50DKB	64.90 / FT.
RO50SIA	110.90 / FT.
RO75	60.10 / FT.
RO75DKB	82.10 / FT.
RO75SIA	138.85 / FT.
RO100	70.50 / FT.
RO100DKB	94.50 / FT.
RO100SIA	165.00 / FT.
RO125	86.50 / FT.
RO125DKB	114.50 / FT.
RO125SIA	196.75 / FT.
RO150	97.50 / FT.
RO150DKB	127.50 / FT.
RO150SIA	223.50 / FT.
RO175	116.90 / FT.
RO175DKB	151.90 / FT.
RO175SIA	258.65 / FT.
RO200	127.50 / FT.
RO200DKB	165.50 / FT.
RO200SIA	285.00 / FT.
RO225	149.50 / FT.
RO225DKB	189.50 / FT.
RO225SIA	322.75 / FT.
RO250	169.50 / FT.
RO250DKB	214.50 / FT.
RO250SIA	358.50 / FT.

**Returned Closed Ends**

**For Aluminum Ramps**

RCE-9	152.00 / ST.
RCE-9DKB	182.00 / ST.
RCE-9SIA	170.00 / ST.
RCE-9SIA-DKB	200.00 / ST.
RCE-15	245.00 / ST.
RCE-15DKB	275.00 / ST.
RCE-15SIA	273.00 / ST.
RCE-15SIA-DKB	303.00 / ST.
RCE-21	405.00 / ST.
RCE-21DKB	435.00 / ST.
RCE-21SIA	444.00 / ST.
RCE-21SIA-DKB	474.00 / ST.
RCE-30	498.00 / ST.
RCE-30DKB	528.00 / ST.
RCE-30SIA	547.00 / ST.
RCE-30SIA-DKB	577.00 / ST.

**Rubber Ramps (Supplied with Beveled Edges)**

RR42	141.00 / FT.
RR952	41.00 / FT.
RR954	100.00 / FT.

**Black RTV Silicone Construction Sealant for Rubber Ramps & PVC Carpet Dividers**

RR5007BL - 10.1 oz.	21.50 /tube
RR5007BL-12	248.00 /case
(case of 12)	







Thresholds & Gasketing

92VA (*EC)		13.65 / FT.	101VA		4.55 / FT.	110SB		7.50 / FT.
92VDKB (*EC)		19.25 / FT.	101VB		6.65 / FT.	110SDKB		6.75 / FT.
92WHA (*EC)		17.15 / FT.	101VDKB		5.95 / FT.	111		14.65 / FT.
92WHDKB (*EC)		22.75 / FT.	102VA		6.00 / FT.	111DKB		20.30 / FT.
95WH		9.30 / FT.	102VB		7.85 / FT.	112N		11.80 / FT.
95WHDKB		13.40 / FT.	102VDKB		7.45 / FT.	112NDKB		13.90 / FT.
96V	⊙	3.50 / FT.	103NA	⊙	15.75 / FT.	113NA		8.35 / FT.
96VA	⊙	4.50 / FT.	103NAFS		18.30 / FT.	113NDKB		10.50 / FT.
96VB	⊙	5.80 / FT.	103NB	⊙	20.35 / FT.	114NA		6.90 / FT.
96VDKB	⊙	5.25 / FT.	103NBFS		22.85 / FT.	114NB		8.50 / FT.
97V	⊙	2.50 / FT.	103NDKB	⊙	18.75 / FT.	114NDKB		7.90 / FT.
97V (SET)	⊙	5.00 / FT.	103NDKBFS		21.30 / FT.	114SA		8.55 / FT.
97VA	⊙	3.30 / FT.	104NA	⊙	19.25 / FT.	114SB		10.15 / FT.
97VA (SET)	⊙	6.60 / FT.	104NB	⊙	23.75 / FT.	114SDKB		9.55 / FT.
97VB	⊙	4.65 / FT.	104NDKB	⊙	22.25 / FT.	115NA		5.44 / FT.
97VB (SET)	⊙	9.30 / FT.	105NA	⊙	19.45 / FT.	115NA (SET)		10.88 / FT.
97VDKB	⊙	4.25 / FT.	105NB	⊙	24.00 / FT.	115NB		8.08 / FT.
97VDKB (SET)	⊙	8.50 / FT.	105NDKB	⊙	22.50 / FT.	115NB (SET)		16.16 / FT.
98V	⊙	3.85 / FT.	106NA	⊙	16.00 / FT.	115NDKB		6.78 / FT.
98VA	⊙	4.35 / FT.	106NDKB	⊙	21.00 / FT.	115NDKB (SET)		13.56 / FT.
98VB	⊙	5.95 / FT.	106SA	⊙	16.75 / FT.	116N		6.95 / FT.
98VDKB	⊙	5.35 / FT.	106SDKB	⊙	21.75 / FT.	116NDKB		8.95 / FT.
99NA (*EC)		15.75 / FT.	107NA	⊙	11.45 / FT.	118N		8.25 / FT.
99NDKB (*EC)		21.35 / FT.	107NAFS		14.00 / FT.	118NDKB		11.35 / FT.
99NWHA (*EC)		19.75 / FT.	107NB	⊙	16.00 / FT.	119N		9.25 / FT.
99NWHDKB (*EC)		25.35 / FT.	107NBFS		18.55 / FT.	119NB		13.45 / FT.
99TA (*EC, *NF)		16.00 / FT.	107NDKB	⊙	14.50 / FT.	119NDKB		12.35 / FT.
99TDKB (*EC, *NF)		21.60 / FT.	107NDKBFS		17.05 / FT.	120NA	⊙	5.40 / FT.
99TWHA (*EC)		20.25 / FT.	107SA	⊙	12.95 / FT.	120NB	⊙	7.90 / FT.
99TWHDKB (*EC)		25.85 / FT.	107SB	⊙	17.50 / FT.	120NDKB	⊙	7.05 / FT.
99T6A (*EC)		16.25 / FT.	107SDKB	⊙	16.00 / FT.	120NSS	⊙	23.50 / FT.
99T6DKB (*EC)		21.85 / FT.	108NA	⊙	8.05 / FT.	120SA	⊙	7.00 / FT.
99VA (*EC)		14.75 / FT.	108NB	⊙	10.10 / FT.	120SB	⊙	9.50 / FT.
99VDKB (*EC)		20.35 / FT.	109NA		6.00 / FT.	120SDKB	⊙	8.75 / FT.
99WHA (*EC)		18.25 / FT.	109NB		9.00 / FT.	120SSS	⊙	25.00 / FT.
99WHDKB (*EC)		23.85 / FT.	109NDKB		8.50 / FT.	122NA		6.00 / FT.
100V	⊙	2.85 / FT.	109NSS		25.75 / FT.	122NB		9.00 / FT.
100VA	⊙	3.65 / FT.	110NA		4.08 / FT.	122NDKB		8.50 / FT.
100VB	⊙	5.45 / FT.	110NB		6.00 / FT.	122NSS		25.75 / FT.
100VDKB	⊙	4.90 / FT.	110NDKB		5.25 / FT.	125NA		5.44 / FT.
101V		3.85 / FT.	110SA		5.58 / FT.	125NA (SET)		10.88 / FT.



Fast Attach Two Way Tape Available  
-Specify "FATT" & add 1.30 per Foot

\* NF Notched Fins - Add \$3.30 Per Foot  
\* EC End Caps - Add \$8.10 Per Set

125NB	8.08 / FT.	134NA	4.55 / FT.	140PA (SET)	⊗	31.60 / FT.
125NB (SET)	16.16 / FT.	134NB	6.55 / FT.	140PDKB	⊗	20.30 / FT.
125NDKB	6.78 / FT.	134NDKB	6.00 / FT.	140PDKB (SET)	⊗	40.60 / FT.
125NDKB (SET)	13.56 / FT.	134SA	6.10 / FT.	140SA	⊗	16.25 / FT.
125NSS	25.00 / FT.	134SB	8.10 / FT.	140SA (SET)	⊗	32.50 / FT.
125NSS (SET)	50.00 / FT.	134SDKB	7.55 / FT.	140SDKB	⊗	20.80 / FT.
127NA	3.95 / FT.	135N	⊗ 3.85 / FT.	140SDKB (SET)	⊗	41.60 / FT.
127NB	6.45 / FT.	135NA	⊗ 5.00 / FT.	141NA	⊗	16.30 / FT.
127NDKB	5.55 / FT.	135NB	⊗ 6.15 / FT.	141NDKB	⊗	21.30 / FT.
127NSS	22.00 / FT.	135NDKB	⊗ 5.55 / FT.	141PA	⊗	16.10 / FT.
127SA	5.55 / FT.	136N	4.90 / FT.	141PDKB	⊗	20.60 / FT.
127SB	8.00 / FT.	136NDKB	8.15 / FT.	141SA	⊗	17.05 / FT.
127SDKB	7.25 / FT.	136P	4.05 / FT.	141SDKB	⊗	22.05 / FT.
127SSS	23.75 / FT.	136PDKB	7.30 / FT.	143NA		10.75 / FT.
129NA	6.75 / FT.	136S	5.50 / FT.	143NDKB		14.00 / FT.
129NB	9.25 / FT.	136SDKB	8.75 / FT.	143PA		10.25 / FT.
129NDKB	8.40 / FT.	137NA	6.05 / FT.	143PDKB		13.60 / FT.
129NSS	27.00 / FT.	137NA (SET)	12.10 / FT.	143SA		10.65 / FT.
129UA	8.50 / FT.	137NB	8.25 / FT.	143SDKB		14.00 / FT.
129UB	11.00 / FT.	137NB (SET)	16.50 / FT.	144A		16.00 / FT.
129UDKB	10.15 / FT.	137NDKB	7.15 / FT.	144DKB		20.25 / FT.
129USS	28.75 / FT.	137NDKB (SET)	14.30 / FT.	144PA		16.00 / FT.
130NA	4.95 / FT.	137SA	7.90 / FT.	144PA (SET)		32.00 / FT.
130NB	7.50 / FT.	137SA (SET)	15.80 / FT.	144PDKB		20.25 / FT.
130NBR	22.00 / FT.	137SB	10.15 / FT.	144PDKB (SET)		40.50 / FT.
130NDKB	6.55 / FT.	137SB (SET)	20.30 / FT.	144SA		16.50 / FT.
130NSS	24.25 / FT.	137SDKB	9.05 / FT.	144SA (SET)		33.00 / FT.
130SA	6.70 / FT.	137SDKB (SET)	18.10 / FT.	144SDKB		20.80 / FT.
130SB	9.25 / FT.	139A	6.36 / FT.	144SDKB (SET)		41.60 / FT.
130SBR	23.75 / FT.	139ALD	31.86 / FT.	149MA (SET)	⊗	19.70 / FT.
130SDKB	8.30 / FT.	139BR	97.00 / FT.	149MB (SET)	⊗	25.50 / FT.
130SSS	26.00 / FT.	139DKB	8.25 / FT.	149MDKB (SET)	⊗	24.30 / FT.
131NA	4.80 / FT.	139DKBLD	33.75 / FT.	150UA		7.80 / FT.
131NB	7.00 / FT.	139SP	6.40 / FT.	150UB		10.25 / FT.
131NDKB	6.45 / FT.	139SPDKB	8.40 / FT.	150UDKB		9.80 / FT.
132NA	5.20 / FT.	139SPLD	31.90 / FT.	151N		4.78 / FT.
132NB	7.45 / FT.	139SS	27.00 / FT.	151N (SET)		9.56 / FT.
132NDKB	6.85 / FT.	139SSLD	52.50 / FT.	151S		5.60 / FT.
133NA	5.77 / FT.	140A	⊗ 15.80 / FT.	151S (SET)		11.20 / FT.
133NB	7.97 / FT.	140DKB	⊗ 20.30 / FT.	151V		4.00 / FT.
133NDKB	7.42 / FT.	140PA	⊗ 15.80 / FT.	151V (SET)		8.00 / FT.



Fast Attach Two Way Tape Available  
 -Specify "FATT" & add 1.30 per Foot



Thresholds & Gasketing

152S		2.62 / FT.	160VA	⊙	2.56 / FT.	172SB	⊙	8.40 / FT.
152SA		3.70 / FT.	160VB	⊙	3.56 / FT.	172SDKB	⊙	7.90 / FT.
152SB		4.77 / FT.	160VDKB	⊙	3.16 / FT.	172VA	⊙	3.93 / FT.
152SDKB		4.37 / FT.	161NA	⊙	5.65 / FT.	172VB	⊙	6.23 / FT.
152V		1.55 / FT.	161NDKB	⊙	6.25 / FT.	172VDKB	⊙	5.73 / FT.
152VA		2.63 / FT.	161PA	⊙	3.28 / FT.	176A	⊙	5.35 / FT.
152VB		3.70 / FT.	161PDKB	⊙	3.88 / FT.	176DKB	⊙	7.35 / FT.
152VDKB		3.30 / FT.	161SA	⊙	4.35 / FT.	178SA	⊙	5.60 / FT.
155V	⊙	1.54 / FT.	161SDKB	⊙	5.00 / FT.	178SDKB	⊙	7.65 / FT.
155VB	⊙	4.33 / FT.	161UA	⊙	5.60 / FT.	PF180 (36", 48", 86", 96", 120")		1.67 / FT.
155VDKB	⊙	3.90 / FT.	161UDKB	⊙	6.20 / FT.	PF183 (36", 48", 86", 96", 120")		2.57 / FT.
155S	⊙	3.25 / FT.	161VA	⊙	3.23 / FT.	184QA		6.33 / FT.
155SB	⊙	5.95 / FT.	161VDKB	⊙	3.83 / FT.	184QB		8.58 / FT.
155SDKB	⊙	5.55 / FT.	162S		4.57 / FT.	184QDKB		7.88 / FT.
156S		2.70 / FT.	162SA		5.60 / FT.	185P	⊙	2.61 / FT.
156SDKB		4.30 / FT.	162SB		7.15 / FT.	185PA	⊙	3.61 / FT.
156V		1.51 / FT.	162SDKB		6.63 / FT.	185PB	⊙	4.71 / FT.
156VDKB		3.18 / FT.	164V	⊙	1.60 / FT.	185PDKB	⊙	4.21 / FT.
157MA	⊙	8.10 / FT.	164VA	⊙	2.70 / FT.	189MA (SET)	⊙	18.70 / FT.
157MDKB	⊙	10.40 / FT.	164VB	⊙	3.70 / FT.	189MDKB (SET)	⊙	23.30 / FT.
158NA	⊙	7.12 / FT.	164VDKB	⊙	3.30 / FT.	197NA		7.95 / FT.
158NDKB	⊙	9.20 / FT.	165NA	⊙	4.85 / FT.	197NB		10.20 / FT.
158PA	⊙	6.44 / FT.	165NDKB	⊙	6.50 / FT.	197NDKB		9.55 / FT.
158PDKB	⊙	8.52 / FT.	165SA	⊙	7.15 / FT.	198NA		5.75 / FT.
158SA	⊙	7.53 / FT.	165SDKB	⊙	8.80 / FT.	198NB		8.00 / FT.
158SDKB	⊙	9.53 / FT.	170NA	⊙	6.70 / FT.	198NDKB		7.35 / FT.
158VA	⊙	6.27 / FT.	170NB	⊙	9.80 / FT.	198UA		9.35 / FT.
158VDKB	⊙	8.35 / FT.	170NDKB	⊙	9.30 / FT.	198UB		11.60 / FT.
159MA	⊙	8.60 / FT.	170PA	⊙	6.15 / FT.	198UDKB		10.85 / FT.
159MB	⊙	11.50 / FT.	170PB	⊙	9.35 / FT.	199NA		7.15 / FT.
159MDKB	⊙	10.90 / FT.	170PDKB	⊙	8.75 / FT.	199NB		9.35 / FT.
160S	⊙	2.58 / FT.	170SA	⊙	7.15 / FT.	199NDKB		8.65 / FT.
160SA	⊙	3.68 / FT.	170SB	⊙	10.35 / FT.	200NA		4.60 / FT.
160SB	⊙	4.68 / FT.	170SDKB	⊙	9.75 / FT.	200NB		6.80 / FT.
160SDKB	⊙	4.28 / FT.	170VA	⊙	5.80 / FT.	200NBR		22.35 / FT.
160U	⊙	3.80 / FT.	170VB	⊙	9.00 / FT.	200NDKB		6.10 / FT.
160UA	⊙	4.90 / FT.	170VDKB	⊙	8.40 / FT.	200NSS		25.25 / FT.
160UB	⊙	5.90 / FT.	172NA	⊙	5.05 / FT.	200SA		6.85 / FT.
160UDKB	⊙	5.50 / FT.	172NB	⊙	7.35 / FT.	200SB		9.05 / FT.
160V(12 PACK) 3'X7'	⊙	24.82 / SET	172NDKB	⊙	6.85 / FT.	200SBR		24.60 / FT.
160V	⊙	1.46 / FT.	172SA	⊙	6.10 / FT.	200SDKB		8.35 / FT.



Fast Attach Two Way Tape Available  
-Specify "FATT" & add 1.30 per Foot

200SSS	27.50 / FT.	220SB-60"	158.75 / EA.	222NA-48"	86.00 / EA.
200UA	9.10 / FT.	220SDKB-36"	86.75 / EA.	222NA-60"	112.75 / EA.
200UB	11.30 / FT.	(24" and under - add \$30)		222NB-36"	85.00 / EA.
200UBR	26.85 / FT.	220SDKB-48"	113.00 / EA.	(24" and under - add \$30)	
200UDKB	10.60 / FT.	220SDKB-60"	148.25 / EA.	222NB-48"	109.00 / EA.
200USS	29.75 / FT.	220WHA-36"	65.75 / EA.	222NB-60"	143.00 / EA.
201NA	6.00 / FT.	(24" and under - add \$30)		222NDKB-36"	77.30 / EA.
201NB	8.30 / FT.	220WHA-48"	85.00 / EA.	(24" and under - add \$30)	
201NDKB	7.60 / FT.	220WHA-60"	111.25 / EA.	222NDKB-48"	99.00 / EA.
202NA	8.65 / FT.	220WHB-36"	83.75 / EA.	222NDKB-60"	132.00 / EA.
202NB	11.95 / FT.	(24" and under - add \$30)		222SA-36"	78.25 / EA.
202NDKB	10.95 / FT.	220WHB-48"	108.00 / EA.	(24" and under - add \$30)	
203NA	12.12 / FT.	220WHB-60"	141.25 / EA.	222SA-48"	101.75 / EA.
203NB	15.37 / FT.	220WHDKB-36"	76.25 / EA.	222SA-60"	133.00 / EA.
203NDKB	14.22 / FT.	(24" and under - add \$30)		222SB-36"	96.50 / EA.
203NA (MONORAIL)	161.00 / EA.	220WHDKB-48"	99.00 / EA.	(24" and under - add \$30)	
203NB (MONORAIL)	181.00 / EA.	220WHDKB-60"	131.21 / EA.	222SB-48"	124.50 / EA.
203NDKB (MONORAIL)	176.00 / EA.	221NBR-36"	153.00 / EA.	222SB-60"	162.50 / EA.
211	7.35 / FT.	(24" and under - add \$30)		222SDKB-36"	89.00 / EA.
211DKB	11.75 / FT.	221NBR-48"	201.00 / EA.	(24" and under - add \$30)	
215	6.15 / FT.	221NBR-60"	255.00 / EA.	222SDKB-48"	116.00 / EA.
215DKB	8.45 / FT.	221NSS-36"	110.00 / EA.	222SDKB-60"	152.00 / EA.
215BR	60.00 / FT.	(24" and under - add \$30)		222WHA-36"	68.00 / EA.
220NA-36"	64.00 / EA.	221NSS-48"	144.00 / EA.	222WHA-48"	88.00 / EA.
(24" and under - add \$30)		221NSS-60"	185.00 / EA.	222WHA-60"	115.00 / EA.
220NA-48"	83.00 / EA.	221SBR-36"	166.00 / EA.	222WHB-36"	86.00 / EA.
220NA-60"	109.00 / EA.	(24" and under - add \$30)		(24" and under - add \$30)	
220NB-36"	82.50 / EA.	221SBR-48"	219.00 / EA.	222WHB-48"	111.00 / EA.
(24" and under - add \$30)		221SBR-60"	276.00 / EA.	222WHB-60"	145.00 / EA.
220NB-48"	106.00 / EA.	221SSS-36"	124.50 / EA.	222WHDKB-36"	79.00 / EA.
220NB-60"	138.50 / EA.	(24" and under - add \$30)		(24" and under - add \$30)	
220NDKB-36"	75.00 / EA.	221SSS-48"	163.00 / EA.	222WHDKB-48"	102.00 / EA.
(24" and under - add \$30)		221SSS-60"	209.00 / EA.	222WHDKB-60"	135.00 / EA.
220NDKB-48"	96.00 / EA.	221WHBR-36"	155.00 / EA.	223NA-36"	66.50 / EA.
220NDKB-60"	128.25 / EA.	(24" and under - add \$30)		(24" and under - add \$30)	
220SA-36"	76.00 / EA.	221WHBR-48"	205.00 / EA.	223NA-48"	86.00 / EA.
(24" and under - add \$30)		221WHBR-60"	260.00 / EA.	223NB-36"	85.00 / EA.
220SA-48"	100.00 / EA.	221WHSS-36"	112.00 / EA.	(24" and under - add \$30)	
220SA-60"	129.25 / EA.	(24" and under - add \$30)		223NB-48"	109.00 / EA.
220SB-36"	94.25 / EA.	221WHSS-48"	147.00 / EA.	223NDKB-36"	77.30 / EA.
(24" and under - add \$30)		221WHSS-60"	189.00 / EA.	(24" and under - add \$30)	
220SB-48"	121.50 / EA.	222NA-36"	66.50 / EA.		
		(24" and under - add \$30)			

Automatic Door Bottoms:  
 Other than stock sizes, price at next highest price.

Lead Lined where available  
 for Automatic Door Bottoms

Up to 36" add \$50.00  
 Up to 48" add \$65.00  
 Up to 60" add \$80.00



Thresholds & Gasketing

223NDKB-48"	99.00 / EA.	229WHSS-36"	133.00 / EA.	310WHA-36"	62.00 / EA.
223SA-36"	78.25 / EA.	(24" and under - add \$30)		(24" and under - add \$30)	
(24" and under - add \$30)		229WHSS-48"	174.75 / EA.	310WHA-48"	80.00 / EA.
223SA-48"	101.75 / EA.	229WHSS-60"	223.50 / EA.	310WHA-60"	105.00 / EA.
223SB-36"	96.50 / EA.	254P	10.65 / FT.	310WHB-36"	80.00 / EA.
(24" and under - add \$30)		254PDKB	12.75 / FT.	(24" and under - add \$30)	
223SB-48"	124.50 / EA.	284Q	2.30 / FT.	310WHB-48"	103.00 / EA.
223SDKB-36"	89.00 / EA.	303NA	⊙ 16.35 / FT.	310WHB-60"	135.00 / EA.
(24" and under - add \$30)		303NB	⊙ 20.95 / FT.	310WHDKB-36"	73.00 / EA.
223SDKB-48"	115.25 / EA.	303NDKB	⊙ 19.35 / FT.	(24" and under - add \$30)	
225N-36"	57.00 / EA.	304NA	⊙ 19.85 / FT.	310WHDKB-48"	94.00 / EA.
(24" and under - add \$30)		304NB	⊙ 24.35 / FT.	310WHDKB-60"	125.00 / EA.
225N-48"	73.50 / EA.	304NDKB	⊙ 22.85 / FT.	312V	3.55 / FT.
225N-60"	97.25 / EA.	305NA	⊙ 19.95 / FT.	312V x 131N	5.05 / FT.
225S-36" (*STC2)	69.50 / EA.	305NB	⊙ 24.60 / FT.	312VDKB	5.85 / FT.
(24" and under - add \$30)		305NDKB	⊙ 23.10 / FT.	312VDKB x 131N	7.35 / FT.
225S-48" (*STC2)	90.00 / EA.	310NA-36"	60.50 / EA.	313VA	5.80 / FT.
225S-60" (*STC2)	118.00 / EA.	(24" and under - add \$30)		313VDKB	7.95 / FT.
225WH-36"	59.00 / EA.	310NA-48"	78.00 / EA.	315	9.20 / FT.
(24" and under - add \$30)		310NA-60"	102.75 / EA.	315BR	98.00 / FT.
225WH-48"	77.50 / EA.	310NB-36"	79.00 / EA.	315DKB	11.70 / FT.
225WH-60"	102.00 / EA.	(24" and under - add \$30)		318V	5.40 / FT.
229NBR-36"	165.00 / EA.	310NB-48"	101.00 / EA.	318VDKB	8.50 / FT.
(24" and under - add \$30)		310NB-60"	133.00 / EA.	319V	6.55 / FT.
229NBR-48"	217.00 / EA.	310NDKB-36"	71.30 / EA.	319VB	10.65 / FT.
229NBR-60"	275.00 / EA.	(24" and under - add \$30)		319VDKB	9.65 / FT.
229NSS-36"	122.00 / EA.	310NDKB-48"	91.00 / EA.	319ET (*NF)	6.15 / FT.
(24" and under - add \$30)		310NDKB-60"	122.00 / EA.	319ETDKB (*NF)	8.15 / FT.
229NSS-48"	160.00 / EA.	310SA-36"	72.25 / EA.	319ET6	6.56 / FT.
229NSS-60"	205.00 / EA.	(24" and under - add \$30)		319ET6DKB	8.56 / FT.
229SBR-36" 181.00 / EA.		310SA-48"	93.75 / EA.	319EV	5.15 / FT.
(24" and under - add \$30)		310SA-60"	123.00 / EA.	319EVDKB	7.15 / FT.
229SBR-48"	235.00 / EA.	310SB-36"	90.50 / EA.	320N-36"	48.50 / EA.
229SBR-60"	296.00 / EA.	(24" and under - add \$30)		(24" and under - add \$30)	
229SSS-36"	143.50 / EA.	310SB-48"	116.50 / EA.	320N-48"	63.50 / EA.
(24" and under - add \$30)		310SB-60"	152.50 / EA.	320S-36"	54.00 / EA.
229SSS-48"	188.75 / EA.	310SDKB-36"	83.00 / EA.	(24" and under - add \$30)	
229SSS-60"	241.00 / EA.	(24" and under - add \$30)		320S-48"	70.50 / EA.
229WHBR-36"	170.50 / EA.	310SDKB-48"	108.00 / EA.	320V-36"	48.00 / EA.
(24" and under - add \$30)		310SDKB-60"	142.00 / EA.	(24" and under - add \$30)	
229WHBR-48"	224.75 / EA.			320V-48"	63.00 / EA.
229WHBR-60"	286.00 / EA.				



Fast Attach Two Way Tape Available  
-Specify "FATT" & add 1.30 per Foot

Automatic Door Bottoms:  
Other than stock sizes, price at next highest price.

\* STC2 Acoustic Fins - \$16  
STC2-PR Acoustic Fins (Pairs) - Add \$19

321	6.00 / FT.	398	12.95 / FT.	420NDKB-36"	110.00 / EA.
321DKB	8.15 / FT.	399	13.15 / FT.	(24" and under - add \$30)	
322	8.00 / FT.	400	16.90 / FT.	420NDKB-48"	146.65 / EA.
322BR	92.50 / FT.	401	12.30 / FT.	420NDKB-60"	183.35 / EA.
322DKB	10.50 / FT.	402	12.90 / FT.	421NA-36"	123.00 / EA.
322X355X327	33.75 / FT.	402X400X402	42.70 / FT.	(24" and under - add \$30)	
322DKBX355DKBX		402X400X400X402	59.60 / FT.	421NA-48"	164.00 / EA.
327DKB	44.40 / FT.	404	9.88 / FT.	421NA-60"	205.00 / EA.
323 (**)	9.20 / FT.	404DKB	13.44 / FT.	421NA-96"	328.00 / EA.
323DKB (**)	11.70 / FT.	407	12.50 / FT.	421NA-120"	410.00 / EA.
324	18.15 / FT.	410	5.55 / FT.	421NA-144"	492.00 / EA.
324DKB	25.60 / FT.	410DKB	8.08 / FT.	421NB-36"	138.00 / EA.
325	20.70 / FT.	411	7.40 / FT.	(24" and under - add \$30)	
325BR	235.00 / FT.	411BR	88.00 / FT.	421NB-48"	184.00 / EA.
325DKB	28.00 / FT.	411DKB	10.00 / FT.	421NB-60"	230.00 / EA.
325HD	32.00 / FT.	412	9.60 / FT.	421NB-96"	368.00 / EA.
325HDDKB	39.00 / FT.	412DKB	13.65 / FT.	421NB-120"	460.00 / EA.
325HDX325HD Welded	73.50 / FT.	412SS	97.00 / FT.	421NB-144"	552.00 / EA.
325HDDKBX		413	6.88 / FT.	421NDKB-36"	132.00 / EA.
325HDDKB Welded	87.50 / FT.	413BR	108.00 / FT.	(24" and under - add \$30)	
327	9.80 / FT.	413DKB	11.50 / FT.	421NDKB-48"	176.00 / EA.
327BR	130.00 / FT.	413FC	7.50 / FT.	421NDKB-60"	220.00 / EA.
327DKB	13.60 / FT.	413FCDKB	12.50 / FT.	421NDKB-96"	352.00 / EA.
331-36"	12.50 / EA.	413SS	97.00 / FT.	421NDKB-120"	440.00 / EA.
331-48"	16.67 / EA.	414	5.55 / FT.	421NDKB-144"	528.00 / EA.
335N-36"	49.00 / EA.	414DKB	7.75 / FT.	422N-36"	95.00 / EA.
(24" and under - add \$30)		415	12.90 / FT.	(24" and under - add \$30)	
335N-48"	63.33 / EA.	415BR	145.00 / FT.	422N-48"	126.67 / EA.
335S-36" (*STC2)	63.60 / EA.	415DKB	16.00 / FT.	422N-60"	158.33 / EA.
(24" and under - add \$30)		416	5.80 / FT.	423N-36"	92.00 / EA.
335S-48" (*STC2)	82.80 / EA.	416DKB	9.55 / FT.	(24" and under - add \$30)	
336P	2.30 / FT.	417	9.25 / FT.	423N-48"	122.65 / EA.
340P	2.20 / FT.	417DKB	11.25 / FT.	424	8.24 / FT.
344-36"	23.70 / EA.	420NA-36"	98.00 / EA.	424BR	118.00 / FT.
344-48"	31.60 / EA.	(24" and under - add \$30)		424DKB	11.95 / FT.
344NF-36"	27.80 / EA.	420NA-48"	130.65 / EA.	424E	7.93 / FT.
344NF-48"	37.05 / EA.	420NA-60"	163.35 / EA.	424EDKB	11.63 / FT.
350	12.45 / FT.	420NB-36"	117.00 / EA.	424FC	8.85 / FT.
350BR	148.00 / FT.	(24" and under - add \$30)		424FCDKB	12.85 / FT.
350DKB	16.75 / FT.	420NB-48"	156.00 / EA.	425	11.80 / FT.
355	16.00 / FT.	420NB-60"	195.00 / EA.	425BR	154.00 / FT.
355DKB	20.30 / FT.			425DKB	17.00 / FT.

\*\* VINYL FOOT SEAL (V) –  
 add .46 Per Foot Per Side

\* NF Notched Fins - Add \$3.30 Per Foot  
 \* STC2 Acoustic Fins - \$16  
 STC2-PR Acoustic Fins (Pairs) - Add \$19

Lead Lined where available  
 for Automatic Door Bottoms

Up to 36" add \$50.00  
 Up to 48" add \$65.00  
 Up to 60" add \$80.00



Thresholds & Gasketing

425E (**)	10.25 / FT.	512	12.85 / FT.	601DKB	⊙	8.55 / FT.
425EDKB (**)	15.50 / FT.	512DKB	17.75 / FT.	602A	⊙	4.75 / FT.
425FC	11.25 / FT.	512SS	102.00 / FT.	602DKB	⊙	6.40 / FT.
425FCDKB	16.25 / FT.	513	10.25 / FT.	603A	⊙	7.05 / FT.
425HD	29.30 / FT.	513BR	129.00 / FT.	603DKB	⊙	8.60 / FT.
425HDDKB	37.50 / FT.	513DKB	15.75 / FT.	A605A	⊙	3.60 / FT.
426	14.80 / FT.	513FC	11.50 / FT.	A605A (SET)	⊙	7.20 / FT.
426BR	183.00 / FT.	513FCDKB	17.50 / FT.	A605B	⊙	5.75 / FT.
426DKB	20.00 / FT.	513HD	26.20 / FT.	A605B (SET)	⊙	11.50 / FT.
426E (**)	12.80 / FT.	513HDDKB	33.20 / FT.	A605DKB	⊙	5.25 / FT.
426EDKB (**)	17.80 / FT.	513SS	102.00 / FT.	A605DKB (SET)	⊙	10.50 / FT.
426HD	35.35 / FT.	515	9.10 / FT.	B606A	⊙	4.05 / FT.
426HDDKB	44.45 / FT.	515DKB	11.50 / FT.	B606A (SET)	⊙	8.10 / FT.
427	20.30 / FT.	520NA-36"	99.50 / EA.	B606B	⊙	6.25 / FT.
427BR	227.00 / FT.	(24" and under - add \$30)		B606B (SET)	⊙	12.50 / FT.
427DKB	24.60 / FT.	520NA-48"	132.65 / EA.	B606DKB	⊙	5.70 / FT.
427E (**)	17.40 / FT.	520NA-60"	165.85 / EA.	B606DKB (SET)	⊙	11.40 / FT.
427EDKB (**)	22.50 / FT.	520NB-36"	118.50 / EA.	C607A	⊙	4.50 / FT.
427FC	20.00 / FT.	(24" and under - add \$30)		C607B	⊙	6.75 / FT.
427FCDKB	25.00 / FT.	520NB-48"	158.00 / EA.	C607DKB	⊙	6.40 / FT.
428BR	303.00 / FT.	520NB-60"	197.50 / EA.	D608A	⊙	6.40 / FT.
428E (**)	22.20 / FT.	520NDKB-36"	111.50 / EA.	D608B	⊙	8.75 / FT.
428EDKB (**)	30.00 / FT.	(24" and under - add \$30)		D608DKB	⊙	8.30 / FT.
428FC	24.50 / FT.	520NDKB-48"	148.65 / EA.	G610A	⊙	14.60 / FT.
428FCDKB	33.00 / FT.	520NDKB-60"	185.85 / EA.	G610B	⊙	17.00 / FT.
429BR	325.00 / FT.	522N-36"	93.50 / EA.	G610DKB	⊙	16.40 / FT.
429E (**)	24.95 / FT.	(24" and under - add \$30)		G611A	⊙	20.25 / FT.
429EDKB (**)	33.25 / FT.	522N-48"	124.65 / EA.	G611DKB	⊙	22.75 / FT.
430BR	345.00 / FT.	522N-60"	158.85 / FT.	H612A	⊙	15.00 / FT.
430E (**)	28.00 / FT.	525	15.75 / FT.	H612B	⊙	17.60 / FT.
430EDKB (**)	36.00 / FT.	525DKB	19.00 / FT.	H612DKB	⊙	17.00 / FT.
442BR	130.00 / FT.	600	⊙ 4.60 / FT.	612SS		155.00 / FT.
457	16.80 / FT.	600 (SET)	⊙ 9.20 / FT.	613		12.85 / FT.
457DKB	23.80 / FT.	600A	⊙ 4.90 / FT.	613BR		184.00 / FT.
458	23.50 / FT.	600A (SET)	⊙ 9.80 / FT.	613DKB		17.85 / FT.
458DKB	25.50 / FT.	600B	⊙ 7.00 / FT.	613HD		31.30 / FT.
473BR	101.00 / FT.	600B (SET)	⊙ 14.00 / FT.	613HDDKB		39.80 / FT.
483BR	130.00 / FT.	600DKB	⊙ 6.55 / FT.	613SS		155.00 / FT.
(Add for Bronze Pan 4.75 per foot)		600DKB (SET)	⊙ 13.10 / FT.	H614A	⊙	22.50 / FT.
484BR	134.00 / FT.	601	⊙ 6.60 / FT.	H614DKB	⊙	25.00 / FT.
(Add for Bronze Pan 4.75 per foot)		601A	⊙ 6.90 / FT.	I-615A	⊙	19.50 / FT.
		601B	⊙ 9.00 / FT.			



Fast Attach Two Way Tape Available -Specify "FATT" & add 1.30 per Foot

\*\* VINYL FOOT SEAL (V) – add .46 Per Foot Per Side

Lead Lined where available for Automatic Door Bottoms

Up to 36" add \$50.00  
Up to 48" add \$65.00  
Up to 60" add \$80.00



I-615B	⊙	23.00 / FT.	654DKB		18.00 / FT.	680DKB-36"		118.00 / EA.
I-615DKB	⊙	21.75 / FT.	655		14.40 / FT.	(24" and under - add \$30)		
I-616A	⊙	24.50 / FT.	655DKB		21.40 / FT.	680DKB-48"		157.33 / EA.
I-616DKB	⊙	27.00 / FT.	656		18.25 / FT.	680DKB-60"		196.67 / EA.
A617A	⊙	3.87 / FT.	656DKB		24.25 / FT.	682-36"		101.00 / EA.
A617DKB	⊙	6.20 / FT.	657		12.65 / FT.	(24" and under - add \$30)		
C619A	⊙	5.75 / FT.	657DKB		19.65 / FT.	682-48"		134.67 / EA.
C619DKB	⊙	8.00 / FT.	659		17.00 / FT.	682-60"		168.33 / EA.
D620A	⊙	6.40 / FT.	659DKB		23.00 / FT.	683-36"		101.00 / EA.
D620B	⊙	9.25 / FT.	672A	⊙	5.85 / FT.	(24" and under - add \$30)		
D620DKB	⊙	8.75 / FT.	672A (SET)	⊙	11.70 / FT.	683-48"		134.67 / EA.
G622A	⊙	15.15 / FT.	672B	⊙	8.50 / FT.	C697A	⊙	7.42 / FT.
G622DKB	⊙	17.50 / FT.	672B (SET)	⊙	17.00 / FT.	C697B	⊙	9.72 / FT.
H623A	⊙	15.45 / FT.	672DKB	⊙	7.85 / FT.	C697DKB	⊙	9.37 / FT.
H623DKB	⊙	17.80 / FT.	672DKB (SET)	⊙	15.70 / ST.	D698A	⊙	9.50 / FT.
I-624A	⊙	19.75 / FT.	673A	⊙	6.60 / FT.	D698B	⊙	11.70 / FT.
I-624DKB	⊙	22.10 / FT.	673B	⊙	9.35 / FT.	D698DKB	⊙	11.30 / FT.
A625A		3.85 / FT.	673DKB	⊙	8.60 / FT.	C699A	⊙	9.00 / FT.
A625B		7.25 / FT.	674A	⊙	8.55 / FT.	C699B	⊙	11.00 / FT.
A625DKB		6.75 / FT.	674B	⊙	11.20 / FT.	C699DKB	⊙	10.50 / FT.
F625A		4.75 / FT.	674DKB	⊙	10.55 / FT.	700EN		6.70 / FT.
F625B		8.15 / FT.	675A	⊙	6.15 / FT.	700ENDKB		8.50 / FT.
F625DKB		6.65 / FT.	675A (SET)	⊙	12.30 / FT.	700ES		7.35 / FT.
A626A	⊙	3.75 / FT.	675B	⊙	9.35 / FT.	700ESDKB		9.15 / FT.
A626B	⊙	6.05 / FT.	675B (SET)	⊙	18.70 / FT.	700EU		7.50 / FT.
A626DKB	⊙	5.40 / FT.	675DKB	⊙	8.75 / FT.	700EUDKB		9.30 / FT.
C627A	⊙	6.15 / FT.	675DKB (SET)	⊙	17.50 / FT.	700EV (*)		6.00 / FT.
C627B	⊙	8.25 / FT.	678A	⊙	6.90 / FT.	700EVDKB (*)		7.85 / FT.
C627DKB	⊙	7.75 / FT.	678B	⊙	10.10 / FT.	700N	⊙	7.75 / FT.
OV633A	⊙	6.35 / FT.	678DKB	⊙	9.50 / FT.	700NA	⊙	8.35 / FT.
OV633B	⊙	8.75 / FT.	679A	⊙	7.90 / FT.	700NB	⊙	10.95 / FT.
OV633DKB	⊙	8.25 / FT.	679B	⊙	11.10 / FT.	700NDKB	⊙	9.60 / FT.
OV634A	⊙	5.55 / FT.	679DKB	⊙	10.50 / FT.	700S	⊙	8.40 / FT.
OV634B	⊙	7.95 / FT.	680A-36"		104.00 / EA.	700SA	⊙	9.00 / FT.
OV634DKB	⊙	7.45 / FT.	(24" and under - add \$30)			700SB	⊙	11.60 / FT.
A635		4.35 / FT.	680A-48"		138.67 / EA.	700SDKB	⊙	10.25 / FT.
D648	⊙	6.40 / FT.	680A-60"		173.33 / EA.	700U	⊙	8.55 / FT.
D648DKB	⊙	8.75 / FT.	680B-36"		125.00 / EA.	700UA	⊙	9.15 / FT.
653		13.35 / FT.	(24" and under - add \$30)			700UB	⊙	11.75 / FT.
653DKB		19.50 / FT.	680B-48"		166.67 / EA.	700UDKB	⊙	10.40 / FT.
654		10.00 / FT.	680B-60"		208.33 / EA.	701EP		7.50 / FT.



Fast Attach Two Way Tape Available  
 -Specify "FATT" & add 1.30 per Foot

Automatic Door Bottoms:  
 Other than stock sizes, price at next highest price.



Thresholds & Gasketing

701EPDKB		9.30 / FT.	803VDKB (*)	18.90 / FT.	884-6V (*)	42.85 / FT.
701P	⊙	8.55 / FT.	804V (*)	13.25 / FT.	884-6VDKB (*)	52.25 / FT.
701PA	⊙	9.15 / FT.	804VDKB (*)	18.25 / FT.	884-7V (*)	42.85 / FT.
701PB	⊙	11.75 / FT.	812SS	198.00 / FT.	884-7VDKB (*)	52.25 / FT.
701PDKB	⊙	10.40 / FT.	813	20.90 / FT.	884-8V (*)	42.85 / FT.
704EV		6.00 / FT.	813BR	262.00 / FT.	884-8VDKB (*)	52.25 / FT.
704EVDKB		7.85 / FT.	813DKB	27.00 / FT.	885V (*)	43.75 / FT.
704V	⊙	7.15 / FT.	813FC	21.50 / FT.	885VDKB (*)	54.00 / FT.
704VA	⊙	7.75 / FT.	813FCDKB	27.75 / FT.	885-6V(*)	43.75 / FT.
704VB	⊙	10.40 / FT.	813SS	198.00 / FT.	885-6VDKB (*)	54.00 / FT.
704VDKB	⊙	9.05 / FT.	814	See page 7	885-7V(*)	43.75 / FT.
705EV		6.00 / FT.	814SS	See page 7	885-7VDKB (*)	54.00 / FT.
705EVDKB		7.85 / FT.	816NA	11.75 / FT.	890V (*)	14.00 / FT.
705V	⊙	7.20 / FT.	816NDKB	13.90 / FT.	890VB (*)	19.75 / FT.
705VA	⊙	7.75 / FT.	816TA	10.75 / FT.	890VDKB (*)	18.95 / FT.
705VB	⊙	10.40 / FT.	816TDKB	12.90 / FT.	891V (*)	12.15 / FT.
705VDKB	⊙	9.05 / FT.	816T6A	11.00 / FT.	891VDKB (*)	17.55 / FT.
706A	⊙	8.75 / FT.	816T6DKB	13.15 / FT.	895VBR (*)	155.00 / FT.
706B	⊙	11.40 / FT.	816VA	9.50 / FT.	896V-ADJ (*)	15.75 / FT.
706DKB	⊙	10.05 / FT.	816VDKB	11.65 / FT.	896HDV (*)	22.00 / FT.
706E		7.25 / FT.	818	See page 7	896HDVDKB (*)	28.50 / FT.
706EDKB		9.05 / FT.	818BR	See page 7	896V (*)	11.25 / FT.
712SS		176.50 / FT.	818SS	See page 7	896VBR (*)	139.00 / FT.
713		17.45 / FT.	819NA	12.85 / FT.	896VDKB (*)	14.75 / FT.
713BR		210.00 / FT.	819NDKB	15.00 / FT.	896SS (*)	184.75 / FT.
713DKB		22.70 / FT.	819TA	11.85 / FT.	897V (*,**)	16.50 / FT.
713FC		18.80 / FT.	819TDKB	14.00 / FT.	897VDKB (*,**)	21.25 / FT.
713FCDKB		24.00 / FT.	819T6A	12.10 / FT.	897NS (**)	20.00 / FT.
713SS		176.50 / FT.	819T6DKB	14.25 / FT.	897NSDKB (**)	24.75 / FT.
780SA-36"		55.50 / EA.	819VA	10.60 / FT.	898V (*)	12.80 / FT.
(24" and under - add \$30)			819VDKB	12.75 / FT.	898VDKB (*)	17.30 / FT.
780SA-48"		74.00 / EA.	828	See page 7	912SS	219.50 / FT.
780SA-60"		92.50 / EA.	838	See page 7	913	24.15 / FT.
780SA-96"		148.00 / EA.	882	See page 7	913DKB	30.85 / FT.
780SDKB-36"		66.00 / EA.	883SS (*)	187.00 / FT.	913SS	219.50 / FT.
(24" and under - add \$30)			884B/SV (*)	10.25 / FT.	950V (*)	11.25 / FT.
780SDKB-48"		88.00 / EA.	884B/SVDKB (*)	14.50 / FT.	950VDKB (*)	14.75 / FT.
780SDKB-60"		110.00 / EA.	884V (*)	16.25 / FT.	951	19.00 / FT.
780SDKB-96"		176.00 / EA.	884VDKB (*)	20.75 / FT.	951DKB	24.00 / FT.
803V (*)		13.90 / FT.	884SS (*)	187.00 / FT.	953	12.75 / FT.



Fast Attach Two Way Tape Available  
-Specify "FATT" & add 1.30 per Foot

\* BUMPER SEAL OPTIONS - Add Per Foot:  
NGP-TPV (N) .85 • Pile (P) .17 • Silicone (S) .96

Automatic Door Bottoms:  
Other than stock sizes, price at next highest price.

953DKB	17.75 / FT.	<b>Finger Guards</b>	4440SDKB-60"	167.00 / EA.	
954	22.50 / FT.	2248A-38"	290.00 / EA.	4440SDKB-96"	228.50 / EA.
954DKB	28.50 / FT.	2248A-76"	355.00 / EA.	4440WHA-36"	107.25 / EA.
955	16.00 / FT.	2248A-82"	383.00 / EA.	4440WHA-48"	128.00 / EA.
955DKB	21.00 / FT.	2248A-86"	416.00 / EA.	4440WHA-60"	149.50 / EA.
957	30.75 / FT.	2248DKB-38"	311.00 / EA.	4440WHA-96"	211.00 / EA.
957DKB	37.75 / FT.	2248DKB-76"	375.00 / EA.	4440WHB-36"	123.25 / EA.
959	20.50 / FT.	2248DKB-82"	404.00 / EA.	4440WHB-48"	144.00 / EA.
959DKB	25.50 / FT.	2248DKB-86"	437.00 / EA.	4440WHB-60"	165.50 / EA.
960	41.50 / FT.	2252 B, C, W	161.00 / EA.	4440WHB-96"	227.00 / EA.
960DKB	48.00 / FT.	2525 B, C, W		4440WHDKB-36"	118.50 / EA.
961	31.00 / FT.	(17', 20', 21', 25', 300')	1.60 / FT.	4440WHDKB-48"	139.25 / EA.
961DKB	37.50 / FT.	3038NA	⊙ 17.50 / FT.	4440WHDKB-60"	160.75 / EA.
962	27.50 / FT.	3038NB	⊙ 22.50 / FT.	4440WHDKB-96"	222.25 / EA.
962DKB	34.00 / FT.	3038NDKB	⊙ 20.50 / FT.	4441SA-36"	113.50 / EA.
1000RA-5"	11.85 / FT.	3231	49.00 / FT.	4441SA-48"	133.25 / EA.
1000RA-10"	17.85 / FT.	3241	59.00 / FT.	4441SA-60"	153.75 / EA.
1000RA-16"	23.85 / FT.	3504	58.00 / FT.	4441SA-96"	215.25 / EA.
1000RB-5"	15.35 / FT.	3509	88.00 / FT.	4441SB-36"	129.50 / EA.
1000RB-10"	21.35 / FT.	3510	101.00 / FT.	4441SB-48"	150.25 / EA.
1000RB-16"	27.35 / FT.	3511	107.00 / FT.	4441SB-60"	171.75 / EA.
1000RDKB-5"	14.15 / FT.	4413-36"	278.00 / EA.	4441SB-96"	233.25 / EA.
1000RDKB-10"	20.15 / FT.	4413-48"	370.00 / EA.	4441SDKB-36"	124.75 / EA.
1000RDKB-16"	26.15 / FT.	4413-72"	555.00 / EA.	4441SDKB-48"	145.50 / EA.
1012SS	241.00 / FT.	4424-36"	278.00 / EA.	4441SDKB-60"	167.00 / EA.
1013	28.80 / FT.	4424-48"	370.00 / EA.	4441SDKB-96"	228.50 / EA.
1013DKB	35.35 / FT.	4424-72"	555.00 / EA.	4441WHA-36"	107.25 / EA.
1013SS	241.00 / FT.	4425-36"	350.00 / EA.	4441WHA-48"	128.00 / EA.
1015V	2.25 / FT.	4425-48"	465.00 / EA.	4441WHA-60"	149.50 / EA.
1015VDKB	3.80 / FT.	4425-72"	695.00 / EA.	4441WHA-96"	211.00 / EA.
1038NA	⊙ 17.00 / FT.	4425-96"	925.00 / EA.	4441WHB-36"	123.25 / EA.
1038NB	⊙ 22.00 / FT.	4440SA-36"	113.50 / EA.	4441WHB-48"	144.00 / EA.
1038NDKB	⊙ 20.00 / FT.	4440SA-48"	133.25 / EA.	4441WHB-60"	165.50 / EA.
1390SP-83-1/8"	111.85 / FT.	4440SA-60"	153.00 / EA.	4441WHB-96"	227.00 / EA.
1390SP-95-1/8"	127.85 / FT.	4440SA-96"	215.25 / EA.	4441WHDKB-36"	118.50 / EA.
1392SP	31.50 / FT.	4440SB-36"	129.50 / EA.	4441WHDKB-48"	139.25 / EA.
2014RA	10.15 / FT.	4440SB-48"	150.25 / EA.	4441WHDKB-60"	160.75 / EA.
2014RB	12.15 / FT.	4440SB-60"	171.25 / EA.	4441WHDKB-96"	222.25 / EA.
2014RDKB	11.15 / FT.	4440SB-96"	233.25 / EA.	4447S-36"	112.25 / EA.
		4440SDKB-36"	124.75 / EA.	4447S-48"	132.00 / EA.
		4440SDKB-48"	145.50 / EA.	4447S-60"	152.50 / EA.



Fast Attach Two Way Tape Available  
 -Specify "FATT" & add 1.30 per Foot

\* BUMPER SEAL OPTIONS - Add Per Foot:  
 NGP-TPV (N) .85 • Pile (P) .17 • Silicone (S) .96

\*\* VINYL FOOT SEAL (V) -  
 add .46 Per Foot Per Side



Thresholds & Gasketing

4447S-96"	214.00 / EA.	5075B	2.70 / FT.	8430BR	333.00 / FT.
4447WH-36"	106.00 / EA.	(36", 48", 72", 84", 96", 108")		8430DKB	37.35 / FT.
4447WH-48"	125.75 / EA.	5075CL	3.15 / FT.	8433 (*)	14.25 / FT.
4447WH-60"	148.25 / EA.	(36", 48", 72", 84", 96", 108")		8433DKB (*)	19.50 / FT.
4447WH-96"	209.75 / EA.	5100N-86"	23.25 / RL	8434V (*)	16.25 / FT.
4448S-36"	112.25 / EA.	5100N-96"	26.75 / RL	8434VDKB (*)	22.20 / FT.
4448S-48"	132.00 / EA.	5100S-86"	21.25 / RL	8435V (*)	18.25 / FT.
4448S-60"	152.50 / EA.	5100S-96"	24.50 / RL	8435VDKB (*)	24.70 / FT.
4448S-96"	214.00 / EA.	8013	26.70 / FT.	8436V (*)	20.60 / FT.
4448WH-36"	106.00 / EA.	8013DKB	34.40 / FT.	8436VDKB (*)	28.20 / FT.
4448WH-48"	125.75 / EA.	8113	28.40 / FT.	8437V (*)	23.35 / FT.
4448WH-60"	148.25 / EA.	8113DKB	36.30 / FT.	8437VDKB (*)	31.00 / FT.
4448WH-96"	209.75 / EA.	8132-96"	83.50 / PC.	8475	32.00 / FT.
4513-36"	347.00 / EA.	8132DKB-96"	123.50 / PC.	8475DKB	38.00 / FT.
4513-48"	463.00 / EA.	8133 thru 8134	See page 7	8513	15.00 / FT.
4513-72"	699.00 / EA.	8135V (*)	10.80 / FT.	8513DKB	19.75 / FT.
RR5007BL	22.00 / TUBE	8135VDKB (*)	14.10 / FT.	8533 (*)	16.40 / FT.
RR5007BL-12 Pack	254.00 / CS.	8136 thru 8170	See page 7	8533DKB (*)	22.10 / FT.
5020 B, C, W	2.00 / FT.	8213	31.50 / FT.	8613	18.20 / FT.
(36", 48", 72", 84", 96", 108")		8213DKB	41.15 / FT.	8613DKB	23.50 / FT.
5020CL	2.45 / FT.	8413	13.00 / FT.	8633 (*)	18.70 / FT.
(36", 48", 72", 84", 96", 108")		8413DKB	17.00 / FT.	8633DKB (*)	25.75 / FT.
5021 B, C, W	4.65 / FT.	8423V (*)	9.25 / FT.	8713	19.40 / FT.
(36", 48", 84", 96", 108")		8423VDKB (*)	13.00 / FT.	8713DKB	25.25 / FT.
5025 B, C, W	2.70 / FT.	8424	15.15 / FT.	8813	21.90 / FT.
(36", 48", 72", 84", 96", 108")		8424DKB	19.45 / FT.	8813DKB	29.00 / FT.
5025CL	3.15 / FT.	8425	17.05 / FT.	8913	25.00 / FT.
(36", 48", 72", 84", 96", 108")		8425DKB	22.50 / FT.	8913DKB	32.50 / FT.
5040 B	1.37 / FT.	8426	19.00 / FT.	9000A	⊙ 5.80 / FT.
(17', 20', 25', 300')		8426BR	200.00 / FT.	9000B	⊙ 8.00 / FT.
ANTI-LIG 5050 B, C, W	2.00 / FT.	8426DKB	25.00 / FT.	9000DKB	⊙ 7.55 / FT.
ANTI-LIG 5050CL	2.50 / FT.	8427	21.50 / FT.	9001A	9.75 / FT.
5050 B, C, T, W	1.45 / FT.	8427BR	250.00 / FT.	9001B	12.25 / FT.
(17', 20', 21', 25', 300')		8427DKB	28.00 / FT.	9001DKB	11.40 / FT.
5050CL	1.95 / FT.	8428	24.00 / FT.	9002	⊙ 5.75 / FT.
(17', 20', 21', 25', 300')		8428BR	297.00 / FT.	9002A	⊙ 6.75 / FT.
5060B (17', 21')	2.05 / FT.	8428DKB	31.55 / FT.	9002B	⊙ 7.75 / FT.
5060CL (17', 21')	2.35 / FT.	8429	26.55 / FT.	9002DKB	⊙ 7.35 / FT.
5070B	2.65 / FT.	8429BR	316.00 / FT.	9115A	9.25 / FT.
(36", 48", 72", 84", 96", 108")		8429DKB	34.00 / FT.	9115A (SET)	18.60 / FT.
5070CL	3.15 / FT.	8430	29.75 / FT.	9115B	11.80 / FT.
(36", 48", 72", 84", 96", 108")				9115B (SET)	23.60 / FT.

\* BUMPER SEAL OPTIONS - Add Per Foot:  
 NGP-TPV (N) .85 • Pile (P) .17 • Silicone (S) .96

9115DKB	11.80 / FT.	9550	5.45 / FT.
9115DKB (SET)	21.60 / FT.	(36", 48", 84", 96", 108")	
9125A	9.30 / FT.	9550DKB	5.45 / FT.
9125A (SET)	18.60 / FT.	(36", 48", 84", 96", 108")	
9125B	11.80 / FT.	9600	6.70 / FT.
9125B (SET)	23.60 / FT.	9600 (SET)	13.40 / FT.
9125DKB	10.80 / FT.	9600A	6.95 / FT.
9125DKB (SET)	21.60 / FT.	9600A (SET)	13.90 / FT.
9125SS	28.75 / FT.	9600B	9.00 / FT.
9125SS (SET)	57.50 / FT.	9600B (SET)	18.00 / FT.
9200	10.00 / FT.	9600DKB	8.50 / FT.
(36", 48", 84", 96", 108")		9600DKB (SET)	17.00 / FT.
9200DKB	10.00 / FT.	9605A	5.65 / FT.
(36", 48", 84", 96", 108")		9605A (SET)	11.30 / FT.
9225	13.00 / EA.	9605B	7.75 / FT.
9250NA (*EC)	30.25 / FT.	9605B (SET)	15.50 / FT.
9250NDKB (*EC)	36.25 / FT.	9605DKB	7.25 / FT.
9250NWA (*EC)	34.40 / FT.	9605DKB (SET)	14.50 / FT.
9250NWDKB (*EC)	40.40 / FT.	9675A	8.25 / FT.
9250TA (*EC, *NF)	30.40 / FT.	9675A (SET)	16.50 / FT.
9250TDBK (*EC, *NF)	36.40 / FT.	9675B	11.50 / FT.
9250TWA (*EC)	34.75 / FT.	9675B (SET)	23.00 / FT.
9250TWDKB (*EC)	40.75 / FT.	9675DKB	10.85 / FT.
9250VA (*EC)	29.20 / FT.	9675DKB (SET)	21.70 / FT.
9250VDBK (*EC)	35.20 / FT.	9700	11.70 / FT.
9250WA (*EC)	33.00 / FT.	9700A	12.25 / FT.
9250WDBK (*EC)	39.00 / FT.	9700B	14.95 / FT.
9275	17.00 / EA.	9700DKB	13.55 / FT.
9450 B, C	4.44 / FT.	9700E	10.75 / FT.
(36", 48", 84", 96", 108")		9700EDKB	12.50 / FT.
9500	5.20 / FT.	9706E	10.75 / FT.
(36", 48", 84", 96", 108")		9706EDKB	12.50 / FT.
9500DKB	5.20 / FT.	9750 B, C	3.75 / FT.
(36", 48", 84", 96", 108")		(36", 48", 84", 96", 108")	
9500 X 2525 B, C, W	7.30 / FT.	9800 B, C, W	1.85 / FT.
(36", 48", 84", 96", 108")		(17', 21', 150')	
9500 X 5020 B, C, W	7.65 / FT.	9850 B, C	3.40 / FT.
(36", 48", 84", 96", 108")		(36", 48", 84", 96", 108")	
9500DKB X 2525B	7.30 / FT.	81369N	39.00 / FT.
(36", 48", 84", 96", 108")		81369NDBK	42.00 / FT.
9500DKB X 5020B	7.65 / FT.		
(36", 48", 84", 96", 108")			



Fast Attach Two Way Tape Available  
 -Specify "FATT" & add 1.30 per Foot

\* BUMPER SEAL OPTIONS - Add Per Foot:  
 NGP-TPV (N) .85 • Pile (P) .17 • Silicone (S) .96

\*EC End Caps - Add \$8.10 Per Set



## Thresholds for Floor Closers

The following information is required when ordering thresholds for use with floor closers:

- Threshold type x model number.
- Material and Finish
- Door thickness if other than 1-3/4"
- Door opening width
- Handing (Door handing)
- Name of floor closer manufacturer and floor closer model number.
- Abrasive "SIA" finish available - pricing on page 5.
- Polished & dark oxidized oil rubbed finishes are available on Bronze thresholds See page 5.

**Note:** Item numbers on invoices will read type, threshold number, size. Example: 1 x 427FC x 36".

<u>Type</u>	<u>Threshold</u>	<u>Material</u>	<u>Single up to 36"</u>	<u>Pair up to 72"</u>	<u>Add Per Inch</u>
1	427FC	1/2" x 6-3/4" Alum.	155.00	310.00	1.67
1	427FCDKB	1/2" x 6-3/4" Alum. DKB	170.00	340.00	2.08
1	428FC	1/2" x 7-3/4" Alum.	168.50	337.00	2.04
1	428FCDKB	1/2" x 7-3/4" Alum. DKB	194.00	388.00	2.75
1	429E	1/2" x 9" Alum.	169.25	338.50	2.06
1	429EDKB	1/2" x 9" Alum. DKB	194.75	389.50	2.77
1	430E	1/2" x 10" Alum.	179.00	358.00	2.33
1	430EDKB	1/2" x 10" Alum. DKB	203.00	406.00	3.00
1	713FC	1/4" x 6-3/4" Alum.	151.40	302.80	1.57
1	713FCDKB	1/4" x 6-3/4" Alum. DKB	167.00	334.00	2.00
1	813FC	1/4" x 7-3/4" Alum.	159.50	319.00	1.79
1	813FCDKB	1/4" x 7-3/4" Alum. DKB	178.25	356.50	2.31
1	913	1/4" x 9" Alum.	167.45	334.90	2.01
1	913DKB	1/4" x 9" Alum. DKB	187.55	375.10	2.57
1	1013	1/4" x 10" Alum.	181.55	363.10	2.40
1	1013DKB	1/4" x 10" Alum. DKB	201.05	402.10	2.95
1	427BR	1/2" x 7" Bronze	796.00	1592.00	18.92
1	428BR	1/2" x 8" Bronze	1024.00	2048.00	25.25
1	713BR	1/4" x 7" Bronze	745.00	1490.00	17.50
1	813BR	1/4" x 8" Bronze	901.00	1802.00	21.83
3	427FC	1/2" x 6-3/4" Alum.	215.00	370.00	1.67
3	427FCDKB	1/2" x 6-3/4" Alum. DKB	230.00	400.00	2.08
3	428FC	1/2" x 7-3/4" Alum.	228.50	397.00	2.04
3	428FCDKB	1/2" x 7-3/4" Alum. DKB	254.00	448.00	2.75
3	429E	1/2" x 9" Alum.	229.25	398.50	2.06
3	429EDKB	1/2" x 9" Alum. DKB	254.75	449.50	2.77

<u>Type</u>	<u>Threshold</u>	<u>Materials</u>	<u>Single up to 36"</u>	<u>Pair up to 72"</u>	<u>Add Per Inch</u>
3	430E	1/2" x 10" Alum.	239.00	418.00	2.33
3	430EDKB	1/2" x 10" Alum. DKB	263.00	466.00	3.00
3	713FC	1/4" x 6-3/4" Alum.	211.40	362.80	1.57
3	713FCDKB	1/4" x 6-3/4" Alum. DKB	227.00	394.00	2.00
3	813FC	1/4" x 7-3/4" Alum.	219.50	379.00	1.79
3	813FCDKB	1/4" x 7-3/4" Alum. DKB	238.25	416.50	2.31
3	913	1/4" x 9" Alum.	227.45	394.90	2.01
3	913DKB	1/4" x 9" Alum. DKB	247.55	435.10	2.57
3	1013	1/4" x 10" Alum.	241.55	423.10	2.40
3	1013DKB	1/4" x 10" Alum. DKB	261.05	462.10	2.95
3	427BR	1/2" x 7" Bronze	876.00	1672.00	18.92
3	428BR	1/2" x 8" Bronze	1104.00	2128.00	25.25
3	713BR	1/4" x 7" Bronze	825.00	1570.00	17.50
3	813BR	1/4" x 8" Bronze	981.00	1882.00	21.82
4	427FC	1/2" x 6-3/4" Alum.	215.00	370.00	1.67
4	427FCDKB	1/2" x 6-3/4" Alum. DKB	230.00	400.00	2.08
4	428FC	1/2" x 7-3/4" Alum.	228.50	397.00	2.04
4	428FCDKB	1/2" x 7-3/4" Alum. DKB	254.00	448.00	2.75
4	429E	1/2" x 9" Alum.	229.25	398.50	2.06
4	429EDKB	1/2" x 9" Alum. DKB	254.75	449.50	2.77
4	430E	1/2" x 10" Alum.	239.00	418.00	2.33
4	430EDKB	1/2" x 10" Alum. DKB	263.00	466.00	3.00
4	713FC	1/4" x 6-3/4" Alum.	211.40	362.80	1.57
4	713FCDKB	1/4" x 6-3/4" Alum. DKB	227.00	394.00	2.00
4	813FC	1/4" x 7-3/4" Alum.	219.50	379.00	1.79
4	813FCDKB	1/4" x 7-3/4" Alum. DKB	238.25	416.50	2.31
4	913	1/4" x 9" Alum.	227.45	394.90	2.01
4	913DKB	1/4" x 9" Alum. DKB	247.55	435.10	2.57
4	1013	1/4" x 10" Alum.	241.55	423.10	2.40
4	1013DKB	1/4" x 10" Alum. DKB	261.05	462.10	2.95
4	427BR	1/2" x 7" Bronze	876.00	1672.00	18.92
4	428BR	1/2" x 8" Bronze	1104.00	2128.00	25.25
4	713BR	1/4" x 7" Bronze	825.00	1570.00	17.50
4	813BR	1/4" x 8" Bronze	981.00	1882.00	21.82



Type	Threshold	Material	Single up to 36"	Pair up to 72"	Add Per Inch
5	427FC X 424FC	1/2" x 6-3/4" x 3-3/4" Alum.	222.70	385.40	0.74
5	427FCDKB X 424FCDKB	1/2" x 6-3/4" x 3-3/4" Alum.DKB	235.70	411.40	1.07
5	428FC X 425FC	1/2" x 7-3/4" x 4-3/4" Alum.	232.00	404.00	0.94
5	428FCDKB X 425FCDKB	1/2" x 7-3/4" x 4-3/4" Alum.DKB	250.50	441.00	1.35
5	713FC X 413FC	1/4" x 6-3/4" x 3-3/4" Alum.	218.80	376.60	0.63
5	713FCDKB X 413FCDKB	1/4" x 6-3/4" x 3-3/4" Alum.DKB	234.00	408.00	1.04
5	813FC X 513FC	1/4" x 7-3/4" x 4-3/4" Alum.	229.50	399.00	0.96
5	813FCDKB X 513FCDKB	1/4" x 7-3/4" x 4-3/4" Alum.DKB	247.75	435.50	1.46
5	427BR X 424BR	1/2" x 7" x 4" Bronze	698.00	1276.00	9.83
5	428BR x 425BR	1/2" x 8" x 5" Bronze	846.00	1572.00	12.83
5	713BR X 413BR	1/4" x 7" x 4" Bronze	661.00	1202.00	9.00
5	813BR X 513BR	1/4" x 8" x 5" Bronze	756.00	1392.00	10.75

**Floor Closer Preps Only** - add to Material Price (For other thresholds not shown above)  
Prices are Per Prep (Double for Pairs)

	<u>Aluminum</u>	<u>Bronze</u>	<u>Stainless Steel</u>
Type 1	107.00	210.00	515.00
Type 3	169.00	293.00	635.00
Type 4	169.00	293.00	635.00
Type 5	199.00	333.00	n/a

Pivot Prep for any center hung or offset pivot - \$82 each prep.



## Replacement Inserts

### Replacement Neoprene

<u>Item</u>	<u>Price/Ft.</u>
15N, 26N, 92N, 99N, 112N, 113N, 118N, 119N, 816N, 819N, 9250N	2.65
103N, 104N, 105N, 108N, 303N, 304N, 305N, 420N, 421N, 422N, 423N	3.30
106N, 141N	1.98
107N, 165N, 223N, 335N	2.80
109N, 122N	2.36
110N, 120N, 127N, 134N	1.65
115N, 125N	2.15
116N	3.35
129N, 137N, 1038N	3.30
130N, 133N	2.22
131N	1.50
132N	2.00
135N, 161N, 700N, 700EN	3.09
148N	5.15
158N, 170N	2.45
197N, 199N	3.30
200N, 201N, 114N, 198N	2.30
202N	3.86
203N	6.70
520N, 522N	4.07
81369N	34.30
Flood Shield Bottom	2.85
Flood Shield Side	2.65

### Replacement NGP-TPV

<u>Item</u>	<u>Price/Ft.</u>
136N, 143N	1.00
151N, 172N	1.39
320N	2.06
Bumper NGP-TPV (threshold)	1.56

### Replacement Nylon Brush

<u>Item</u>	<u>Price/Ft.</u>
Specify Gray or Black.	
600, 602, B606	2.44
601, 603	3.50
9000, 9600, 9605	3.15
A Brush, 92WH, 99WH, 220WH, 221WH, 222WH, 225WH, 229WH, 310WH, F625, OV633, OV634, A635, 672, 673, 674, 675, 678, 679, 680, 682, 683, 706, 706E, 4440WH, 4441WH, 4447WH, 4448WH, 9250WH, 9706E	2.22
C Brush	2.83
D Brush	3.40
G Brush	10.90
H Brush	13.18
I Brush	16.70

### Replacement Silicone

<u>Item</u>	<u>Price/Ft.</u>
107S, 165S, 223S, 335S	3.30
110S, 120S, 127S	2.22
130S	4.22
132S	3.20
136S, 140S, 141S, 143S, 144S, 151S, 158S, 170S	1.80
137S	3.50
152S, 155S, 172S, 320S	1.45
156S	1.55
160S, 700S, 700ES	1.45
162S	2.10
200S, 114S	3.75
780S	2.22
4440, 4441, 4447, 4448	7.25
9001S	4.75
9002S, 9700S	2.85
9115S, 9125S	4.40
Bumper Silicone (threshold)	1.67

### Replacement Thermoplastic

<u>Item</u>	<u>Price/Ft.</u>
12T, 13T, 35ET, 36ET, 92T, 99T, 319ET, 816T, 819T, 9250T	2.10
12T6, 13T6, 35ET6, 36ET6, 92T6, 99T6, 319ET6, 816T6, 819T6	2.35

### Replacement Vinyl

<u>Item</u>	<u>Price/Ft.</u>
5V, 6V, 12V, 13V, 18V, 19V, 92V, 99V, 816V, 819V, 9250V	1.25
151V, 158V, 170V	.72
35V, 35EV, 36V, 36EV, 312V, 313V, 318V, 319V, 319EV,	1.38
96V	1.55
97V	1.05
98V, 101V, 1015V	1.35
100V	.95
102V	3.45
149M, 157M, 159M, 189M (magnet & vinyl)	3.25
152V, 155V, 172V, 320V	.60
156V	.64
160V, 164V	.65
704, 704E, 705, 705E	.65
Bumper Vinyl (threshold)	.71
Foot Seal (threshold)	.46

### Threshold Splines

<u>Item</u>	<u>Price/Ft.</u>
Aluminum Spline	2.15
Thermal Spline 1/2"	2.15
Thermal Spline 1/4"	1.50



**Replacement Inserts**

**Auto Door Bottom/Door Shoe Parts**

<u>Item</u>	<u>Price</u>
End Caps - 92, 99, 220, 222, 223, 225, 310, 420, 422, 423, 520, 522, 680, 682, 683, 9250	8.00 /Set
End Caps - 221SS, 229SS	16.00 /Set
Drop Bar Assembly - 220N, 221N, 222N, 225N, 229N, 310N	16.00 / FT.
Drop Bar Assembly - 220S, 221S, 222S, 225S, 229S, 310S	21.50 / FT.
Drop Bar Assembly - 220WH, 221WH, 222WH, 225WH, 229WH, 310WH	17.00 / FT.
Heavy Duty Drop Bar Assemblies: 420N, 422N, 423N, 520N, 522N	24.50 / FT.
680, 682, 683	26.50 / FT.

**Replacement Polyurethane**

<u>Item</u>	<u>Price/Ft.</u>
129U, 150U	2.90
160U, 161U, 700EU, 700U	2.00
198U, 200U	4.35

**Replacement Pile**

<u>Item</u>	<u>Price/Ft.</u>
136P, 140P, 143P, 144P, 158P, 161P, 185P, 701P, 701EP	1.15
154P, 254P	3.90
170P, Bumper Pile (threshold)	.88

**Replacement Reinforced Rubber**

<u>Item</u>	<u>Price/Ft.</u>
14R-1 3/4"	5.25
14R-2 1/4"	6.75
1000R x 5"	6.00
1000R x 10"	10.10
1000R x 16"	15.00

## QUICK SHIP ITEMS

- \*Orders must be received by **11 a.m. Central time; after 11 a.m., add one business day.**
- Orders must be marked "QUICK SHIP".
- Any mix of items below.
- Available Finishes: GPZ, DKB, TAN, BPR, CAB: *For Galvaneal add 20%.*
- Torx security screws - up to 24" x 24" add \$12, over 24" x 24" add \$24.
- Orders mixed with any other products will be subject to standard lead times.



### TWO DAYS\* L-FRA100 Low Profile Lite Kit

### THREE DAYS\* L-FRA100 packed with GLASS & GLAZING TAPE

Order Size	List Price	with	Pyran-F	Superlite 1-W	Diamond Wired
			GT-118	GT-118	GT-118
5 x 35	\$84		\$354	\$240	\$159
6 x 27	78		295	204	140
7 x 22	72		289	198	134
8 x 32	84		417	275	175
12 x 12	50		262	171	106
24 x 24	92		940	577	319
24 x 30	101		1160	705	383
24 x 32	106		1239	755	411
24 x 36	110		1380	835	449
24 x 60	207		2740	1650	877

prices reflect 15% add to pricing of standard lead time items



### THREE DAYS\* L-700-RX Self Attaching, No Vision Louver

Order Size	List Price
12 x 12	\$ 80
18 x 12	97
18 x 18	113
24 x 12	112
24 x 18	128
24 x 24	157

prices reflect 15% add to pricing of standard lead time items

### THREE DAYS\* NON-STOCK SIZES

L-FRA100, L-FRA100-SP, L-GLF100,  
L-GLF100-SP, L-GLF100-TB,  
L-GLF100-SP-TB

Kits only or packed with  
Glass & Glazing Tape GT-118  
Pyran F Superlite 1-W Diamond Wired

**Glass Only**  
**Pyran F**  
**Superlite 1-W**  
**Diamond Wired**

Add 25% to pricing of standard lead time items



# L-FRA100, L-GLF100, L-GLF100-TB

## Lite Kits for 1-3/4" Doors

Mullion Bars available for L-GLF-100 and L-GLF100-TB - price of Lite Kit plus \$128 per Mullion Bar

Torx Security Screws - up to 24" x 24" add \$12, over 24" x 24" add \$24

Minimum 3" width or height; maximum 88" width or height

Odd inch and fractional sizes, use next largest even size

Lead lining - \$5 per perimeter inch

STC option - \$13.00 per square ft.

### WIDTH

	6	8	10	12	14	16	18	20	22	24	26	28	30	32	34	36
4	58	58	58	62	65	70	76	76	78	80	84	89	92	94	95	99
6	58	58	58	65	65	73	76	76	80	89	91	93	94	94	95	99
8	58	58	58	70	73	76	76	80	89	91	93	94	94	99	99	101
10	58	58	48	73	76	76	80	89	91	93	94	99	99	99	101	101
12	65	70	73	43	76	80	89	91	93	94	94	99	101	101	101	106
14	54	73	76	76	78	89	91	93	94	94	99	101	101	106	106	116
16	73	76	76	76	89	91	93	94	99	99	99	101	101	106	108	118
18	76	76	81	89	91	93	81	99	99	99	101	101	106	116	116	119
20	76	81	89	91	93	94	99	100	100	101	101	101	116	116	116	119
22	79	62	91	93	94	99	99	100	100	101	101	106	116	116	119	122
24	79	91	93	94	94	99	99	101	101	80	106	119	119	124	124	127
26	73	76	94	94	99	99	101	101	101	94	119	119	124	126	127	128
28	67	94	99	99	101	101	101	101	106	119	119	124	126	127	128	130
30	75	74	99	101	101	101	91	106	116	87	124	126	127	128	130	137
32	94	73	99	101	106	106	92	116	116	92	126	127	128	130	137	139
34	95	88	101	101	106	108	116	116	119	105	127	128	130	137	139	140
36	73	89	101	106	116	118	119	119	122	95	128	130	137	139	140	141
38	97	89	101	112	119	119	124	126	127	129	130	137	139	140	183	190
40	100	101	113	120	120	125	127	128	130	131	138	140	141	184	191	196
42	123	130	138	140	145	151	154	160	165	171	174	182	184	191	196	210
44	127	138	140	145	151	154	160	165	171	174	182	184	191	196	210	215
46	131	140	145	151	154	160	165	171	174	182	184	191	196	210	215	222
48	147	154	160	163	170	174	179	184	194	199	201	207	210	215	222	225
50	151	160	163	170	174	179	184	194	199	201	207	210	215	222	225	228
52	154	163	170	174	179	184	194	199	201	207	210	215	222	225	228	237
54	160	170	174	179	184	194	199	201	207	209	215	222	225	228	237	248
56	165	174	179	184	189	199	201	207	209	215	215	225	228	237	248	254
58	177	184	189	195	199	207	212	215	219	222	230	234	237	248	254	256
60	182	189	195	199	207	212	215	222	226	180	234	237	248	254	256	267
62	187	196	200	208	213	216	223	227	231	218	238	249	255	257	268	273
64	192	200	208	213	216	223	227	231	235	206	249	255	257	268	273	278
66	204	215	222	224	223	235	237	242	248	201	260	262	268	273	278	285
68	210	222	224	229	235	237	242	248	257	260	262	268	273	278	285	291
70	215	224	229	235	237	242	248	257	260	262	268	273	278	285	291	299
72	222	229	235	237	242	248	257	260	262	268	273	278	285	291	299	307

Gray Primer (GPZ) finish standard and will be provided unless one of the following optional finishes is indicated:

Available at no extra charge: (T) Tan (DKB) Dark Bronze (BPR) Beige Primer (matches Steelcraft)  
 (CAB) California Bronze (matches Anemostat) (PTY) Putty (matches Anemostat beige)

Add 15% for following finishes:

(B) Brass (Gold) (GBL) Gloss Black (W) White  
 (MBL) Matte Black (TBL) Textured Black (ASL) Aluminum Silver  
 (WB) Walnut Brown (matches Timely Browntone)  
 (MW) Magnolia White (matches Timely Western White)

Galvanneal - Add 20% Zinc EL-Plate - Add \$400

**Optional Material:  
 Aluminum = List X 2**

# L-FRA100, L-GLF100, L-GLF100-TB with SuperLite™ I-W

with GT-118 Glazing Tape both sides

Meets CPSC 16CFR 1201 Cat. I & II impact safety requirements

Etched with UL Fire-rating classification on each piece

Mullion bars available for L-GLF100 and L-GLF100-TB - price of lite kit plus \$128 per mullion bar

Torx Security Screws - up to 24" x 24" add \$12, over 24" x 24" add \$24

Minimum 3" width or height; maximum 88"

Under 4" - call for quote

Odd inch or fractional sizes, use next largest size

STC option - \$13.00 per square ft.

## WIDTH

	6	8	10	12	14	16	18	20	22	24	26	28	30	32	34	36
6	163	163	163	170	170	178	181	181	186	194	209	219	228	237	246	259
8	163	163	163	175	178	181	181	201	221	234	247	259	271	287	298	311
10	163	163	154	178	181	197	215	237	253	270	285	304	322	336	352	366
12	170	175	178	<b>148</b>	203	224	249	267	286	304	325	347	366	383	400	422
14	159	178	181	203	224	254	276	298	323	342	367	389	408	437	457	487
16	178	181	197	219	254	279	303	331	359	381	403	432	455	482	507	539
18	181	181	216	249	276	303	321	364	389	415	446	471	502	537	567	595
20	181	191	237	267	298	331	364	393	426	455	483	511	558	587	615	646
22	185	<b>172</b>	253	286	323	359	389	426	456	488	519	559	601	631	670	703
24	185	217	270	304	342	381	415	455	488	<b>501</b>	565	612	646	688	721	758
26	183	212	285	325	367	403	446	483	519	553	615	656	696	735	776	814
28	<b>177</b>	240	304	347	389	432	471	511	559	612	656	699	740	785	825	867
30	185	230	322	366	408	455	486	548	601	<b>613</b>	696	740	788	831	879	928
32	203	<b>239</b>	336	383	437	482	513	587	631	<b>656</b>	735	785	831	882	934	981
34	204	263	352	400	457	507	567	615	670	703	776	825	879	934	988	1037
36	<b>208</b>	274	366	422	487	539	595	646	703	726	814	867	928	981	1037	1088
38	239	288	380	449	510	567	625	684	739	<b>798</b>	853	917	973	1031	1128	1192
40	249	310	407	474	530	595	653	714	777	834	901	960	1021	1120	1187	1450
42	278	349	445	511	579	644	710	774	843	908	974	1045	1106	1176	1440	1529
44	289	367	466	533	605	669	741	812	880	949	1019	1087	1159	1423	1516	1595
46	301	379	485	556	627	701	771	846	918	991	1061	1132	1206	1496	1578	1667
48	324	403	513	584	663	738	811	887	968	1041	1114	1192	1465	1555	1647	1730
50	339	418	530	612	686	766	845	925	1004	1081	1161	1431	1524	1620	1706	1798
52	350	431	552	633	715	793	880	962	1037	1121	1201	1487	1582	1676	1771	1868
54	362	448	570	655	740	825	910	992	1079	1156	1439	1542	1639	1733	1837	1944
56	374	466	589	677	765	857	938	1027	1111	1200	1487	1591	1693	1800	1910	2081
58	393	486	618	704	794	888	978	1067	1153	1437	1546	1652	1757	1866	2043	2151
60	405	501	637	725	822	915	1007	1102	1194	<b>1434</b>	1594	1702	1818	1930	2109	2224
62	418	517	656	755	852	942	1040	1135	1230	1517	1646	1766	1876	2056	2180	2298
64	429	531	678	777	874	976	1069	1167	1462	1545	1701	1819	1933	2127	2249	2366
66	448	556	707	805	901	1009	1108	1210	1517	1581	1755	1872	2063	2188	2313	2441
68	461	573	723	826	932	1034	1139	1245	1563	1684	1805	1930	2125	2254	2385	2510
70	473	585	741	849	954	1062	1170	1478	1602	1727	1855	1982	2183	2317	2450	2553
72	538	670	862	990	1120	1252	1386	1514	1642	1773	1904	2105	2243	2379	2517	2561

Gray Primer (GPZ) finish standard and will be provided unless one of the following optional finishes is indicated:

Available at no extra charge: (T) Tan (DKB) Dark Bronze (BPR) Beige Primer (matches Steelcraft)  
 (CAB) California Bronze (matches Anemostat) (PTY) Putty (matches Anemostat beige)

Add 15% for following finishes:

(B) Brass (Gold) (GBL) Gloss Black (W) White  
 (MBL) Matte Black (TBL) Textured Black (ASL) Aluminum Silver  
 (WB) Walnut Brown (matches Timely Browntone)  
 (MW) Magnolia White (matches Timely Western White)  
 Galvanneal - Add 20% Zinc EL-Plate - Add \$400

L-FRA100, L-GLF100, L-GLF100-TB with SuperLite™ I-W



L-FRA100, L-GLF100, L-GLF100-TB with Pyran® F

# L-FRA100, L-GLF100, L-GLF100-TB with Pyran® F

with GT-118 Glazing Tape both sides

Meets CPSC 16CFR 1201 Cat. I & II impact safety requirements

Etched with UL Fire-rating classification on each piece

Mullion bars available for L-GLF100 and L-GLF100-TB - price of lite kit plus \$128 per mullion bar

Torx Security Screws - up to 24" x 24" add \$12, over 24" x 24" add \$24

Minimum 3" width or height; maximum 78" height.

Odd inch or fractional sizes, use next largest size

STC option - \$13.00 per square ft.

## WIDTH

		6	8	10	12	14	16	18	20	22	24	26	28	30	32	34	36
HEIGHT	6	242	242	242	249	249	257	260	260	265	273	294	311	327	342	358	377
	8	242	242	242	254	257	260	260	289	317	339	361	382	402	427	447	469
	10	242	242	233	257	260	285	314	347	374	401	427	457	487	512	539	564
	12	249	254	257	<b>227</b>	295	329	367	399	431	462	496	532	564	594	624	659
	14	238	257	260	295	332	377	414	451	491	526	567	604	639	683	718	763
	16	257	260	285	325	377	419	461	506	552	592	632	678	718	763	805	855
	18	260	260	315	367	414	461	499	562	607	652	703	748	798	853	903	951
	20	260	270	347	399	451	506	562	613	667	718	768	818	888	938	988	1041
	22	264	<b>251</b>	374	431	491	552	607	667	722	778	833	897	963	1018	1080	1137
	24	264	309	401	462	526	592	652	718	778	<b>817</b>	907	981	1041	1109	1169	1232
	26	262	312	427	496	567	632	703	768	833	895	986	1055	1124	1191	1261	1327
	28	<b>256</b>	347	457	532	604	678	748	818	897	981	1055	1129	1201	1276	1347	1420
	30	264	345	487	564	639	718	783	877	963	<b>1008</b>	1124	1201	1281	1357	1439	1521
	32	282	<b>362</b>	512	594	683	763	829	938	1018	<b>1077</b>	1191	1276	1357	1444	1531	1613
	34	283	394	539	624	718	805	903	988	1080	1151	1261	1347	1439	1531	1622	1708
	36	<b>307</b>	412	564	659	763	855	951	1041	1137	<b>1200</b>	1327	1420	1521	1613	1708	1799
	38	343	434	589	699	801	901	1000	1101	1197	1299	1395	1501	1598	1698	1837	1942
	40	358	464	626	737	837	946	1048	1153	1260	1361	1472	1574	1679	1823	1933	2398
	42	394	510	676	787	901	1013	1125	1235	1350	1461	1573	1691	1798	1913	2380	2525
	44	410	536	707	822	943	1056	1175	1295	1411	1528	1646	1763	1883	2350	2501	2638
46	427	555	737	858	981	1105	1225	1351	1473	1596	1718	1839	1963	2465	2608	2757	
48	456	587	777	900	1031	1160	1285	1414	1548	1673	1799	1930	2413	2566	2721	2868	
50	477	610	805	941	1070	1205	1339	1473	1608	1739	1875	2353	2512	2673	2826	2983	
52	492	630	837	975	1115	1250	1393	1533	1665	1805	1943	2446	2609	2772	2935	3100	
54	510	655	866	1010	1155	1299	1444	1585	1730	1867	2364	2537	2706	2871	3046	3224	
56	528	681	896	1046	1195	1349	1491	1641	1787	1938	2446	2623	2799	2980	3164	3464	
58	552	709	936	1086	1239	1397	1551	1703	1853	2353	2538	2721	2902	3087	3395	3583	
60	570	731	966	1120	1283	1442	1599	1761	1918	<b>2382</b>	2621	2808	3003	3194	3508	3705	
62	588	755	996	1164	1328	1486	1652	1815	1978	2497	2707	2908	3101	3417	3625	3828	
64	604	777	1029	1199	1366	1537	1701	1869	2389	2557	2796	2999	3197	3531	3741	3946	
66	629	810	1069	1240	1408	1589	1760	1934	2473	2624	2885	3089	3421	3637	3852	4070	
68	648	834	1096	1274	1455	1631	1810	1991	2548	2759	2969	3183	3524	3746	3970	4189	
70	665	854	1125	1310	1492	1676	1861	2400	2616	2833	3053	3272	3623	3853	4082	4256	
72	775	1002	1336	1558	1784	2010	2240	2462	2684	2911	3136	3488	3724	3959	4196	4264	

Gray Primer (GPZ) finish standard and will be provided unless one of the following optional finishes is indicated:

Available at no extra charge: (T) Tan (DKB) Dark Bronze (BPR) Beige Primer (matches Steelcraft)  
(CAB) California Bronze (matches Anemostat) (PTY) Putty (matches Anemostat beige)

Add 15% for following finishes:

- (B) Brass (Gold) (GBL) Gloss Black (W) White
- (MBL) Matte Black (TBL) Textured Black (ASL) Aluminum Silver
- (WB) Walnut Brown (matches Timely Browntone)
- (MW) Magnolia White (matches Timely Western White)
- Galvanneal - Add 20% Zinc EL-Plate - Add \$400

# L-FRA100, L-GLF100, L-GLF100-TB with 1/4" Tempered Glass

with GT-118 Glazing Tape both sides

Meets CPSC 16CFR 1201 Cat. I & II impact safety requirements  
 Mullion bars available for L-GLF100 and L-GLF100-TB - price of lite kit plus \$128 per mullion bar  
 Torx Security Screws - up to 24" x 24" add \$12, over 24" x 24" add \$24  
 Minimum 3" width, 12" height; maximum 88" width or height  
 Odd inch or fractional sizes, use next largest size  
 STC option - \$13.00 per square ft.

## WIDTH

		6	8	10	12	14	16	18	20	22	24	26	28	30	32	34	36
HEIGHT	12	120	125	128	98	136	140	148	150	152	153	157	163	165	165	165	170
	14	109	128	131	136	138	148	150	152	157	157	163	165	165	191	191	201
	16	128	131	136	136	148	150	152	157	163	163	163	186	186	191	193	203
	18	131	131	141	148	150	152	145	163	163	163	186	186	191	201	223	226
	20	131	141	148	150	152	157	163	164	185	186	186	186	223	223	223	226
	22	135	122	150	152	157	163	163	185	185	186	186	212	223	223	247	249
	24	135	150	152	153	157	163	163	186	186	165	212	226	226	251	251	254
	26	133	136	153	157	163	163	186	186	186	200	226	247	251	253	275	276
	28	127	153	158	163	165	186	186	186	212	226	247	251	253	275	276	279
	30	135	134	163	165	165	186	176	212	223	193	251	253	275	276	300	307
	32	153	133	163	165	191	191	177	223	223	219	253	275	276	300	307	309
	34	154	147	165	165	191	193	223	223	247	233	275	276	300	307	330	331
	36	133	148	165	170	201	203	226	226	249	222	276	279	307	309	331	332
	38	156	152	165	197	204	226	230	253	254	278	279	307	309	331	375	402
	40	159	165	177	205	205	231	233	255	279	280	308	310	332	376	403	408
	42	182	194	202	225	251	258	282	287	314	320	344	374	376	403	408	444
	44	186	202	225	230	258	261	287	314	320	344	352	376	403	408	444	449
	46	190	204	230	236	261	287	292	320	344	352	376	382	408	444	449	477
	48	207	218	245	248	276	302	307	333	364	369	392	420	423	449	477	480
	50	215	223	248	276	280	307	333	342	369	392	420	423	449	477	480	504
52	218	226	255	280	307	312	342	369	371	398	423	449	456	480	504	513	
54	223	234	259	285	312	321	348	371	398	400	428	456	480	483	513	546	
56	229	259	264	291	317	348	350	377	400	428	449	458	483	513	546	552	
58	241	269	296	301	326	356	382	406	411	435	463	489	513	524	552	575	
60	246	274	301	305	335	361	385	414	438	392	468	492	524	552	575	585	
62	251	281	306	336	362	365	393	418	443	452	493	525	532	555	586	613	
64	255	285	314	341	365	393	397	422	447	440	504	532	555	586	613	618	
66	268	300	329	352	372	405	428	454	482	435	515	538	565	592	618	647	
68	274	307	331	356	384	407	433	461	491	515	538	565	592	618	647	653	
70	279	309	335	362	386	412	439	470	493	517	544	570	597	625	653	681	
72	286	314	341	364	391	418	449	472	495	523	549	576	604	631	660	689	

Gray Primer (GPZ) finish standard and will be provided unless one of the following optional finishes is indicated:

Available at no extra charge: (T) Tan (DKB) Dark Bronze (BPR) Beige Primer (matches Steelcraft)  
 (CAB) California Bronze (matches Anemostat) (PTY) Putty (matches Anemostat beige)

Add 15% for following finishes:

(B) Brass (Gold) (GBL) Gloss Black (W) White  
 (MBL) Matte Black (TBL) Textured Black (ASL) Aluminum Silver  
 (WB) Walnut Brown (matches Timely Browntone)  
 (MW) Magnolia White (matches Timely Western White)

Galvanneal - Add 20% Zinc EL-Plate - Add \$400



L-FRA100, L-GLF100, L-GLF100-TB with 1/4" Wired Glass

# L-FRA100, L-GLF100, L-GLF100-TB with 1/4" Wired Glass

Diamond & GT-118 Glazing Tape both sides

Etched with UL fire-rating classification on each piece up to 1,296 sq. inches visible area - 54" max. width or height

Mullion bars available for L-GLF100 and L-GLF100-TB - price of lite kit plus \$128 per mullion bar

Torx Security Screws - up to 24" x 24" add \$12, over 24" x 24" add \$24

Under 4" - call for quote

Odd inch or fractional sizes, use next largest size

STC option - \$13.00 per square ft.

## WIDTH

HEIGHT	WIDTH															
	6	8	10	12	14	16	18	20	22	24	26	28	30	32	34	36
6	107	107	107	114	114	122	125	125	130	138	148	154	158	162	167	175
8	107	107	107	119	122	125	125	139	152	159	166	172	177	187	192	199
10	107	107	98	122	125	135	145	160	168	176	183	195	205	212	220	226
12	114	119	122	92	137	149	165	174	184	192	204	217	226	234	241	254
14	103	122	125	137	148	167	178	189	203	211	225	236	245	263	272	291
16	122	125	135	145	167	179	191	206	222	232	242	258	268	283	295	315
18	125	125	146	165	178	191	195	224	235	247	264	275	292	313	329	343
20	125	135	160	174	189	206	224	238	254	268	280	293	325	338	350	366
22	129	116	168	184	203	222	235	254	268	283	297	320	344	358	379	395
24	129	152	176	192	211	232	247	268	283	277	322	351	366	389	404	422
26	127	142	183	204	225	242	264	280	297	310	352	372	393	411	433	450
28	121	163	195	217	236	258	275	293	320	351	372	394	414	436	455	475
30	129	148	205	226	245	268	276	315	344	333	393	414	438	457	483	508
32	147	152	212	234	263	283	289	338	358	357	411	436	457	484	511	533
34	148	170	220	241	272	295	329	350	379	386	433	455	483	511	539	561
36	138	176	226	254	291	315	343	366	395	390	450	475	508	533	561	584
38	165	184	232	272	303	331	359	389	413	444	468	503	529	558	625	660
40	171	201	251	287	312	346	373	403	435	461	497	524	554	623	658	778
42	197	234	282	315	350	383	416	448	483	516	549	588	616	653	774	824
44	204	247	295	327	365	396	433	470	503	538	574	608	646	766	818	856
46	211	253	306	341	377	415	449	488	524	561	596	631	669	809	848	894
48	231	272	327	360	401	440	475	514	558	593	629	670	793	838	885	924
50	242	282	336	379	414	455	495	536	577	614	656	778	824	873	913	958
52	248	289	349	390	432	470	516	558	592	635	675	808	854	900	946	994
54	257	301	360	403	446	489	532	572	617	652	784	836	883	927	981	1037
56	265	314	371	416	460	509	546	591	632	678	808	859	909	964	1022	1101
58	281	328	392	433	478	527	572	616	656	787	842	894	945	999	1084	1136
60	289	338	403	445	495	542	587	636	681	762	866	918	978	1034	1117	1174
62	297	348	415	466	514	556	606	652	699	823	893	955	1008	1092	1155	1213
64	304	357	429	479	526	577	621	669	805	829	924	983	1037	1131	1191	1246
66	320	377	450	497	542	599	646	697	839	842	954	1010	1101	1162	1223	1286
68	329	388	458	509	562	611	663	716	865	923	980	1041	1134	1196	1261	1320
70	337	395	469	523	573	626	680	825	884	943	1005	1067	1162	1228	1293	1345
72	370	435	526	586	650	714	782	842	902	967	1030	1125	1193	1259	1327	1354

Gray Primer (GPZ) finish standard and will be provided unless one of the following optional finishes is indicated:

Available at no extra charge: (T) Tan (DKB) Dark Bronze (BPR) Beige Primer (matches Steelcraft)  
(CAB) California Bronze (matches Anemostat) (PTY) Putty (matches Anemostat beige)

Add 15% for following finishes:

- (B) Brass (Gold) (GBL) Gloss Black (W) White
- (MBL) Matte Black (TBL) Textured Black (ASL) Aluminum Silver
- (WB) Walnut Brown (matches Timely Browntone)
- (MW) Magnolia White (matches Timely Western White)
- Galvanneal - Add 20% Zinc EL-Plate - Add \$400

**Does NOT comply with IBC 2006 or newer requirements for use in doors or sidelights.**  
**Allowed only in non-hazardous locations defined in IBC**



# L-FRA-100 SP w/Superlite™ X90 & GT-116 Glazing Tape

## Available Lite Kit Sizes

12" x 12"	\$77 Net
5" x 35"	\$88 Net
6" x 27"	\$83 Net
7" x 22"	\$83 Net

## Superlite™ X90

3/4" Thick

\$62 ea. Net

GT-116 glazing tape supplied (loose) for both sides:  
 Add \$4.25 per Sq. FT.

## Available Sizes

11" x 11"
4" x 34"
5" x 26"
6" x 21"

## False Mullion Bars

Add \$128 per Mullion Bar to  
 Price of L-GLF100, L-GLF100SP,  
 L-GLF100-TB, L-GLF100-SP-TB,  
 L-SG100, L-SG100-TB series Lite Kits

### Add:

G2 = 1 Bar	\$128
G3 = 2 Bars	256
G4 = 2 Bars	256
G6 = 3 Bars	384
G8 = 4 Bars	512
G9 = 4 Bars	512
G10 = 5 Bars	640
G12 = 5 Bars	640
G15 = 6 Bars	768
G18 = 7 Bars	896
G21 = 8 Bars	1,024
G24 = 9 Bars	1,152



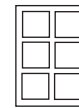
G2  
(1 Bar)



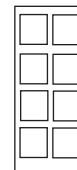
G3  
(2 Bars)



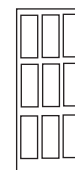
G4  
(2 Bars)



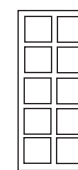
G6  
(3 Bars)



G8  
(4 Bars)



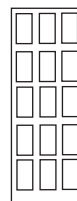
G9  
(4 Bars)



G10  
(5 Bars)



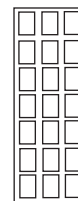
G12  
(5 Bars)



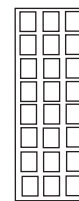
G15  
(6 Bars)



G18  
(7 Bars)



G21  
(8 Bars)



G24  
(9 Bars)



L-FRA100-SP, L-GLF100-SP, L-GLF100-SP-TB

# L-FRA100-SP, L-GLF100-SP, L-GLF100-SP-TB

Lite Kits for Variable Door and Glass Thicknesses

Mullion Bars available for L-GLF100-SP and L-GLF100-SP-TB - price of Lite Kit plus \$128 per Mullion Bar

Torx Security Screws - up to 24" x 24" add \$12, over 24" x 24" add \$24

Minimum: 3" width or height; Maximum 88" width or height

Odd inch and fractional sizes, use next largest even size

Lead lining - \$5 per perimeter inch

STC option - \$13.00 per square ft.

## WIDTH

	6	8	10	12	14	16	18	20	22	24	26	28	30	32	34	36
<b>4</b>	87	87	87	93	97	105	114	114	117	121	127	133	138	141	142	148
<b>6</b>	87	87	87	97	97	110	114	114	121	133	136	139	141	141	142	148
<b>8</b>	87	87	87	105	110	114	114	121	133	136	139	141	141	148	148	151
<b>10</b>	87	87	73	110	114	114	121	133	136	139	141	148	148	148	151	151
<b>12</b>	97	105	110	<b>64</b>	114	121	133	136	139	141	141	148	151	151	151	159
<b>14</b>	80	110	114	114	117	133	136	139	141	141	148	151	151	159	159	175
<b>16</b>	110	114	114	114	133	136	139	141	148	148	148	151	151	159	162	178
<b>18</b>	114	114	122	133	136	139	122	148	148	148	151	151	159	175	175	179
<b>20</b>	114	122	133	136	139	141	148	150	150	151	151	151	175	175	175	179
<b>22</b>	119	<b>93</b>	136	139	141	148	148	150	150	151	151	159	175	175	179	182
<b>24</b>	119	136	139	141	141	148	148	151	151	<b>119</b>	159	179	179	185	185	190
<b>26</b>	110	114	141	141	148	148	151	151	151	141	179	179	185	188	190	192
<b>28</b>	<b>101</b>	141	148	148	151	151	151	151	159	179	179	185	188	190	192	195
<b>30</b>	113	111	148	151	151	151	136	159	175	<b>130</b>	185	188	190	192	195	205
<b>32</b>	141	<b>110</b>	148	151	159	159	138	175	175	<b>138</b>	188	190	192	195	205	209
<b>34</b>	142	131	151	151	159	162	175	175	179	158	190	192	195	205	209	210
<b>36</b>	<b>110</b>	133	151	159	175	178	179	179	182	<b>142</b>	192	195	205	209	210	212
<b>38</b>	145	133	151	168	179	179	185	188	190	193	195	205	209	210	275	284
<b>40</b>	150	151	170	181	181	187	190	192	195	196	207	210	212	277	286	294
<b>42</b>	184	195	207	210	218	227	232	239	247	256	261	273	277	286	294	315
<b>44</b>	190	207	210	218	227	232	239	247	256	261	273	277	286	294	315	323
<b>46</b>	196	210	218	227	232	239	247	256	261	273	277	286	294	315	323	334
<b>48</b>	221	232	239	244	255	261	269	277	290	298	301	311	315	323	334	337
<b>50</b>	227	239	244	255	261	269	277	290	298	301	311	315	323	334	337	341
<b>52</b>	232	244	255	261	269	277	290	298	301	311	315	323	334	337	341	355
<b>54</b>	239	255	261	269	277	290	298	301	311	314	323	334	337	341	355	372
<b>56</b>	247	261	269	277	284	298	301	311	314	323	323	337	341	355	372	382
<b>58</b>	266	277	284	292	298	311	318	323	329	334	344	351	355	372	382	385
<b>60</b>	273	284	292	298	311	318	323	334	338	<b>269</b>	351	355	372	382	385	400
<b>62</b>	281	293	300	312	320	324	335	340	346	327	357	374	383	386	402	409
<b>64</b>	287	300	312	320	324	335	340	346	352	309	374	383	386	402	409	417
<b>66</b>	306	323	334	337	335	352	355	363	372	301	389	392	402	409	417	428
<b>68</b>	315	334	337	343	352	355	363	372	386	389	392	402	409	417	428	437
<b>70</b>	323	337	343	352	355	363	372	386	389	392	402	409	417	428	437	448
<b>72</b>	334	343	352	355	363	372	386	389	392	402	409	417	428	437	448	460

HEIGHT

Gray Primer (GPZ) finish standard and will be provided unless one of the following optional finishes is indicated:

Available at no extra charge: (T) Tan (DKB) Dark Bronze (BPR) Beige Primer (matches Steelcraft)  
 (CAB) California Bronze (matches Anemostat) (PTY) Putty (matches Anemostat beige)

Add 15% for following finishes:

(B) Brass (Gold) (GBL) Gloss Black (W) White  
 (MBL) Matte Black (TBL) Textured Black (ASL) Aluminum Silver  
 (WB) Walnut Brown (matches Timely Browntone)  
 (MW) Magnolia White (matches Timely Western White)

Galvanneal - Add 20% Zinc EL-Plate - Add \$400

# L-SG100, L-SG100-TB

## Lite Kits with Security Grille

Mullion Bars available - price of lite kit plus \$128 per Mullion Bar

Torx Security Screws - up to 24" x 24" add \$12, over 24" x 24" add \$24

Minimum 3" width or height; maximum 48" width x 88" height

Odd inch and fractional sizes, use next largest even size

Lead lining - \$5 per perimeter inch

STC option - \$13.00 per square ft.

### WIDTH

	6	8	10	12	14	16	18	20	22	24	26	28	30	32	34	36
4	222	222	222	222	222	228	233	237	242	251	258	263	267	282	284	293
6	222	222	222	222	228	231	237	242	251	258	263	267	282	284	293	301
8	222	222	222	222	231	237	242	251	258	263	267	282	284	293	301	308
10	222	222	222	228	237	242	251	258	263	267	282	284	293	301	308	318
12	222	222	228	230	242	251	258	263	267	282	284	293	301	308	318	328
14	228	231	237	242	251	258	263	267	282	284	293	301	308	318	328	433
16	231	237	242	251	258	263	267	282	284	293	301	308	318	328	433	488
18	237	242	251	258	263	267	282	284	293	301	308	318	328	433	488	505
20	242	251	258	263	267	282	284	293	301	308	318	328	433	488	505	536
22	251	258	263	267	282	284	293	301	308	318	328	433	488	505	536	548
24	258	263	267	282	284	293	301	308	318	409	433	488	505	536	548	568
26	263	267	282	284	293	301	308	318	328	433	488	505	536	548	568	636
28	267	282	284	293	301	308	318	328	433	488	505	536	548	568	636	667
30	282	284	293	301	308	318	328	433	488	505	536	548	568	636	667	685
32	284	293	301	308	318	328	433	488	505	536	548	568	636	667	685	717
34	293	301	308	318	328	433	488	505	536	548	568	636	667	685	717	732
36	301	308	318	328	433	488	505	536	548	568	636	667	685	717	732	759
38	308	318	328	433	488	505	536	548	568	636	667	685	717	732	759	802
40	319	329	434	489	506	537	549	569	637	668	686	718	733	760	803	816
42	329	434	489	506	537	549	569	637	668	686	718	733	760	803	816	844
44	434	489	506	537	549	569	637	668	686	718	733	760	803	816	844	868
46	489	506	537	549	569	637	668	686	718	733	760	803	816	844	868	889
48	506	537	549	569	637	668	686	718	733	760	803	816	844	868	889	908
50	537	549	569	637	668	686	718	733	760	803	816	844	868	889	908	943
52	549	569	637	668	686	718	733	760	803	816	844	868	889	908	943	965
54	569	637	668	686	718	733	760	803	816	844	868	889	908	943	965	983
56	637	668	686	718	733	760	803	816	844	868	889	908	943	965	983	1014
58	668	686	718	733	760	803	816	844	868	889	908	943	965	983	1014	1034
60	686	718	733	760	803	816	844	868	889	908	943	965	983	1014	1034	1064
62	719	734	761	804	817	845	869	890	909	944	966	985	1015	1035	1065	1124
64	734	761	804	817	845	869	890	909	944	966	985	1015	1035	1065	1124	1178
66	761	804	817	845	869	890	909	944	966	985	1015	1035	1065	1124	1178	1237
68	804	817	845	869	890	909	944	966	985	1015	1035	1065	1124	1178	1237	1298
70	817	845	869	890	909	944	966	985	1015	1035	1065	1124	1178	1237	1298	1362
72	845	869	890	909	944	966	985	1068	1035	1065	1124	1178	1237	1298	1362	1415

Gray Primer (GPZ) finish standard and will be provided unless one of the following optional finishes is indicated:

Available at no extra charge: (T) Tan (DKB) Dark Bronze (BPR) Beige Primer (matches Steelcraft)  
 (CAB) California Bronze (matches Anemostat) (PTY) Putty (matches Anemostat beige)

Add 15% for following finishes:

(B) Brass (Gold) (GBL) Gloss Black (W) White  
 (MBL) Matte Black (TBL) Textured Black (ASL) Aluminum Silver  
 (WB) Walnut Brown (matches Timely Browntone)  
 (MW) Magnolia White (matches Timely Western White)

Galvanneal - Add 20%

Zinc EL-Plate - Add \$400



# L-CVFM-SS

## Stainless Steel Lite Kits

Torx Security Screws - up to 24" x 24" add \$12, over 24" x 24" add \$24

Minimum 3" width or height; maximum 88" width or height

Odd inch and fractional sizes, use next largest even size

Lead lining - \$5 per perimeter inch

STC option - \$13.00 per square ft.

### WIDTH

	6	8	10	12	14	16	18	20	22	24	26	28	30	32	34	36
4	249	249	249	268	282	301	329	329	338	348	367	381	395	404	409	428
6	249	249	249	282	282	315	329	329	348	381	390	399	404	404	409	428
8	249	249	249	301	315	329	329	348	381	390	399	404	404	428	428	437
10	249	249	207	315	329	329	348	381	390	399	404	428	428	428	437	437
12	282	301	315	<b>193</b>	329	348	381	390	399	404	404	428	437	437	437	461
14	235	315	329	329	338	381	390	399	404	404	428	437	437	461	461	503
16	315	329	329	329	381	390	399	404	428	428	428	437	437	461	470	512
18	329	305	352	381	390	399	334	428	428	428	437	437	461	503	503	517
20	329	352	381	390	399	404	428	432	432	437	437	437	503	503	503	517
22	343	<b>277</b>	390	399	404	428	428	432	432	437	437	461	503	503	517	526
24	305	390	399	404	404	428	428	437	437	<b>357</b>	461	517	517	536	536	550
26	324	338	404	404	428	428	437	437	437	404	517	517	536	545	550	555
28	<b>301</b>	404	428	428	437	437	437	437	461	517	517	536	545	550	555	564
30	334	329	428	437	437	437	385	461	503	<b>385</b>	536	545	550	555	564	592
32	404	<b>329</b>	428	437	461	461	390	503	503	<b>409</b>	545	550	555	564	592	602
34	409	385	437	437	461	470	503	503	517	465	550	555	564	592	602	606
36	<b>329</b>	390	437	461	503	512	517	517	526	<b>423</b>	555	564	592	602	606	611
38	418	390	437	484	517	517	536	545	550	559	564	592	602	606	794	822
40	429	433	485	518	518	537	546	551	560	565	593	603	607	795	823	847
42	527	560	593	603	626	654	664	687	711	739	753	786	795	823	847	908
44	546	593	603	626	654	664	687	711	739	753	786	795	823	847	908	932
46	565	603	626	654	664	687	711	739	753	786	795	823	847	908	932	960
48	635	664	687	701	734	753	772	795	838	856	866	894	908	932	960	969
50	654	687	701	734	753	772	795	838	856	866	894	908	932	960	969	983
52	664	701	734	753	772	795	838	856	866	894	908	932	960	969	983	1026
54	687	734	753	772	795	838	856	866	894	903	932	960	969	983	1026	1073
56	711	753	772	795	819	856	866	894	903	767	932	969	983	1026	1073	1101
58	762	795	819	842	856	894	917	932	946	960	993	1011	1026	1073	1101	1110
60	786	819	842	856	894	917	932	960	974	<b>800</b>	1011	1026	1073	1101	1110	1152
62	806	843	857	895	919	933	961	975	994	942	1027	1074	1102	1111	1154	1177
64	825	857	895	919	933	961	975	994	1013	900	1074	1102	1111	1154	1177	1200
66	876	928	956	966	961	1013	1022	1041	1069	876	1121	1130	1154	1177	1200	1229
68	904	956	966	984	1013	1022	1041	1069	1111	1121	1130	1154	1177	1200	1229	1257
70	928	966	984	1013	1022	1041	1069	1111	1121	1130	1154	1177	1200	1229	1257	1290
72	956	984	1013	1022	1041	1069	1111	1121	1130	1154	1177	1200	1229	1257	1290	1323

### HEIGHT

Stainless steel material - #4 finish standard and will be provided unless one of the following optional finishes is indicated:

Add 15% for following finishes:

- |       |                                       |       |   |
|-------|---------------------------------------|-------|---|
| (T)   | Tan                                   | (DKB) | Dark Bronze                                   |
| (B)   | Brass (Gold)                          | (GBL) | Gloss Black                                   |
| (W)   | White                                 | (MBL) | Matte Black                                   |
| (TBL) | Textured Black                        | (ASL) | Aluminum Silver                               |
| (PTY) | Putty (matches Anemostat Beige)       | (GPZ) | Gray Primer                                   |
| (BPR) | Beige Primer (matches Steelcraft)     | (MW)  | Magnolia White (matches Timely Western White) |
| (CAB) | California Bronze (matches Anemostat) | (WB)  | Walnut Brown (matches Timely Browntone)       |

## L-VGLF Security Lite Kits

Complete Kit shipped including polycarbonate plastic, silicone sealant, fasteners and installation instructions.

<b>L-VGLF- PZ 9x9</b> (1/2" Polycarbonate)	\$202
<b>L-VGLF- MD 9x9</b> (1/2" Polycarbonate)	\$247
<b>L-VGLF- MDL 12x12</b> (1/2" Polycarbonate)	\$330
<b>L-VGLF- WD 9x5</b> (1/2" Polycarbonate)	\$197
<b>L-VGLF- OG 9x9</b> (1/2" Polycarbonate)	\$227
<b>L-VGLF- SF 11x11</b> (1/4" Polycarbonate)	\$304

For torx security screws add \$8  
 Zinc EL-Plate - Add \$400

Gray Primer (GPZ) finish standard and will be provided unless one of the following optional finishes is indicated:

Available at no extra charge:

- (T) Tan (DKB) Dark Bronze
- (BPR) Beige Primer (matches Steelcraft)
- (PTY) Putty (matches Anemostat Beige)
- (CAB) California Bronze (matches Anemostat)

Add 15% for following finishes:

- (B) Brass (Gold) (GBL) Gloss Black
- (W) White (MBL) Matte Black
- (TBL) Textured Black (ASL) Aluminum Silver
- (WB) Walnut Brown (matches Timely Browntone)
- (MW) Magnolia White (matches Timely Western White)

## Round Lite Kits

	<b>Size</b>	<b>Gray Primer</b>
L-FRA100-RD-12	12"	\$275
L-FRA100-RD-18	18"	\$565
L-FRA100-RD-24	24"	\$615

Add 15% for following finishes: (T) Tan (PTY) Putty (matches Anemostat Beige)  
 (W) White (DKB) Dark Bronze (CAB) California Bronze (matches Anemostat)  
 (B) Brass (Gold) (GBL) Gloss Black (BPR) Beige Primer (matches Steelcraft)  
 (MBL) Matte Black (TBL) Textured Black (WB) Walnut Brown (matches Timely Browntone)  
 (ASL) Aluminum Silver (MW) Magnolia White (matches Timely Western White)

Zinc - EL plate - Add \$400  
 Galvanneal - Add 20%



# L-700-RX, L-700-RX-TB, L-700-A, L-700-B, L-700-BF, L-700-C

## Steel Louvers

Non-removable aluminum insect screen - Add \$12 per square foot.  
 Torx Security Screws - up to 24" x 24" add \$12, over 24" x 24" add \$24  
 Minimum 6" width x 4" height; maximum 88" width or height  
 Odd inch and fractional sizes, use next largest even size  
 Thru Bolts (TB) - no extra charge  
 Auxiliary inside frame for L-700-BF \$45

### WIDTH

HEIGHT	WIDTH															
	6	8	10	12	14	16	18	20	22	24	26	28	30	32	34	36
4	65	70	74	75	77	78	84	89	94	96	100	108	113	123	126	129
6	70	74	75	77	78	84	89	94	96	100	108	113	123	126	129	140
8	74	75	77	77	84	89	94	96	100	108	113	123	126	129	140	147
10	75	77	78	84	89	94	96	100	108	113	123	126	129	140	147	161
12	77	78	84	69	94	95	84	108	113	97	126	129	140	147	161	173
14	78	84	89	94	96	100	108	113	123	126	129	140	147	161	173	182
16	84	89	94	96	100	107	113	123	126	129	140	147	161	173	182	206
18	89	94	96	98	108	113	98	126	129	111	147	161	173	182	206	214
20	94	96	100	108	113	123	126	129	140	147	161	173	182	206	214	231
22	96	100	108	113	123	126	129	140	147	161	173	182	206	214	231	242
24	100	108	113	123	126	129	138	147	161	136	182	206	214	231	242	260
26	108	113	123	126	129	140	147	161	173	182	206	214	231	242	260	280
28	113	123	126	129	140	147	161	173	182	206	214	231	242	260	280	298
30	123	126	129	140	147	161	173	182	206	214	231	242	260	280	298	314
32	126	129	140	147	161	173	182	206	214	231	242	260	280	298	314	331
34	129	140	147	161	173	182	206	214	231	242	260	280	298	314	331	346
36	140	147	161	173	182	206	214	231	242	260	280	298	314	331	346	365
38	150	163	178	185	211	220	234	247	268	285	302	322	336	353	374	386
40	166	181	188	214	223	237	250	271	288	305	325	339	356	377	389	405
42	181	188	214	223	237	250	271	288	305	325	339	356	377	389	405	418
44	188	214	223	237	250	271	288	305	325	339	356	377	389	405	418	429
46	214	223	237	250	271	288	305	325	339	356	377	389	405	418	429	444
48	223	237	250	271	288	305	325	339	356	377	389	405	418	429	444	455
50	237	250	271	288	305	325	339	356	377	389	405	418	429	444	455	470
52	250	271	288	305	325	339	356	377	389	405	418	429	444	455	470	483
54	271	288	305	325	339	356	377	389	405	418	429	444	455	470	483	495
56	288	305	325	339	356	377	389	405	418	429	444	455	470	483	495	507
58	305	325	339	356	377	389	405	418	429	444	455	470	483	495	507	517
60	325	339	356	377	389	405	418	429	444	393	470	483	495	507	517	531
62	343	360	381	393	409	422	433	448	459	474	487	499	511	521	535	610
64	360	381	393	409	422	433	448	459	474	461	499	511	521	535	610	628
66	381	393	409	422	433	448	459	463	487	474	508	521	535	610	628	655
68	393	409	422	433	448	459	474	487	499	511	521	535	610	628	655	686
70	409	422	433	448	459	474	487	499	511	521	535	610	628	655	686	762
72	422	433	448	459	474	487	499	511	521	535	610	628	655	686	762	800

Gray Primer (GPZ) finish standard and will be provided unless one of the following optional finishes is indicated:

Available at no extra charge: (T) Tan (DKB) Dark Bronze (BPR) Beige Primer (matches Steelcraft)  
 (CAB) California Bronze (matches Anemostat) (PTY) Putty (matches Anemostat beige)

Add 15% for following finishes:

(B) Brass (Gold) (GBL) Gloss Black (W) White  
 (MBL) Matte Black (TBL) Textured Black (ASL) Aluminum Silver  
 (WB) Walnut Brown (matches Timely Browntone)  
 (MW) Magnolia White (matches Timely Western White)

Galvanneal - Add 20%

Zinc EL-Plate - Add \$400

# L-A700-A, L-A700-B, L-A700-BF, L-A700-C

## Aluminum Louvers

Non-removable aluminum insect screen - add \$12 per square foot.  
 Torx Security Screws - up to 24" x 24" add \$12, over 24" x 24" add \$24  
 Minimum 6" width or height; maximum 88" width or height  
 Odd inch and fractional sizes, use next largest even size  
 Thru-bolts (TB) no extra charge.  
 Auxiliary inside frame for L-A700-BF \$90

### WIDTH

	6	8	10	12	14	16	18	20	22	24	26	28	30	32	34	36
<b>6</b>	211	211	211	213	219	226	228	241	252	253	265	271	291	301	319	347
<b>8</b>	211	211	213	219	226	228	241	252	253	265	271	291	301	319	347	363
<b>10</b>	211	213	219	226	228	241	252	253	265	271	291	301	319	347	363	397
<b>12</b>	213	219	226	228	241	252	253	265	271	291	301	319	347	363	397	440
<b>14</b>	219	226	228	241	252	253	265	271	291	301	319	347	363	397	440	444
<b>16</b>	226	228	241	252	253	265	271	291	301	319	347	363	397	440	444	503
<b>18</b>	228	241	252	253	265	271	291	301	319	347	363	397	440	444	503	535
<b>20</b>	241	252	253	265	271	291	301	319	347	363	397	440	444	503	535	568
<b>22</b>	252	253	265	271	291	301	319	347	363	397	440	444	503	535	568	598
<b>24</b>	253	265	271	291	301	319	347	363	397	415	444	503	535	568	598	654
<b>26</b>	265	271	291	301	319	347	363	397	440	444	503	535	568	598	654	690
<b>28</b>	271	291	301	319	347	363	397	440	444	503	535	568	598	654	690	736
<b>30</b>	291	301	319	347	363	397	440	444	503	535	568	598	654	690	736	776
<b>32</b>	301	319	347	363	397	440	444	503	535	568	598	654	690	736	776	819
<b>34</b>	319	347	363	397	440	444	503	535	568	598	654	690	736	776	819	871
<b>36</b>	347	363	397	440	444	503	535	568	598	654	690	736	776	819	871	913
<b>38</b>	363	397	440	444	503	535	568	598	654	690	736	776	819	871	913	955
<b>40</b>	400	443	447	506	538	571	601	657	693	739	779	822	874	916	958	992
<b>42</b>	443	447	506	538	571	601	657	693	739	779	822	874	916	958	992	1020
<b>44</b>	447	506	538	571	601	657	693	739	779	822	874	916	958	992	1020	1056
<b>46</b>	506	538	571	601	657	693	739	779	822	874	916	958	992	1020	1056	1088
<b>48</b>	538	571	601	657	693	739	779	822	874	916	958	992	1020	1056	1088	1114
<b>50</b>	571	601	657	693	739	779	822	874	916	958	992	1020	1056	1088	1114	1145
<b>52</b>	601	657	693	739	779	822	874	916	958	992	1020	1056	1088	1114	1145	1188
<b>54</b>	657	693	739	779	822	874	916	958	992	1020	1056	1088	1114	1145	1188	1213
<b>56</b>	693	739	779	822	874	916	958	992	1020	1056	1088	1114	1145	1188	1213	1243
<b>58</b>	739	779	822	874	916	958	992	1020	1056	1088	1114	1145	1188	1213	1243	1273
<b>60</b>	779	822	874	916	958	992	1020	1056	1088	1114	1145	1188	1213	1243	1273	1299
<b>62</b>	826	878	920	962	996	1024	1060	1092	1118	1149	1192	1217	1247	1277	1303	1489
<b>64</b>	878	920	962	996	1024	1060	1092	1118	1149	1192	1217	1247	1277	1303	1489	1541
<b>66</b>	920	962	996	1024	1060	1092	1118	1149	1192	1217	1247	1277	1303	1489	1541	1622
<b>68</b>	962	996	1024	1060	1092	1118	1149	1192	1217	1247	1277	1303	1489	1541	1622	1700
<b>70</b>	996	1024	1060	1092	1118	1149	1192	1217	1247	1277	1303	1489	1541	1622	1700	1895
<b>72</b>	1024	1060	1092	1118	1149	1192	1217	1247	1277	1303	1489	1541	1622	1700	1895	2031

Aluminum material - Aluminum Silver (ASL) finish standard and will be provided unless one of the following optional finishes is indicated:

Available at no extra charge:

- |                   |   |
|-------------------|---|
| (T) Tan           | (BPR) Beige Primer (matches Steelcraft)     |
| (DKB) Dark Bronze | (PTY) Putty (matches Anemostat Beige)       |
| (GPZ) Gray Primer | (CAB) California Bronze (matches Anemostat) |

Add 15% for following finishes:

- |  |                      |
|--|----------------------|
| (GBL) Gloss Black                                  | (MBL) Matte Black    |
| (B) Brass (Gold)                                   | (TBL) Textured Black |
| (W) White  |                      |
| (MW) Magnolia White (matches Timely Western White) |                      |
| (WB) Walnut Brown (matches Timely Browntone)       |                      |



**L-1800** Adjustable Blade Louver

**L-1900** Fire-rated Fusible Link Louver

		W I D T H							
		10	12	14	16	18	20	22	24
H E I G H T	6	226	231	242	249	257	271	276	283
	8	231	242	249	257	271	276	283	295
	10	242	249	257	271	276	283	295	298
	12	249	<b>201</b>	271	276	<b>219</b>	295	298	<b>238</b>
	14	256	284	288	295	300	305	308	314
	16	284	295	307	313	317	332	339	346
	18	295	307	313	317	<b>252</b>	339	346	<b>342</b>
	20	307	313	317	342	344	346	352	355
	22	313	317	342	346	352	355	359	362
	24	317	342	346	352	359	360	362	<b>281</b>
	26	342	352	360	362	373	381	390	399
	28	352	362	373	381	390	399	408	417
	30	362	381	390	399	408	417	427	437

Non-removable aluminum insect screen - add \$12 per square foot.  
 Torx Security Screws - up to 24" x 24" add \$12.  
 Minimum size 10" width x 6" height; maximum 24" width x 30" height  
 Odd inch sizes, use next largest even size. Fractional sizes not available.

Gray Primer (GPZ) finish standard and will be provided unless one of the following optional finishes is indicated:  
 Available at no extra charge: (T) Tan (DKB) Dark Bronze (BPR) Beige Primer (matches Steelcraft)  
 (CAB) California Bronze (matches Anemostat) (PTY) Putty (matches Anemostat beige)

Add 15% for following finishes:  
 (B) Brass (Gold) (GBL) Gloss Black (W) White  
 (MBL) Matte Black (TBL) Textured Black (ASL) Aluminum Silver  
 (WB) Walnut Brown (matches Timely Browntone)  
 (MW) Magnolia White (matches Timely Western White)

Galvanneal - Add 20%  
 Replacement Fusible Links \$20



# L-75-A, L-75-B, L-75-BF

## Darkroom Louvers

Non-removable aluminum insect screen - add \$12 per square foot  
 Torx Security Screws - up to 24" x 24" add \$12, over 24" x 24" add \$24  
 Minimum 6" width x 4" height; maximum 88" width or height  
 Odd inch and fractional sizes, use next largest even size  
 Thru-bolts (TB) no extra charge

### WIDTH

		6	8	10	12	14	16	18	20	22	24	26	28	30	32	34	36
HEIGHT	4	240	240	240	240	247	251	259	264	279	294	350	381	419	428	496	549
	6	240	240	240	247	251	259	264	279	294	350	381	419	428	496	549	584
	8	240	240	247	251	259	264	279	294	350	381	419	428	496	549	584	688
	10	240	247	251	259	264	279	294	350	381	419	428	496	549	584	688	705
	12	247	251	259	264	279	294	350	381	419	428	496	549	584	688	705	714
	14	251	259	264	279	294	350	381	419	428	496	549	584	688	705	714	788
	16	259	264	279	294	350	381	419	428	496	549	584	688	705	714	788	881
	18	264	279	294	350	381	419	428	496	549	584	688	705	714	788	881	912
	20	279	294	350	381	419	428	496	549	584	688	705	714	788	881	912	1003
	22	294	350	381	419	428	496	549	584	688	705	714	788	881	912	1003	1037
	24	350	381	419	428	496	549	584	688	705	714	788	881	912	1003	1037	1096
	26	381	419	428	496	549	584	688	705	714	788	881	912	1003	1037	1096	1157
	28	419	428	496	549	584	688	705	714	788	881	912	1003	1037	1096	1157	1211
	30	428	496	549	584	688	705	714	788	881	912	1003	1037	1096	1157	1211	1247
	32	496	549	584	688	705	714	788	881	912	1003	1037	1096	1157	1211	1247	1306
	34	549	584	688	705	714	788	881	912	1003	1037	1096	1157	1211	1247	1306	1360
	36	584	688	705	714	788	881	912	1003	1037	1096	1157	1211	1247	1306	1360	1432
	38	688	705	714	788	881	912	1003	1037	1096	1157	1211	1247	1306	1360	1432	1468
	40	705	714	788	881	912	1003	1037	1096	1157	1211	1247	1306	1360	1432	1468	1534
	42	714	788	881	912	1003	1037	1096	1157	1211	1247	1306	1360	1432	1468	1534	1601
	44	788	881	912	1003	1037	1096	1157	1211	1247	1306	1360	1432	1468	1534	1601	1656
	46	881	912	1003	1037	1096	1157	1211	1247	1306	1360	1432	1468	1534	1601	1656	1723
48	912	1003	1037	1096	1157	1211	1247	1306	1360	1432	1468	1534	1601	1656	1723	1769	
50	1003	1037	1096	1157	1211	1247	1306	1360	1432	1468	1534	1601	1656	1723	1769	1845	
52	1037	1096	1157	1211	1247	1306	1360	1432	1468	1534	1601	1656	1723	1769	1845	1903	
54	1096	1157	1211	1247	1306	1360	1432	1468	1534	1601	1656	1723	1769	1845	1903	1972	
56	1157	1211	1247	1306	1360	1432	1468	1534	1601	1656	1723	1769	1845	1903	1972	2043	
58	1211	1247	1306	1360	1432	1468	1534	1601	1656	1723	1769	1845	1903	1972	2043	2108	
60	1247	1306	1360	1432	1468	1534	1601	1656	1723	1769	1845	1903	1972	2043	2108	2186	
62	1306	1360	1432	1468	1534	1601	1656	1723	1769	1845	1903	1972	2043	2108	2186	2252	
64	1360	1432	1468	1534	1601	1656	1723	1769	1845	1903	1972	2043	2108	2186	2252	2357	
66	1432	1468	1534	1601	1656	1723	1769	1845	1903	1972	2043	2108	2186	2252	2357	2459	
68	1468	1534	1601	1656	1723	1769	1845	1903	1972	2043	2108	2186	2252	2357	2459	2563	
70	1534	1601	1656	1723	1769	1845	1903	1972	2043	2108	2186	2252	2357	2459	2563	2664	
72	1601	1656	1723	1769	1845	1903	1972	2043	2108	2186	2252	2357	2459	2563	2664	2768	

Textured Black (TBL) finish standard and will be provided unless one of the following optional finishes is indicated:

Available at no extra charge: (T) Tan (DKB) Dark Bronze (BPR) Beige Primer (matches Steelcraft)  
 (CAB) California Bronze (matches Anemostat) (PTY) Putty (matches Anemostat beige)

Add 15% for following finishes:

(B) Brass (Gold) (GBL) Gloss Black (W) White  
 (MBL) Matte Black (ASL) Aluminum Silver  
 (WB) Walnut Brown (matches Timely Browntone)  
 (MW) Magnolia White (matches Timely Western White)

Zinc EL-Plate - Add \$400



# L-VRSG-2, L-VRSG-2-TB

## Louvers with Security Grille

Non-removable aluminum insect screen - Add \$12 per square foot.  
 Torx Security Screws - up to 24" x 24" add \$12, over 24" x 24" add \$24  
 Minimum 6" width x 4" height; maximum 48" width x 88" height  
 Odd inch and fractional sizes, use next largest even size

### WIDTH

### HEIGHT

	6	8	10	12	14	16	18	20	22	24	26	28	30	32	34	36
4	128	129	137	141	152	157	164	167	177	185	186	189	196	206	218	231
6	129	137	141	152	157	164	167	175	185	186	189	196	206	218	231	255
8	137	141	152	157	164	167	175	185	186	189	196	206	218	231	255	275
10	141	152	157	164	167	175	185	186	189	196	206	218	231	255	275	285
12	152	157	164	164	175	185	184	189	196	200	218	231	255	275	285	287
14	157	164	167	175	185	186	189	196	206	218	231	255	275	285	287	327
16	164	167	175	185	186	189	196	206	218	231	255	275	285	287	327	359
18	167	175	185	186	189	196	200	218	231	255	275	285	287	327	359	377
20	175	185	186	189	196	206	218	231	255	275	285	287	327	359	377	414
22	185	186	189	196	206	218	231	255	275	285	287	327	359	377	414	438
24	186	189	196	206	218	231	255	275	285	287	327	359	377	414	438	472
26	189	196	206	218	231	255	275	285	287	327	359	377	414	438	472	492
28	196	206	218	231	255	275	285	287	327	359	377	414	438	472	492	517
30	206	218	231	255	275	285	287	327	359	377	414	438	472	492	517	551
32	218	231	255	275	285	287	327	359	377	414	438	472	492	517	551	577
34	231	255	275	285	287	327	359	377	414	438	472	492	517	551	577	608
36	255	275	285	287	327	359	377	414	438	472	492	517	551	577	608	631
38	275	285	287	327	359	377	414	438	472	492	517	551	577	608	631	650
40	285	287	327	359	377	414	438	472	492	517	551	577	608	631	650	671
42	287	327	359	377	414	438	472	492	517	551	577	608	631	650	671	689
44	327	359	377	414	438	472	492	517	551	577	608	631	650	671	689	699
46	359	377	414	438	472	492	517	551	577	608	631	650	671	689	699	731
48	377	414	438	472	492	517	551	577	608	631	650	671	689	699	731	751
50	414	438	472	492	517	551	577	608	631	650	671	689	699	731	751	756
52	438	472	492	517	551	577	608	631	650	671	689	699	731	751	756	766
54	472	492	517	551	577	608	631	650	671	689	699	731	751	756	766	774
56	492	517	551	577	608	631	650	671	689	699	731	751	756	766	774	791
58	517	551	577	608	631	650	671	689	699	731	751	756	766	774	791	859
60	551	577	608	631	650	671	689	699	731	751	756	766	774	791	859	884
62	577	608	631	650	671	689	699	731	751	756	766	774	791	859	884	906
64	608	631	650	671	689	699	731	751	756	766	774	791	859	884	906	940
66	631	650	671	689	699	731	751	756	766	774	791	859	884	906	940	946
68	650	671	689	699	731	751	756	766	774	791	859	884	906	940	946	971
70	671	689	699	731	751	756	766	774	791	859	884	906	940	946	971	990
72	689	699	731	751	756	766	774	791	859	884	906	940	946	971	990	1013

Gray Primer (GPZ) finish standard and will be provided unless one of the following optional finishes is indicated:

Available at no extra charge: (T) Tan (DKB) Dark Bronze (BPR) Beige Primer (matches Steelcraft)  
 (CAB) California Bronze (matches Anemostat) (PTY) Putty (matches Anemostat beige)

Add 15% for following finishes:

- (B) Brass (Gold) (GBL) Gloss Black (W) White
- (MBL) Matte Black (TBL) Textured Black (ASL) Aluminum Silver
- (WB) Walnut Brown (matches Timely Browntone)
- (MW) Magnolia White (matches Timely Western White)

Galvanneal - Add 20%

Zinc EL-Plate -Add \$400

# L-VRSG-3, L-VRSG-3-TB

## Louvers with Security Grille both Sides

Non-removable aluminum insect screen - Add \$12 per square foot

Torx Security Screws - up to 24" x 24" add \$12, over 24" x 24" add \$24

Minimum 6" width x 4" height; maximum 48" width x 88" height

Odd inch and fractional sizes, use next largest even size

### WIDTH

	6	8	10	12	14	16	18	20	22	24	26	28	30	32	34	36
<b>4</b>	140	145	147	151	167	170	180	185	190	209	212	220	235	249	267	277
<b>6</b>	145	147	151	167	170	180	185	190	209	212	220	235	249	267	277	305
<b>8</b>	147	151	166	170	180	185	190	209	212	220	235	249	267	277	305	325
<b>10</b>	151	167	170	180	185	190	209	212	220	235	249	267	277	305	325	339
<b>12</b>	167	170	180	180	190	209	207	220	235	243	267	277	305	325	339	388
<b>14</b>	170	180	185	190	209	212	220	235	249	267	277	305	325	339	388	404
<b>16</b>	180	185	190	209	212	220	235	249	267	277	305	325	339	388	404	435
<b>18</b>	185	190	209	212	220	235	243	267	277	302	325	339	388	404	435	456
<b>20</b>	190	209	212	220	235	249	267	277	305	325	339	388	404	435	456	495
<b>22</b>	209	212	220	235	249	267	277	305	325	339	388	404	435	456	495	528
<b>24</b>	212	220	235	249	267	277	305	325	339	388	404	435	456	495	528	556
<b>26</b>	220	235	249	267	277	305	325	339	388	404	435	456	495	528	556	587
<b>28</b>	235	249	267	277	305	325	339	388	404	435	456	495	528	556	587	641
<b>30</b>	249	267	277	305	325	339	388	404	435	456	495	528	556	587	641	651
<b>32</b>	267	277	305	325	339	388	404	435	456	495	528	556	587	641	651	684
<b>34</b>	277	305	325	339	388	404	435	456	495	528	556	587	641	651	684	714
<b>36</b>	305	325	339	388	404	435	456	495	528	556	587	641	651	684	714	744
<b>38</b>	325	339	388	404	435	456	495	528	556	587	641	651	684	714	744	766
<b>40</b>	339	388	404	435	456	495	528	556	587	641	651	684	714	744	766	791
<b>42</b>	388	404	435	456	495	528	556	587	641	651	684	714	744	766	791	810
<b>44</b>	404	435	456	495	528	556	587	641	651	684	714	744	766	791	810	824
<b>46</b>	435	456	495	528	556	587	641	651	684	714	744	766	791	810	824	858
<b>48</b>	456	495	528	556	587	641	651	684	714	744	766	791	810	824	858	900
<b>50</b>	495	528	556	587	641	651	684	714	744	766	791	810	824	858	900	915
<b>52</b>	528	556	587	641	651	684	714	744	766	791	810	824	858	900	915	924
<b>54</b>	556	587	641	651	684	714	744	766	791	810	824	858	900	915	924	945
<b>56</b>	587	641	651	684	714	744	766	791	810	824	858	900	915	924	945	970
<b>58</b>	641	651	684	714	744	766	791	810	824	858	900	915	924	945	970	1109
<b>60</b>	651	684	714	744	766	791	810	824	858	900	915	924	945	970	1109	1139
<b>62</b>	684	714	744	766	791	810	824	858	900	915	924	945	970	1109	1139	1200
<b>64</b>	714	744	766	791	810	824	858	900	915	924	945	970	1109	1139	1200	1244
<b>66</b>	744	766	791	810	824	858	900	915	924	945	970	1109	1139	1200	1244	1258
<b>68</b>	766	791	810	824	858	900	915	924	945	970	1109	1139	1200	1244	1258	1286
<b>70</b>	791	810	824	858	900	915	924	945	970	1109	1139	1200	1244	1258	1286	1313
<b>72</b>	810	824	858	900	915	924	945	970	1109	1139	1200	1244	1258	1286	1313	1354

HEIGHT

L-VRSG-3, L-VRSG-3-TB

Louvers with Security Grille both Sides

Gray Primer (GPZ) finish standard and will be provided unless one of the following optional finishes is indicated:

Available at no extra charge: (T) Tan (DKB) Dark Bronze (BPR) Beige Primer (matches Steelcraft)  
 (CAB) California Bronze (matches Anemostat) (PTY) Putty (matches Anemostat beige)

Add 15% for following finishes:

(B) Brass (Gold) (GBL) Gloss Black (W) White  
 (MBL) Matte Black (TBL) Textured Black (ASL) Aluminum Silver  
 (WB) Walnut Brown (matches Timely Browntone)  
 (MW) Magnolia White (matches Timely Western White)

Galvanneal - Add 20%

Zinc EL-Plate - Add \$400



# SuperLite™ I-W

## Safety Wired Glass

U.S. Patent No. 7,090,906

Meets CPSC 16CFR 1201 category II impact safety requirements  
 Etched with UL Fire-rating classification on each piece  
 Odd inch or fractional sizes, use next largest size  
 Under 3" - call for quote

Full sheet = 57" x 100"

### WIDTH

	5	6	7	8	10	12	14	16	18	20	22	24	26	28	30	32	34	36
<b>4</b>	101	101	101	101	101	101	101	101	101	101	101	101	101	101	101	101	101	101
<b>6</b>	101	101	101	101	101	101	101	101	101	101	101	101	109	118	126	135	143	152
<b>8</b>	101	101	101	101	101	101	101	101	101	112	123	135	146	157	168	180	191	202
<b>10</b>	101	101	101	101	101	101	101	112	126	140	154	168	182	196	210	224	238	253
<b>12</b>	101	101	101	101	101	101	118	135	152	168	185	202	219	236	253	269	286	303
<b>14</b>	101	101	101	101	101	118	137	157	177	196	216	236	255	275	295	314	334	354
<b>16</b>	101	101	101	101	112	135	157	180	202	224	247	269	292	314	337	359	382	404
<b>18</b>	101	101	101	101	126	152	177	202	227	253	278	303	328	354	379	404	429	455
<b>20</b>	101	101	101	112	140	168	196	224	253	281	309	337	365	393	421	449	477	505
<b>22</b>	101	101	101	123	154	185	216	247	278	309	339	370	401	432	463	494	525	556
<b>24</b>	101	101	118	135	168	202	236	269	303	337	370	404	438	471	505	539	572	606
<b>26</b>	101	109	128	146	182	219	255	292	328	365	401	438	474	511	547	584	620	657
<b>28</b>	101	118	137	157	196	236	275	314	354	393	432	471	511	550	589	628	668	707
<b>30</b>	101	126	147	168	210	253	295	337	379	421	463	505	547	589	631	673	715	758
<b>32</b>	101	135	157	180	224	269	314	359	404	449	494	539	584	628	673	718	763	808
<b>34</b>	101	143	167	191	238	286	334	382	429	477	525	572	620	668	715	763	811	859
<b>36</b>	126	152	177	202	253	303	354	404	455	505	556	606	657	707	758	808	859	909
<b>38</b>	133	160	187	213	267	320	373	426	480	533	586	640	693	746	800	853	906	960
<b>40</b>	140	168	196	224	281	337	393	449	505	561	617	673	729	786	842	898	954	1212
<b>42</b>	147	177	206	236	295	354	412	471	530	589	648	707	766	825	884	943	1202	1273
<b>44</b>	154	185	216	247	309	370	432	494	556	617	679	741	802	864	926	1185	1259	1333
<b>46</b>	161	194	226	258	323	387	452	516	581	645	710	774	839	903	968	1239	1316	1394
<b>48</b>	168	202	236	269	337	404	471	539	606	673	741	808	875	943	1212	1293	1374	1454
<b>50</b>	175	210	245	281	351	421	491	561	631	701	772	842	912	1178	1263	1347	1431	1515
<b>52</b>	182	219	255	292	365	438	511	584	657	729	802	875	948	1225	1313	1401	1488	1576
<b>54</b>	189	227	265	303	379	455	530	606	682	758	833	909	1182	1273	1364	1454	1545	1636
<b>56</b>	196	236	275	314	393	471	550	628	707	786	864	943	1225	1320	1414	1508	1603	1768
<b>58</b>	203	244	285	325	407	488	570	651	732	814	895	1172	1269	1367	1465	1562	1729	1831
<b>60</b>	210	253	295	337	421	505	589	673	758	842	926	1212	1313	1414	1515	1616	1789	1894
<b>62</b>	217	261	304	348	435	522	609	696	783	870	957	1252	1357	1461	1566	1739	1848	1957
<b>64</b>	224	269	314	359	449	539	628	718	808	898	1185	1293	1401	1508	1616	1796	1908	2020
<b>66</b>	231	278	324	370	463	556	648	741	833	926	1222	1333	1444	1555	1736	1852	1967	2083
<b>68</b>	238	286	334	382	477	572	668	763	859	954	1259	1374	1488	1603	1789	1908	2027	2146
<b>70</b>	245	295	344	393	491	589	687	786	884	1178	1296	1414	1532	1650	1841	1964	2087	2178
<b>72</b>	303	364	424	485	606	727	848	970	1091	1212	1333	1454	1576	1768	1894	2020	2146	2178

Glass for Round Lite Kits:  
 to fit in kits 12" \$ 475  
 18" \$ 925  
 24" \$ 1,150

With GT-118 glazing tape supplied (loose) for both sides:  
 Add \$4.25 per square foot to each piece of glass.

# Pyran® F

Meets CPSC 16CFR 1201 Cat. I & II impact safety requirements

Etched with UL fire-rating classification on each piece.

Odd inch or fractional sizes, use next largest size

Full sheet = 43" x 77"

## WIDTH

	5	6	7	8	10	12	14	16	18	20	22	24	26	28	30	32	34	36
4	180	180	180	180	180	180	180	180	180	180	180	180	180	180	180	180	180	180
6	180	180	180	180	180	180	180	180	180	180	180	180	195	210	225	240	255	270
8	180	180	180	180	180	180	180	180	180	200	220	240	260	280	300	320	340	360
10	180	180	180	180	180	180	180	200	225	250	275	300	325	350	375	400	425	450
12	180	180	180	180	180	180	210	240	270	300	330	360	390	420	450	480	510	540
14	180	180	180	180	180	210	245	280	315	350	385	420	455	490	525	560	595	630
16	180	180	180	180	200	240	280	320	360	400	440	480	520	560	600	640	680	720
18	180	180	180	180	225	270	315	360	405	450	495	540	585	630	675	720	765	810
20	180	180	180	200	250	300	350	400	450	500	550	600	650	700	750	800	850	900
22	180	180	180	220	275	330	385	440	495	550	605	660	715	770	825	880	935	990
24	180	180	210	240	300	360	420	480	540	600	660	720	780	840	900	960	1020	1080
26	180	195	228	260	325	390	455	520	585	650	715	780	845	910	975	1040	1105	1170
28	180	210	245	280	350	420	490	560	630	700	770	840	910	980	1050	1120	1190	1260
30	180	225	263	300	375	450	525	600	675	750	825	900	975	1050	1125	1200	1275	1350
32	180	240	280	320	400	480	560	640	720	800	880	960	1040	1120	1200	1280	1360	1440
34	180	255	298	340	425	510	595	680	765	850	935	1020	1105	1190	1275	1360	1445	1530
36	225	270	315	360	450	540	630	720	810	900	990	1080	1170	1260	1350	1440	1530	1620
38	238	285	333	380	475	570	665	760	855	950	1045	1140	1235	1330	1425	1520	1615	1710
40	250	300	350	400	500	600	700	800	900	1000	1100	1200	1300	1400	1500	1600	1700	2160
42	263	315	368	420	525	630	735	840	945	1050	1155	1260	1365	1470	1575	1680	2142	2268
44	275	330	385	440	550	660	770	880	990	1100	1210	1320	1430	1540	1650	2112	2244	2376
46	288	345	403	460	575	690	805	920	1035	1150	1265	1380	1495	1610	1725	2208	2346	2484
48	300	360	420	480	600	720	840	960	1080	1200	1320	1440	1560	1680	2160	2304	2448	2592
50	313	375	438	500	625	750	875	1000	1125	1250	1375	1500	1625	2100	2250	2400	2550	2700
52	325	390	455	520	650	780	910	1040	1170	1300	1430	1560	1690	2184	2340	2496	2652	2808
54	338	405	473	540	675	810	945	1080	1215	1350	1485	1620	2106	2268	2430	2592	2754	2916
56	350	420	490	560	700	840	980	1120	1260	1400	1540	1680	2184	2352	2520	2688	2856	3150
58	363	435	508	580	725	870	1015	1160	1305	1450	1595	2088	2262	2436	2610	2784	3081	3263
60	375	450	525	600	750	900	1050	1200	1350	1500	1650	2160	2340	2520	2700	2880	3188	3375
62	388	465	543	620	775	930	1085	1240	1395	1550	1705	2232	2418	2604	2790	3100	3294	3488
64	400	480	560	640	800	960	1120	1280	1440	1600	2112	2304	2496	2688	2880	3200	3400	3600
66	413	495	578	660	825	990	1155	1320	1485	1650	2178	2376	2574	2772	3094	3300	3506	3713
68	425	510	595	680	850	1020	1190	1360	1530	1700	2244	2448	2652	2856	3188	3400	3613	3825
70	438	525	613	700	875	1050	1225	1400	1575	2100	2310	2520	2730	2940	3281	3500	3719	3881
72	540	648	756	864	1080	1296	1512	1728	1944	2160	2376	2592	2808	3150	3375	3600	3825	3881
74	555	666	777	888	1110	1332	1554	1776	2398	2220	2442	2664	2886	3238	3469	3700	3881	3881
76	570	684	798	912	1140	1368	1596	1824	2462	2280	2508	2736	2964	3325	3563	3800	3881	3881
77	578	693	809	924	1155	1386	1617	1848	2495	2310	2541	2772	3128	3369	3609	3881	3881	3881

With GT-118 glazing tape supplied (loose) for both sides: Add \$4.25 per square foot to each piece of glass.

Glass for Round Lite Kits:

to fit in kits	12"	\$ 788
	18"	1,525
	24"	1,890



# Pyran® L, Superlite™ I-20, Superlite™ II-XL Glass

## Pyran® L

3/8" Thick  
Full sheet = 43" x 77"

Call for quote

## SuperLite™ I-20

1/4" Thick

Call for quote

## SuperLite™ II-XL

45 Minute 3/4" Thick  
60 Minute 1-1/8" Thick  
90 Minute 1-1/2" Thick

Call for quote

## Replacement Fasteners

Fasteners are finished to match Lite or Louver. Specify color when ordering separately.

### Standard Fasteners:

L-GLF100-TB	Thru-Bolts (TB)	\$2.30 / EA.
	Torx Security Thru-Bolts	3.65 / EA.
L-GLF100/L-GLF100-SP	#6 x 1-3/4" Truss Head SMS	.39 / EA.
	#6 x 1-3/4" TORX	1.85 / EA.
L-GLF100-SP	#6 x 1" Truss Head SMS	.37 / EA.
L-700-RX, L-1800, L-1900	#8 x 3/4" Oval Phillips head SMS	.35 / EA.
	#8 x 3/4" Torx Security SMS	1.75 / EA.
L-FRA100	#8 x 1-3/4" Oval Phillips Head SMS	.42 / EA.
L-FRA100-SP	#8 x 1-1/4" Oval Phillips Head SMS	.38 / EA.
	#8 x 1-3/4" Oval Phillips Head SMS	.42 / EA.
	#8 x 1-3/4" Torx Security SMS	2.00 / EA.
L-700, L-A700, L-75	#8 x 3/4" Phillips Head TEK	.40 / EA.
L-VGLF series	#8 x 1" Phillips Oval TEK	.44 / EA.
	#8 x 1/2" hex washer TEK	.48 / EA.

# 1/4" Wired Glass - Diamond

Etched with UL Fire-rating classification on each piece up to 1,296 sq. inches visible area - 54" max. width or height

Odd inch or fractional sizes, use next largest size

Under 3" - call for quote

Full sheet = 48" x 100"

## WIDTH

	5	6	7	8	10	12	14	16	18	20	22	24	26	28	30	32	34	36
4	45	45	45	45	45	45	45	45	45	45	45	45	45	45	45	45	45	45
6	45	45	45	45	45	45	45	45	45	45	45	45	49	53	56	60	64	68
8	45	45	45	45	45	45	45	45	45	50	55	60	65	70	75	80	85	90
10	45	45	45	45	45	45	45	50	56	63	69	75	81	88	94	100	106	113
12	45	45	45	45	45	45	53	60	68	75	83	90	98	105	113	120	128	135
14	45	45	45	45	45	53	61	70	79	88	96	105	114	123	131	140	149	158
16	45	45	45	45	50	60	70	80	90	100	110	120	130	140	150	160	170	180
18	45	45	45	45	56	68	79	90	101	113	124	135	146	158	169	180	191	203
20	45	45	45	50	63	75	88	100	113	125	138	150	163	175	188	200	213	225
22	45	45	45	55	69	83	96	110	124	138	151	165	179	193	206	220	234	248
24	45	45	53	60	75	90	105	120	135	150	165	180	195	210	225	240	255	270
26	45	49	57	65	81	98	114	130	146	163	179	195	211	228	244	260	276	293
28	45	53	61	70	88	105	123	140	158	175	193	210	228	245	263	280	298	315
30	45	56	66	75	94	113	131	150	169	188	206	225	244	263	281	300	319	338
32	45	60	70	80	100	120	140	160	180	200	220	240	260	280	300	320	340	360
34	45	64	74	85	106	128	149	170	191	213	234	255	276	298	319	340	361	383
36	56	68	79	90	113	135	158	180	203	225	248	270	293	315	338	360	383	405
38	59	71	83	95	119	143	166	190	214	238	261	285	309	333	356	380	404	428
40	63	75	88	100	125	150	175	200	225	250	275	300	325	350	375	400	425	540
42	66	79	92	105	131	158	184	210	236	263	289	315	341	368	394	420	536	567
44	69	83	96	110	138	165	193	220	248	275	303	330	358	385	413	528	561	594
46	72	86	101	115	144	173	201	230	259	288	316	345	374	403	431	552	587	621
48	75	90	105	120	150	180	210	240	270	300	330	360	390	420	540	576	612	648
50	78	94	109	125	156	188	219	250	281	313	344	375	406	525	563	600	638	675
52	81	98	114	130	163	195	228	260	293	325	358	390	423	546	585	624	663	702
54	84	101	118	135	169	203	236	270	304	338	371	405	527	567	608	648	689	729
56	88	105	123	140	175	210	245	280	315	350	385	420	546	588	630	672	714	788
58	91	109	127	145	181	218	254	290	326	363	399	522	566	609	653	696	770	816
60	94	113	131	150	188	225	263	300	338	375	413	540	585	630	675	720	797	844
62	97	116	136	155	194	233	271	310	349	388	426	558	605	651	698	775	823	872
64	100	120	140	160	200	240	280	320	360	400	528	576	624	672	720	800	850	900
66	103	124	144	165	206	248	289	330	371	413	545	594	644	693	773	825	877	928
68	106	128	149	170	213	255	298	340	383	425	561	612	663	714	797	850	903	956
70	109	131	153	175	219	263	306	350	394	525	578	630	683	735	820	875	930	970
72	135	162	189	216	270	324	378	432	486	540	594	648	702	788	844	900	956	970

HEIGHT

Glass for Round Lite Kits:

to fit in kits 12" \$180  
 18" \$345  
 24" \$450

With GT-118 glazing tape supplied (loose) for both sides:  
 Add \$4.25 per square foot to each piece of glass

With GT-9800 intumescent glazing tape supplied (loose) for both sides:  
 Add \$16 per square foot to each piece of glass

**Does NOT comply with IBC 2006 or newer requirements for use in doors or sidelights. Allowed only in non-hazardous locations defined in IBC**



# TEMPERED GLASS - 1/4"

Meets CPSC 16CFR 1201 Cat. I & II impact safety requirements  
Minimum 11" height. Full sheet = 84" x 144"  
Odd inch or fractional sizes, use next largest size

		W I D T H																
		6	8	10	12	14	6	18	20	22	24	26	28	30	32	34	36	
H E I G H T	12	51	51	51	51	51	51	51	51	51	51	51	51	51	51	51	51	
	14	51	51	51	51	51	51	51	51	51	51	51	51	51	51	68	68	68
	16	51	51	51	51	51	51	51	51	51	51	51	51	68	68	68	68	68
	18	51	51	51	51	51	51	51	51	51	51	68	68	68	68	85	85	85
	20	51	51	51	51	51	51	51	51	68	68	68	68	85	85	85	85	85
	22	51	51	51	51	51	51	51	68	68	68	68	85	85	85	102	102	102
	24	51	51	51	51	51	51	51	68	68	68	85	85	85	102	102	102	102
	26	51	51	51	51	51	51	68	68	68	85	85	102	102	102	119	119	119
	28	51	51	51	51	51	68	68	68	85	85	102	102	102	119	119	119	119
	30	51	51	51	51	51	68	68	85	85	85	102	102	119	119	136	136	136
	32	51	51	51	51	68	68	68	85	85	102	102	119	119	136	136	136	136
	34	51	51	51	51	68	68	85	85	102	102	119	119	136	136	153	153	153
	36	51	51	51	51	68	68	85	85	102	102	119	119	136	136	153	153	153
	38	51	51	51	68	68	85	85	102	102	119	119	136	136	153	153	170	170
	40	51	51	51	68	68	85	85	102	119	119	136	136	153	153	170	170	170
	42	51	51	51	68	85	85	102	102	119	119	136	153	153	170	170	187	187
	44	51	51	68	68	85	85	102	119	119	136	136	153	170	170	187	187	187
	46	51	51	68	68	85	102	102	119	136	136	153	153	170	187	187	204	204
	48	51	51	68	68	85	102	102	119	136	136	153	170	170	187	204	204	204
	50	51	51	68	85	85	102	119	119	136	153	170	170	187	204	204	221	221
52	51	51	68	85	102	102	119	136	136	153	170	187	187	204	221	221	221	
54	51	51	68	85	102	102	119	136	153	153	170	187	204	204	221	238	238	
56	51	68	68	85	102	119	119	136	153	170	187	187	204	221	238	238	238	
58	51	68	85	85	102	119	136	153	153	170	187	204	221	221	238	255	255	
60	51	68	85	85	102	119	136	153	170	170	187	204	221	238	255	255	255	
62	51	68	85	102	119	119	136	153	170	187	204	221	221	238	255	272	272	
64	51	68	85	102	119	136	136	153	170	187	204	221	238	255	272	272	272	
66	51	68	85	102	119	136	153	170	187	187	204	221	238	255	272	289	289	
68	51	68	85	102	119	136	153	170	187	204	221	238	255	272	289	289	289	
70	51	68	85	102	119	136	153	170	187	204	221	238	255	272	289	306	306	
72	51	68	85	102	119	136	153	170	187	204	221	238	255	272	289	306	306	

With GT-118 glazing tape supplied (loose) for both sides: Add \$4.25 per square foot to each piece of glass.

Glass for Round Lite Kits:

to fit in kits	12"	\$175
	18"	330
	24"	440



## Insulated Tempered, Polycarbonate Glass, Glazing Tape & Accessories

Prices per Sq. FT. on this page apply to each piece of glass, rounded up to the next whole foot.

### Insulated Tempered Glass - 1" Thick

Each Piece:

1-5 Sq. Feet            \$200/EA.  
 6 or more Sq. Ft.      \$40 per Sq. FT

**With GT-118 Glazing Tape supplied both sides**  
 Add \$4.25 per Sq. FT.

Minimum height = 11"  
 Full sheet = 84" x 144"

Packaged with Lite Kit - Use glass pricing with  
 glazing tape, plus lite kit

### Polycarbonate - 1/4" Thick

Each Piece:

All Sizes                    \$65 per Sq. FT.

**With GT-118 Glazing Tape supplied both sides**  
 Add \$4.25 per Sq. FT.

Full sheet = 48" x 96"

Packaged with Lite Kit - Use glass pricing with  
 glazing tape, plus lite kit

For round Lite Kits:

to fit in	12"	\$165
	18"	370
	24"	660

### Polycarbonate - 1/2" Thick

Each Piece:

All Sizes                    \$96 per Sq. FT.

**With GT-118 Glazing Tape supplied both sides**  
 Add \$4.25 per Sq. FT.

Full Sheet = 48" x 96"

Packaged with Lite Kit (L-FRA100-SP or  
 L-GLF100-SP - for 1-3/4" door with 1/2" glass) -  
 Use glass pricing with glazing tape, plus lite kit

### Glazing Tape and Accessories

#### Closed cell PVC foam Glazing Tape

GT-116 3/8" wide x 1/16" thick \$77 /200' roll  
 GT-118 3/8" wide x 1/8" thick \$53 /100' roll  
 GT-132 3/8" wide x 1/32" thick \$76 /200' roll

#### Butyl Rubber Glazing Tape

GT-16 3/8" wide x 1/16" thick \$25 /50' roll

#### Accessories

#### Intumescent Glazing Tape

GT-9800 1/2" x 1/16" thick \$2.00/ FT.

L-Clips \$2.85/ EA.  
 Touch-up spray paint - 12 oz. cans\* \$37 / EA.  
 Colors: BPR, CAB, DKB, GPZ, MW, PTY, T, WB  
 \*Ground Shipments to Continental US only.



## Door Edges and Astragals

Door Height	Door Edges		Astragals	
	Ea.	Set	Ea.	Set
	540	541	550, 552,	551, 553,
	542	543	560, 562,	555, 561,
		545	570, 572, 574	563
	Ea.	Set	Ea.	Set
4'0"	40			
6'8"	67	95	77	111
7'0"	69	97	79	113
8'0"	79	111	90	129
9'0"	89	126	102	144
10'0"	101	140	115	159

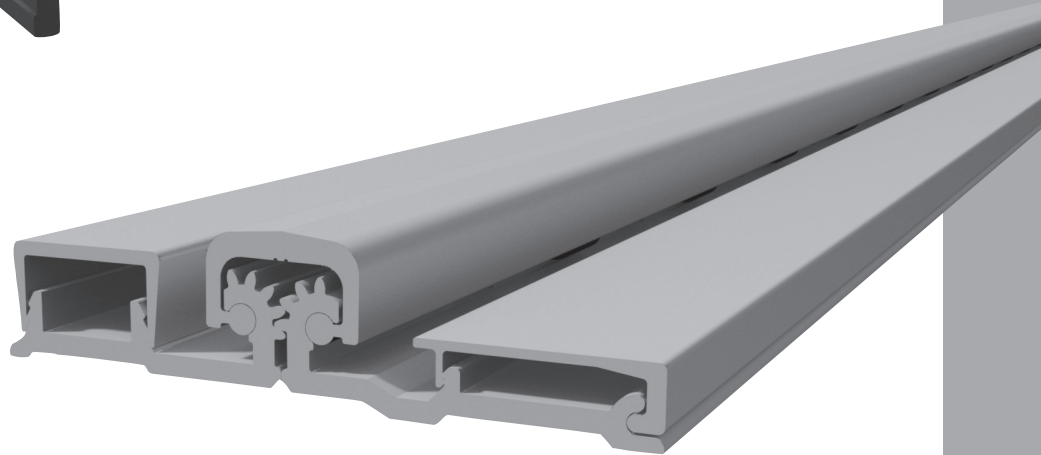
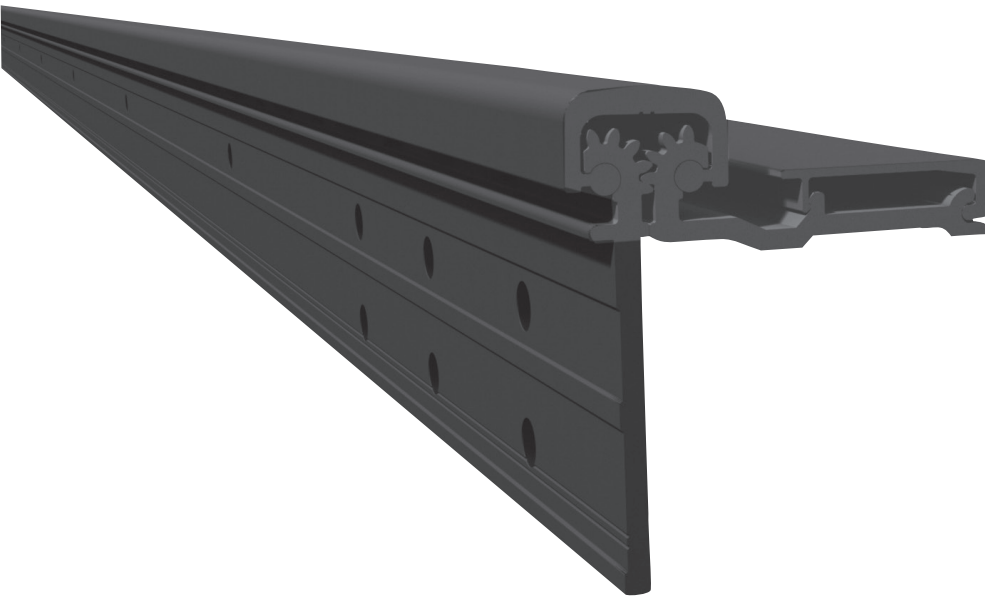
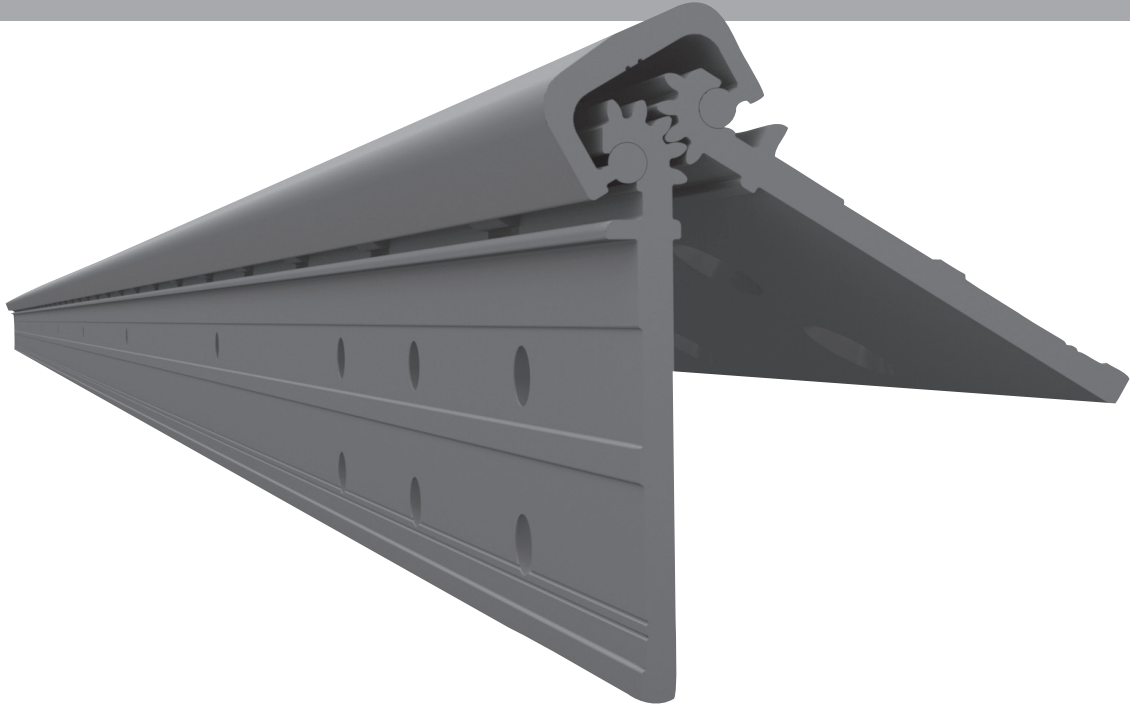
Stainless Steel, #4 Brushed Finish				
Door Height	Door Edges		Astragals	
	EA.	Set	EA.	Set
	540SS	541SS	550SS, 552SS,	551SS, 553SS,
	542SS	543SS, 545SS	560SS, 562SS,	555SS, 561SS
			570SS, 572SS, 574SS	563SS
	EA.	Set	EA.	Set
4'0"	99			
6'8"	168	235	192	278
7'0"	173	240	197	283
8'0"	198	275	225	318
9'0"	223	309	253	358
10'0"	247	344	281	398

Options:

- |  |                      |
|--|----------------------|
| Special door thicknesses - 1-3/8", 2", 2-1/4"    | Add \$20             |
| Hardware Preps: Lock faces, strikes, flush bolts | Add \$19 per cut out |
| Galvanneal                                       | Add 20%              |
| Lead lined                                       | Add \$25/ Ft.        |
| Torx Security screws #8 x 3/4"                   | Add \$1.75/ Ft.      |
| Finishes other than Tan, DKB, GPZ, BPR, CAB, PTY | Add 15%              |

9" Height	Door Aligning Astragals	
	565, 575	565SS, 575SS
	EA.	EA.
Blank	31	78
ASA	51	98
FB	51	98
T	51	98

Phone: 800-647-7874  
Fax: 800-255-7874  
www.ngp.com  
orders@ngp.com





## Continuous Geared Hinges

Bulk pack any order - 5% Discount

- Does not apply to hinge option charges
- Only applies to line items of 2 or more.

Freight prepaid and allowed \$1500 net separately or combined with other products within continental US.

Model	83"	Prices are Each			
		83" Std. Bulk Pack	85"	95"	119"
HD1100A	147	139.65 ea. 6-pack	147	188	293
HD1100A-LL	167		167	208	313
HD1100DKB	191		191	242	384
HD1100DKB-LL	211		211	262	404
HD1400A	157		157	196	293
HD1400A-LL	177		177	216	313
HD1400DKB	197		197	252	384
HD1400DKB-LL	217		217	272	404
HD1800A	157		157	196	293
HD1800A-LL	177		177	216	313
HD1800DKB	197		197	252	384
HD1800DKB-LL	217		217	272	404
HD2100A	221	209.95 ea. 4-pack	221	266	464
HD2100DKB	258		258	326	519
HD2400A	153	145.35 ea. 6-pack	153	196	293
HD2400A-LL	173		173	216	313
HD2400DKB	193		193	247	373
HD2400DKB-LL	213		213	267	393
HD2700A	166		166	210	326
HD2700A-LL	186		186	230	346
HD2700DKB	214		214	271	420
HD2700DKB-LL	234		234	291	440
HD4100A	264		264	352	536
HD4100A-LL	284		284	372	556
HD4100DKB	355		355	450	699
HD4100DKB-LL	375		375	470	719
HD4200A	264		264	352	536
HD4200DKB	355		355	450	699
HD5300A	214		214	267	431
HD5300DKB	282		282	342	583
HD5400A	221		221	273	441
HD5400DKB	282		282	342	583
HD5700A	221	209.95 ea. 4-pack	221	266	464
HD5700DKB	258		258	326	519

1/2 Wood Screws . . . . . no charge  
 Torx Screws (TEK & T.B. M.S.) . . . 30.00  
 Anti-Ligature Hospital Tip . . . . . 80.00  
 (Concealed Models Only)

Cut Hinge to Net Length. . . . . 13.50  
 Dutch Door Prep . . . . . 92.00  
 Electric Options on next page

## Continuous Geared Hinges

### Electric Options:

ETW8 . . . . .	433.00
ETW8-MOLEX . . . . .	466.00
EPT PREP . . . . .	90.00

### Replacement Electric Thru Wire Sections:

HD1100A-ETW8 . . . . .	473.00 / EA.
HD1100DKB-ETW8 . . . . .	478.00 / EA.
HD2400A-ETW8 . . . . .	473.00 / EA.
HD2400DKB-ETW8 . . . . .	478.00 / EA.
HD2700A-ETW8 . . . . .	478.00 / EA.
HD2700DKB-ETW8 . . . . .	483.00 / EA.
HD1100A-ETW8-MOLEX . . . . .	506.00 / EA.
HD1100DKB-ETW8-MOLEX . . . . .	511.00 / EA.
HD2400A-ETW8-MOLEX . . . . .	506.00 / EA.
HD2400DKB-ETW8-MOLEX . . . . .	511.00 / EA.
HD2700A-ETW8-MOLEX . . . . .	511.00 / EA.
HD2700DKB-ETW8-MOLEX . . . . .	516.00 / EA.

### Replacement Fastener Covers:

	<u>Finish</u>	<u>83"</u>	<u>85"</u>	<u>95"</u>	<u>119"</u>
Door Leaf	A	35	35	42	49
	DKB	44	44	52	60
Frame Leaf	A	36	36	43	50
	DKB	45	45	53	61

### Replacement Fasteners:

	<u>Finish</u>	<u>83", 85", 95", 119"</u>
Screw Pack Concealed Models HD1100, HD1400, HD1800, HD2400, HD2700, HD4100. Specify model and length.	A	13.50
	DKB	13.50
Screw Pack Surface Models HD2100, HD4200, HD5300, HD5400, HD5700. Specify model and length.	A	28.50
	DKB	28.50
Screw Pack 1/2 Wood Screws	A	11.00
	DKB	11.00
Screw Pack Torx (includes TEK & T.B. M.S.)	A	30.00
	DKB	30.00



NATIONAL GUARD PRODUCTS, INC.

Phone: 800-647-7874

Fax: 800-255-7874

[www.ngp.com](http://www.ngp.com)

[orders@ngp.com](mailto:orders@ngp.com)



## Stainless Steel Continuous Hinges

Freight prepaid and allowed \$1500 net separately or combined with other products within continental US.

Model	83"	85"	95"	119"
SS300	385	415	445	660
SS302	540	630	630	895
SS304	495	570	570	755
SS305	515	545	575	895
SS306	510	605	605	785
SS311	505	580	580	795
SS315	400	430	460	720

Torx Screws . . . . .	55.00
Anti-Ligature Hospital Tip . . . . .	70.00
Cut Net Length. . . . .	50.00
Dutch Door Prep . . . . .	95.00
Polished US32 (629). . . . .	450.00
Welded Tips . . . . .	70.00
ETW8 . . . . .	550.00
EPT Prep. . . . .	88.00

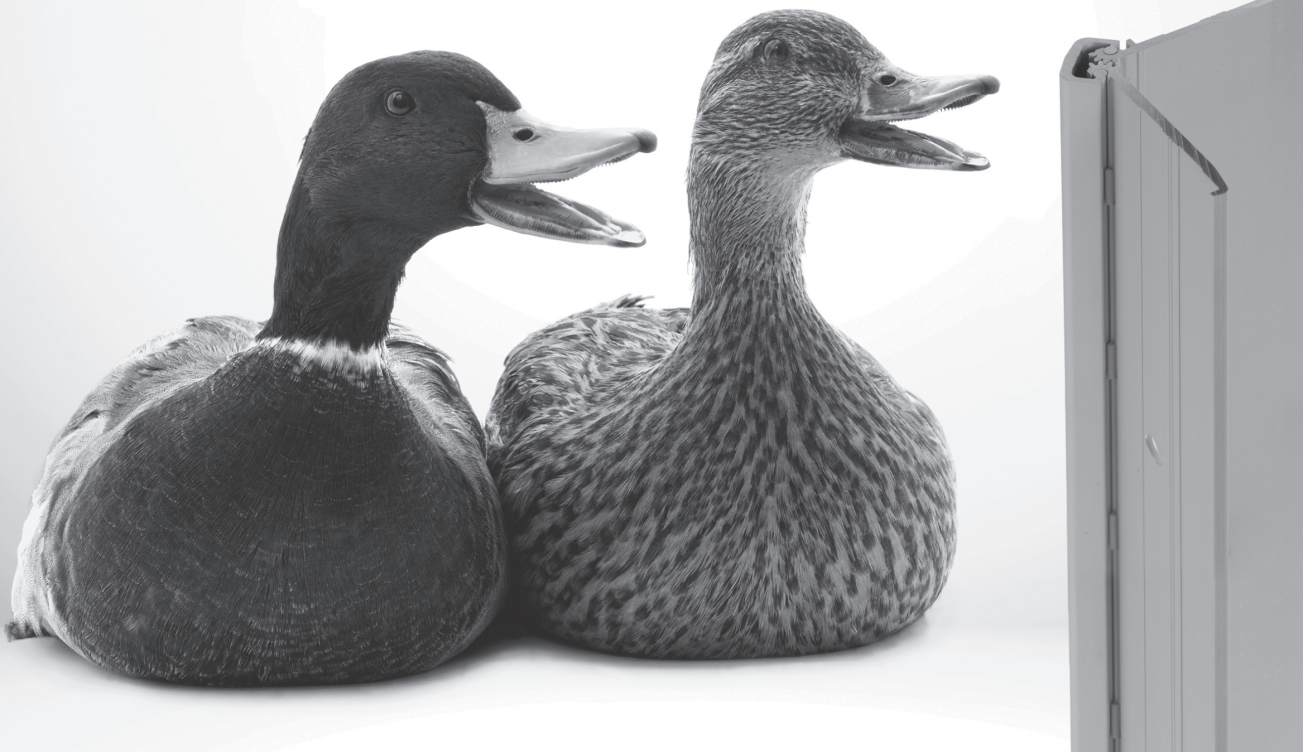
Replacement Electric  
 Thru Wire Section:  
 ETW8-SS . . . . . 460.00

	83"	95"
Replacement Fastener Cover - SS Hinge . . . . .	50	55
Replacement Screw Pack SS300 . . . . .	28	
Screw Pack Torx - SS Hinge . . . . .	55	

DUCK

DUCK

HINGE



## IT'S A TOTAL GAME CHANGER.

With our new ANSI Grade 1 Continuous Hinge, you don't have to run in circles to find hinges. Now you can order them from us, the people you've always counted on for high-quality thresholds, gasketing, lite kits, and louvers. Plus, our hinges are guaranteed for the lifetime of the opening.

Change your game, and add a hinge to your next order.



**Never used NGP?** Try us because you like our ad. Keep coming back because you like our friendly and conscientious service. We promise no surprises — unless you're a duck.  
**The products you count on, the people you trust.**

