

TRINE

ACCESS TECHNOLOGY®

INTRODUCING THE
SPECIALIZED SOLUTIONS
ELECTRIC STRIKE SERIES

BREAKING THE RULES
OF **TRADITIONAL**
ELECTRIC STRIKES



2017 CATALOG

Prices effective Apr 1, 2017
Prices Subject to change
without notice.

Table of Contents



The NEW Specialized Solutions Series

- 4100DBDL pg. 4-6
- 275VR pg. 7

SPECIALIZED SOLUTIONS ELECTRIC STRIKE SERIES



4000 Series

7

- 4100 **8-11**
- 4100LB and Options **11**
- 4200 **12-15**
- 4200CC-10B-32D **16**

4800 Series

17

- 4800F - Fire Rated **18**
- 4850 (with more spacers) **19**
- 4801 & LB Option **20**
- Low Current Draw **21**
- 4850-PoE & 4850-LCD **21**
- 4850ITL/478-ANSI-ITL **22**
- 4800 Series Accessories **23**

EN Series

24

- Features **25**
- EN400CMRP/RPCM **26**
- EN400 **27**
- EN400RP **27**
- EN430 & EN435 **28**
- EN800 **28**
- EN850 **29**
- EN950, EN960 **29**
- Latchbolt Monitoring Option **30**
- EN Series Accessories **31**

3000 Series

32

- Features/Mechanisms **33**
- 323478LC/3258458LC **34**
- 234, 234X, 334 **35**
- 478 Adjustable **36**
- 478X, 478RO/LO **37**
- 258, 258RD, 458 **38**
- ANSI Solution **39**
- Frame Preps **40-42**

Light Commercial Electric Strikes

Light Duty

00 Series **43**

- 001, 002, 003, 004 **44**
- 005, HD005, S005, 006, 007 **45**

The ANSI

01 Series

- 012 **46**
- 014 **46**

The Adjustable

2000 Series

- 2001, 2002, 2002WR, 2007 **47**
- 2009, 2012, 2678 **48**

1000 Series

- 1001-2, 1002-2 **48**

Stand Alone Latchbolt Monitoring

- Accessories Page **49**
- LBM - 1 **50**
- LBM - 2 **50**

Chimes and Accessories

- Wireless Chimes **51**
- Wireless Controllers, Transmitters & Kits **52**
- Door Alarms, Switches, & Motion Detectors **53**
- Doors Chimes, Bells, Buzzers, & Chime Kits **54**
- Low Voltage Transformers **55**
- Pushbuttons, Lighted and Unlighted **56**
- Notes **57**
- Glossary **58**
- Wiring Diagrams **59**
- Selector Chart **60-61**
- Conditions of Sale **62**
- Cross Reference Chart **63**

What's New

- Specialized Solutions: Starting in 2017:
- 4100DBDL: (Patent Pending) Split latch deadbolt solution.
- 325VR: The electric strike solution for vertical rod latches.
- 017TDC-4 & 018-4: New and updated.
- 478-ANSI-ITL: installation tool for Trine 4-7/8" electric strikes.
- All 4800 Series strikes now comes with two 1/16" spacers.
- 458 Faceplates: now aluminum or dark bronze powder coated.
- 71DB & 71LDB dark bronze powder coat pushbuttons available.

Discontinued

- S012 AND 014W electric strikes.
- 235 wireless mechanical chime.
- 458-32D and 458-10B are discontinued and replaced by 458-ALUM & 458-DKBZ.

EFFECTIVE DATE || Apr 1st, 2017

SPECIALIZED SOLUTIONS

ELECTRIC STRIKE SERIES

**DESIGNED TO PROVIDE SOLUTIONS FOR
UNIQUE HARDWARE INSTALLATIONS.**



4100DBDL

**THE DEADBOLT
SPLIT LATCH
SOLUTION**



275VR

**THE VERTICAL
ROD LATCH
SOLUTION**

COMING THIS FALL - A THIRD ELECTRIC STRIKE JOINS THE SERIES.

THE DEADBOLT SPLIT LATCH SOLUTION



THE UNCONVENTIONAL SOLUTION FOR DEADBOLT ACCESS

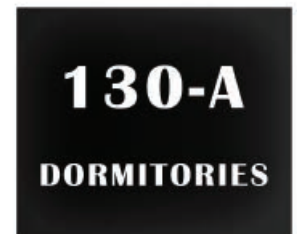
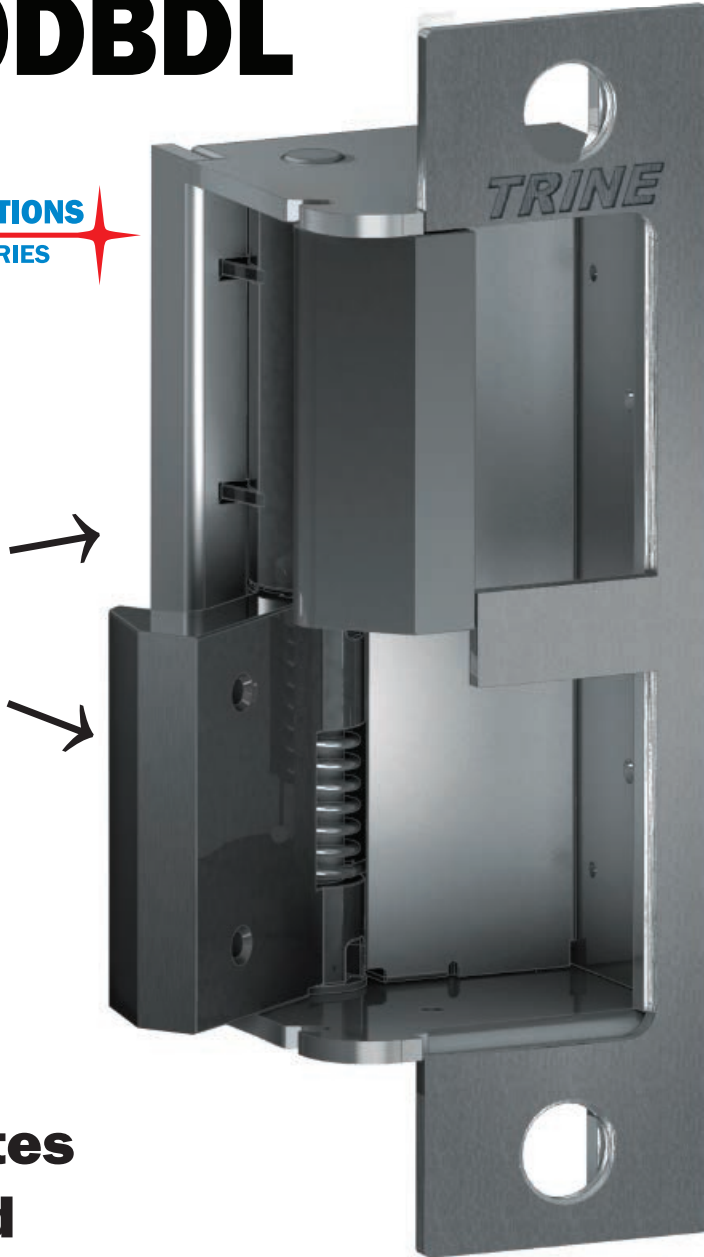
4100DBDL

Designed for deadbolt privacy, while allowing for an emergency override.

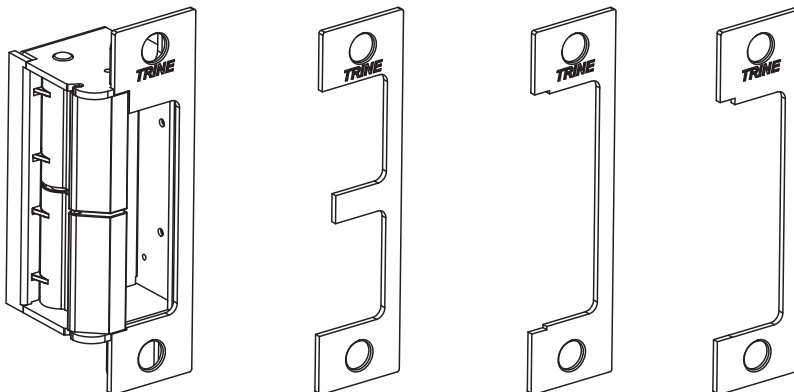
Uses include:



The only electric strike with two locking mechanisms **that function separately.**



4 Faceplates included



Key Features:

- 2 Independently operated latches.
- Use with mortise locks with dead bolts up to 1" projection.
- **Flexible:** Always be prepared!
 - 4 faceplates included
 - 12 & 24DC, 12-24 AC, Low Current Draw
 - 1 Trim Skirt (matching finish)
- **Strong:** 2,000 lbs. of Holding Force
- **Durable:** Exceeds 1,000,000 Life Cycles
- Works with the Schlage® L Series & Yale® 8700 Series **without** relocating mounting tabs.
- 1 - 11/16" backset.
- Unit is Handed →

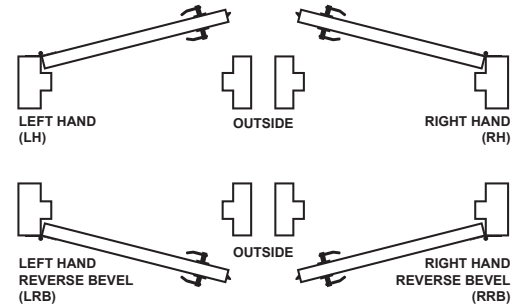


Standards:

- WH recognized 3-hour fire rated – UL10C, Fire Tests of Door Assemblies.
- BHMA Grade 1: ANSI/BHMA A156.5
- UBC 7-2, Uniform building Code.
- CAN4 S104, Standard Method for Fire Tests of Door Assemblies.
- NFPA 252 - Issue: 1999/01/01 Standard Methods of Fire Tests of Door Assemblies.
- USPT Patented #US20110241361
- ANSI/BHMA A156.31-2007



Electric Characteristics			*Per latch*	
Voltage	Current/Amps	Ohms	Duty	Sound
12DC	0.240	50	Intm./Cont.	Silent
24DC	0.114	210	Intm./Cont.	Silent
12AC @ 60hz	0.210	50	Intm.	Buzz
16AC @ 60hz	0.280	50	Intm.	Buzz
24AC @ 60hz	0.420	50	Intm.	Buzz



HANDING OF DOOR IS ALWAYS DETERMINED FROM THE OUTSIDE.

Price:

4100DBDL-32D (Satin Stainless Steel – BHMA630) **\$558⁰⁰**

The following finishes are:

- **4100DBDL-US4** (Satin Brass – BHMA606) **\$639⁰⁰**
- **4100DBDL-US10** (Satin Bronze – BHMA612)
- **4100DBDL-US10B** (Dark Bronze – BHMA613)

The following finishes are:

- **4100DBDL-32** (Polished Stainless Steel – BHMA629) **\$699⁰⁰**
- **4100DBDL-US3** (Bright Brass – BHMA605)

To order Fail-safe please see table to the right - this does not change pricing.

RS price same as above.

4100DBDL Handing and Failsafe Chart (How to order)

Both latches Fail Secure (standard action):

- 4100DBDL-LH-(finish)
- 4100DBDL-RH-(finish)

Both latches Fail Safe (locks with power):

- 4100DBDL-RS-LH-(finish)
- 4100DBDL-RS-RH-(finish)

Top latch (only) is Fail Safe (locks with power):

- 4100DBDL-RST-LH-(finish)
- 4100DBDL-RST-RH-(finish)

Bottom latch (only) is Fail Safe (locks with power):

- 4100DBDL-RSB-LH-(finish)
- 4100DBDL-RSB-RH-(finish)

THE VERTICAL ROD SOLUTION

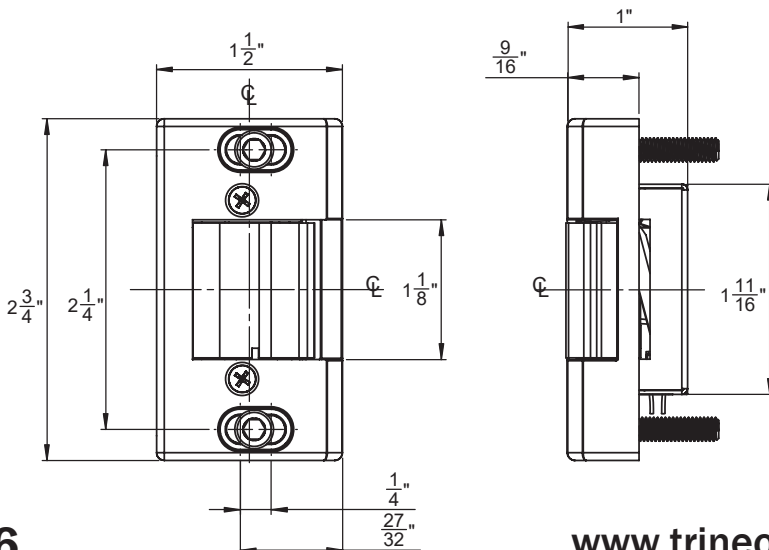
TRINE
ACCESS TECHNOLOGY

275VR

The 275 VR is the smallest electric strike solution for vertical rod latches.

- Utilizes the reliable 3000 series mechanism.
- Spacers included for cavity depth adjustability.
- Use with most vertical rods without deadlatching collar.
- LC100 included for surge and kickback protection

VOLTAGE	PULL IN/HOLD AMPS	OHMS
12VDC	.743/.298	13
12VAC	.715/.277	13
24VDC	.397/.170	13
24VAC	.378/.173	13
DUTY: Intermittent/Continuous		



SPECIALIZED SOLUTIONS ELECTRIC STRIKE SERIES

Features:

- Stainless steel faceplate
- BHMA Grade 1
- 1,500 lbs holding force
- 500,000+ life cycles
- Horizontal adjustment
- 1/16" spacer plate provided

Finishes:

275VR-ALUM
(Aluminum Powder Coat)

275VR-DKBZ
(Dark Bronze Powder Coat)

LC100 included

Price:

\$259.00

AVAILABLE
JULY 2017

www.trineonline.com

THE COMPLETE LINE OF ONE BOX SOLUTIONS

FOR CYLINDRICAL & MORTISE LOCKS

4100



4 FACEPLATES INCLUDED



3 HOUR FIRE RATED

4850

FOR RIM PANIC EXIT DEVICES

HANDLES BOTH 1/2" & 3/4" LATCHES

NOW WITH 3 SPACER PLATES



AVAILABLE
4850PoE & 4850LCD



FOR RIM PANIC EXIT DEVICES

4800F



COSTS LESS THAN COMPETITOR
NON-FIRE RATED
STRIKE

4200

FOR CYLINDRICAL & DEADLATCHES



FLEXIBLE FASCIAS • FLEXIBLE FACEPLATES



EN400CMRP

THE GATE SOLUTION
FOR CYLINDRICAL,
MORTISE, & RIM
PANIC EXIT DEVICES



OUTDOOR RATED

323478LC

FOR CYLINDRICAL LOCKSETS



THE SMALLEST ELECTRIC STRIKE IN THE WORLD

THE ONE BOX SOLUTION

FOR CYLINDRICAL AND MORTISE LOCKS

4100



DON'T MISS THE

4100RX

WHEN YOU NEED THAT EXTRA
1/4" ON RACO™ FRAMES (OR SIMILAR)

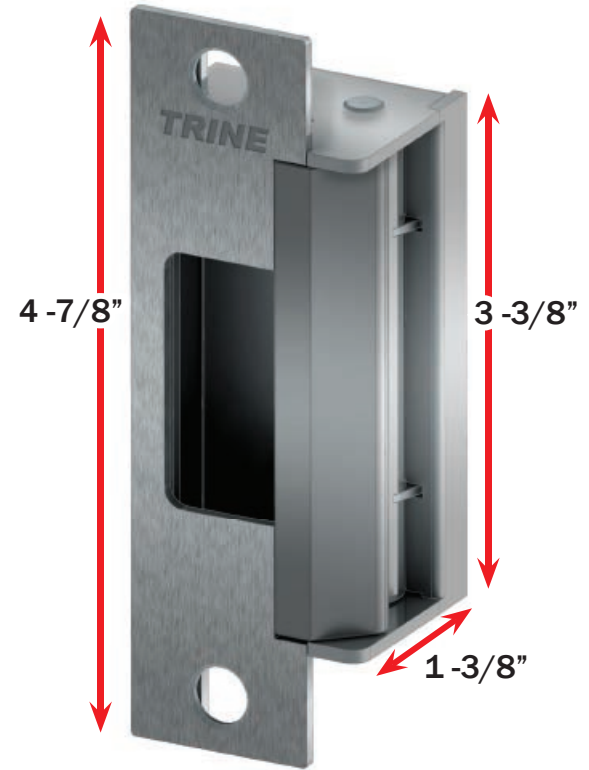
SEE PAGE 11

Key Features:

- Use with cylindrical locksets, mortise locks without dead bolts and mortise exit devices.
- 1 - 3/8" shallow backset allows the 4100 to be used in 2" fire rated frames with 1/2" sheetrock ingress.
- **Flexible:** Always be prepared!
 - 4 faceplates included
 - 12 & 24DC, 12-24 AC, Low Current Draw
 - 1 Trim Skirt (matching finish) which covers competitor cutouts
- **Strong:** 3,000 lbs. of Holding Force (factory tested)
- **Durable:** Exceeds 1,000,000 Life Cycles
- Works with the Schlage® L Series & Yale® 8700 Series **without** relocating mounting tabs.



The 4100



Standards:

- WH recognized 3-hour fire rated – UL10C, Fire Tests of Door Assemblies.
- BHMA Grade 1: ANSI/BHMA A156.5
- UBC 7-2, Uniform building Code.
- CAN4 S104, Standard Method for Fire Tests of Door Assemblies.
- NFPA 252 - Issue: 1999/01/01 Standard Methods of Fire Tests of Door Assemblies.
- USPT Patented #US20110241361
- ANSI/BHMA A156.31-2007
- ETL Listed for UL1034 Burglary Resistant Electric Locking Mechanism, Grade 1



NOTE: WH fire listing is void when using fail safe action.

**All Four
Faceplates
and Premium
Trim Skirt
included**



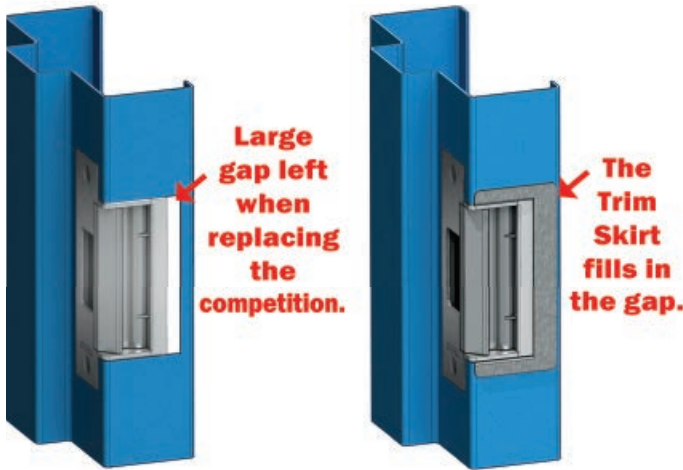
THE ONE BOX SOLUTION FOR CYLINDRICAL AND MORTISE LOCKS



Aesthetics Matter

The Premium stainless steel trim skirt cleans up the cut line.

Not worrying about a perfect cut on the face saves time and looks great. Since aesthetics matter, the premium trim skirt ALWAYS matches the finish on the faceplates and electric strike body.



Cutting Matters

1 - 3/8" Low profile backset provides ease of installation. Why cut for a deadbolt 100% of the time when they are only used 5% of the time.



Electric Characteristics

Voltage	Current/Amps	Ohms	Duty	Sound
12DC	0.240	50	Intm./Cont.	Silent
24DC	0.114	210	Intm./Cont.	Silent
12AC @ 60hz	0.210	50	Intm.	Buzz
16AC @ 60hz	0.280	50	Intm.	Buzz
24AC @ 60hz	0.420	50	Intm.	Buzz

No additional "pacs" required.

Power Matters

Low Current Draw
.240 Amp at 12DC makes it very PoE Friendly

12 & 24DC :: 12 through 24AC
All the low voltage flexibility you need.

Low current draw, under 300 mA for 12DC, solves a number of installation and network load issues.



Price:

4100-32D (Satin Stainless Steel – BHMA630) **\$499.00**

The following finishes are:

- **4100-US4** (Satin Brass – BHMA606) **\$580.00**
- **4100-US10** (Satin Bronze – BHMA612)
- **4100-US10B** (Dark Bronze – BHMA613)

The following finishes are:

- **4100-32** (Polished Stainless Steel – BHMA629) **\$648.00**
- **4100-US3** (Bright Brass – BHMA605)

For Fail-safe action (locks with power) add "RS" to the item number. EX: 4100RS-32D **RS price same as above.**

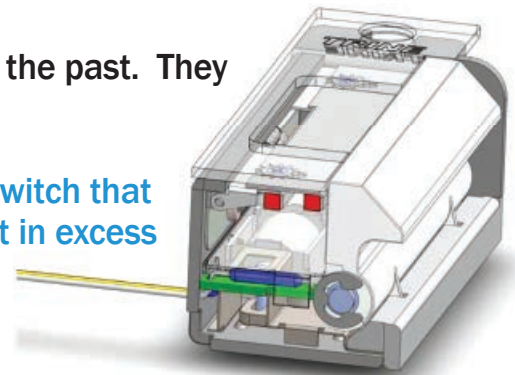
Faceplates, strike body, mounting screws, latch, and trim skirt all match the finish.

4100LB & 4100DBDL-LB

The microswitches you've used for 30 years are a thing of the past. They are affected by moisture and fail sooner than you expect.

The Trine 4100LB makes use of a sealed magnetic reed switch that is moisture and environmentally resistant with a cycle count in excess of 2 million.

Stop replacing strikes due to low cost microswitches and start using a real **Latchbolt Monitoring Solution**.



Patent Pending

4100LB CHARACTERISTICS:

CONTACT FORM:	C	CONTACT RESISTANCE STATIC:	150 MILLIOHM
CONTACT RATING:	10W	BREAKDOWN VOLTAGE:	200 VDC
SWITCHING VOLTAGE:	30V MAX AC/DC	OPERATING TEMP:	-40° - 130° C
SWITCHING CURRENT:	0.5 A	RATE:	2,000,000+ CYCLES

Price:
4100LB
add \$80.00 to the list price.

4100RX-250

- 1/4" stainless steel ramp extensions.
- Perfect for Raco® frames or similar.
- Extension acts like a trim skirt to hide the cut line pocket.



Finishes:	Price:
4100RX-250-32D (Satin Stainless Steel – BHMA630)	\$48.00
US32 (Polished Stainless – BHMA629)	\$73.00
US10B (Dark Bronze – BHMA613)	\$73.00

4100-AK: Accessories Kit

- Standard and Torx® screws
- Latch shims
- Plug-in style wire connectors
- Sealed crimp connectors

Price: \$26.00

Piezo Buzzers:

- **BZ-12:** Audible buzzer for 12DC power -- or --
- **BZ-24:** Audible buzzer for 24DC power

DC VOLTAGE ONLY

Price: \$14.00

Additional Faceplates:

Aluminum Solution

We offer 3 faceplate sizes to meet the demands of aluminum installations.

All faceplates can be used with the 4200.



With radiused corners.

CC9: 9" x 1-1/4" Faceplate.	CRD8: 7-15/16" x 1-7/16" Faceplate	CRD7: 6-7/8" x 1-1/4" Faceplate	CCRD: 4-7/8" x 1-1/4" Faceplate
\$40.00	\$30.00	\$30.00	\$25.00

Finish:

32D (Satin Stainless - BHMA630)

The following finishes are:

32 (Polished Stainless - BHMA629)
US3 (Bright Brass - BHMA605)

\$70.00 **\$60.00** **\$60.00** **\$55.00**

The following finishes are:

US4 (Satin Brass - BHMA606)
US10 (Satin Bronze - BHMA612)
US10B (Dark Bronze - BHMA613)

\$60.00 **\$50.00** **\$50.00** **\$45.00**

OUR **ONE BOX SOLUTIONS** *DEFINE FLEXIBILITY*

4200

**THE
CYLINDRICAL
& DEADLATCH
SOLUTION**



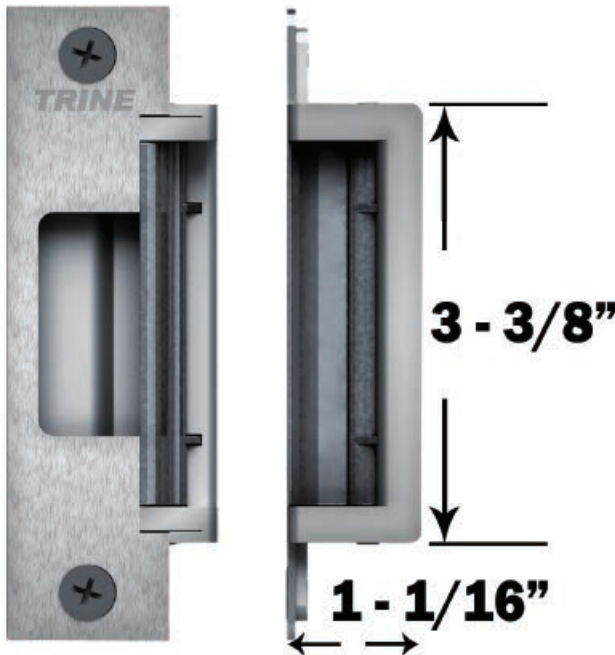
Try the 4200CC-10B-32D

Two finishes in the box and the lowest cost in the series



THE FLEXIBLE STRIKE

The 4200



Key Features:

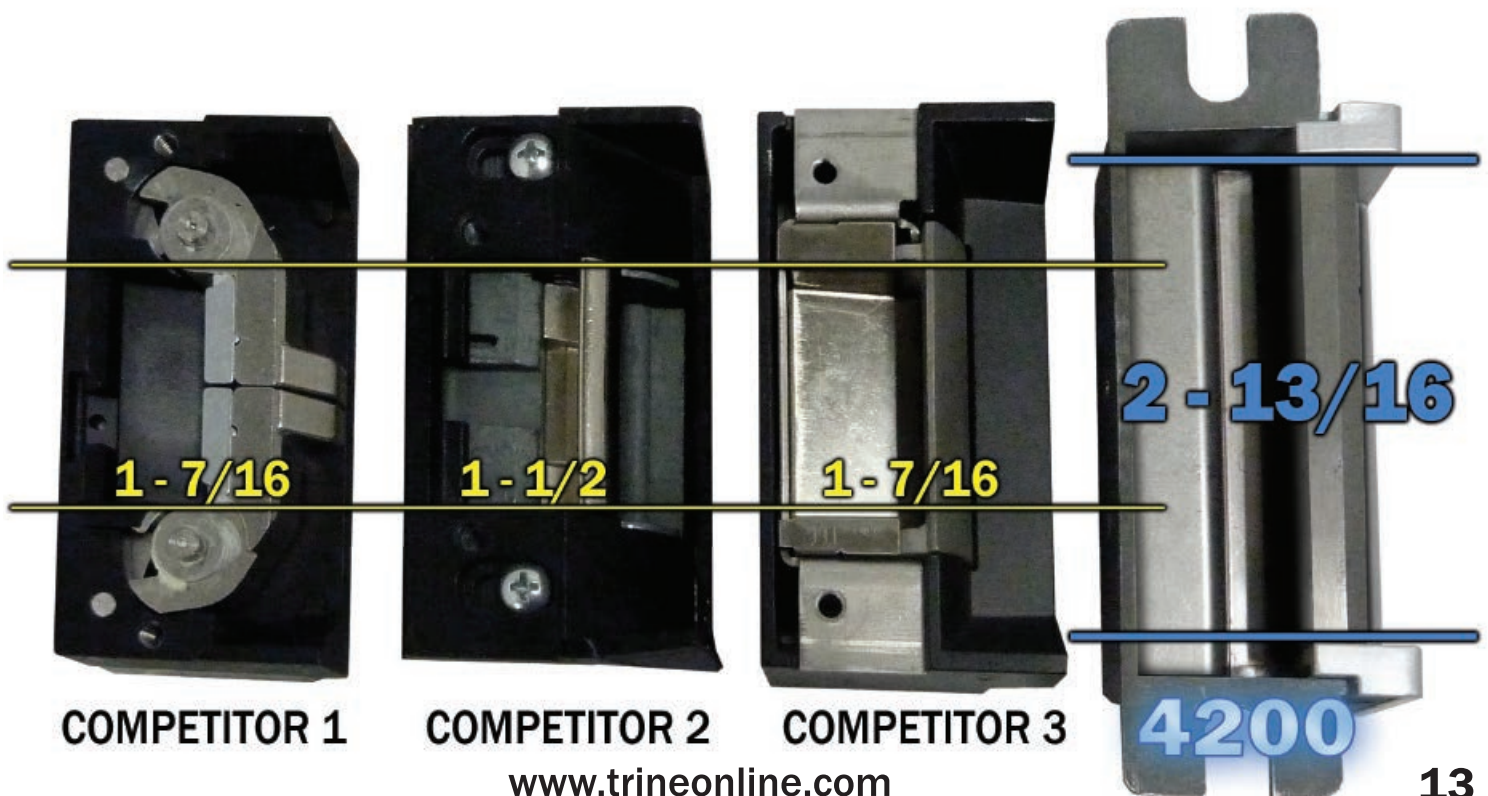
- Use with cylindrical locksets & dead latches in aluminum, metal, and wood frames. The 4200 **solves** problems auxiliary latch "pins" found on Adams Rite® locks.
- Tall Cavity **solves** door sag problems. Tallest latch in its class.
- 1 - 1/16" shallow backset **solves** frame depth problems.
- 4 faceplates included
- 12 & 24DC, 12-24 AC
- 1 Trim Skirt Included
- **Removeable Fascia:** Change colors in the field to match your frame.

Standards:

- ANSI/BHMA Grade 1 - A156.31-2007
- ETL Listed for UL1034 Burglary Resistant Electric Locking Mechanism



FLEXIBLE CAVITY



COMPETITOR 1

COMPETITOR 2

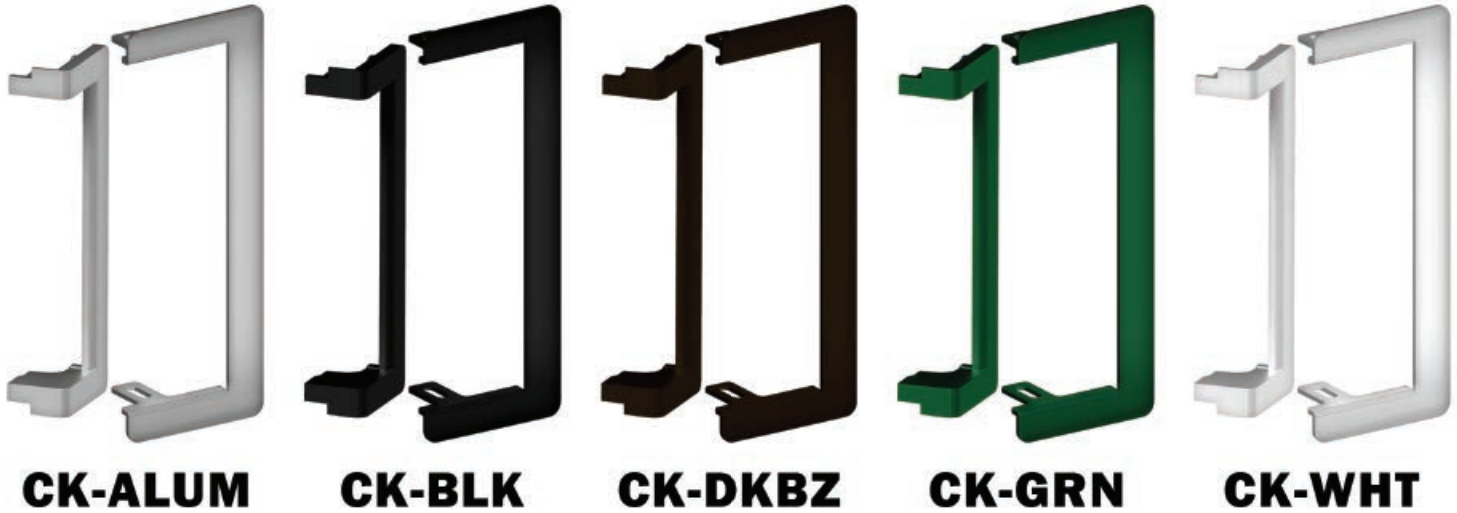
COMPETITOR 3

4200

THE ONE BOX SOLUTION FOR CYLINDRICAL AND DEADLATCHES

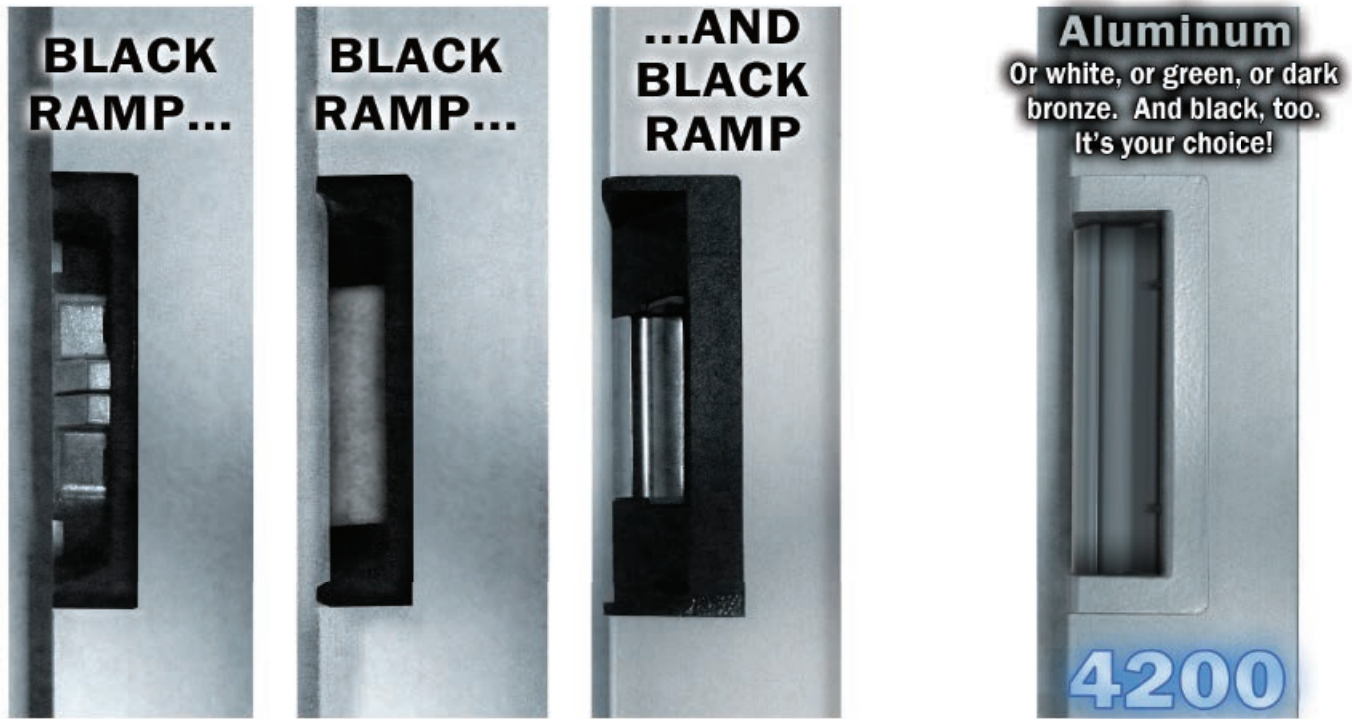


FLEXIBLE FINISH



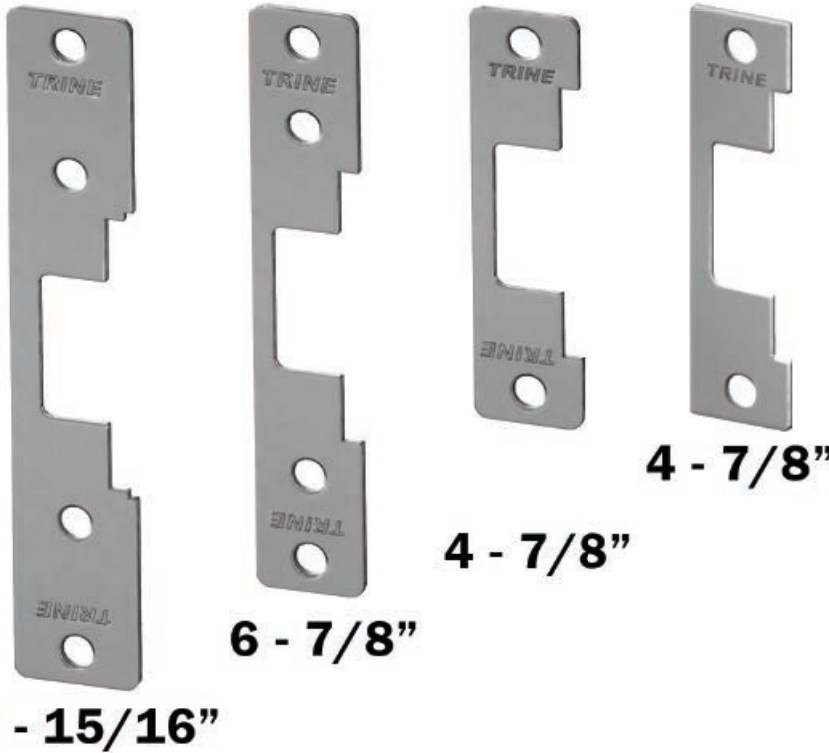
Henry Ford once said,
"you can have any color you want, so long as it's black."

And the competition agrees



CHANGE FINISH IN THE FIELD WITH OUR CK SYSTEM

FLEXIBLE FACEPLATES



**ALL 4 FACEPLATES
INCLUDED**

**AVAILABLE IN 6
FINISHES**

**THE BEST SOLUTION FOR
ALUMINUM FRAMES**

FLEXIBLE POWER

Electric Characteristics

Voltage	Current/Amps	Ohms	Duty	Sound
12DC	0.240	50	Intm./Cont.	Silent
24DC	0.114	210	Intm./Cont.	Silent
12AC @ 60hz	0.210	50	Intm.	Buzz
16AC @ 60hz	0.280	50	Intm.	Buzz
24AC @ 60hz	0.420	50	Intm.	Buzz

Power Matters

Low Current Draw
.240 Amp at 12DC makes it
very PoE Friendly

12 & 24DC :: 12 through 24AC
All the low voltage flexibility
you need.



Price:

\$199.00

- 4200-32D:** Stainless Steel Faceplates with Black Fascia – Use with the CK System ->
- 4200-ALUM:** Aluminum Faceplates & Fascia
- 4200-BLK:** Black Faceplates & Fascia
- 4200-DKBZ:** Dark Bronze Faceplates & Fascia
- 4200-GRN:** Green Faceplates & Fascia
- 4200-WHT:** White Faceplates & Fascia

Add "RS" for Fail-safe model (ex: 4200RS-32D)

CK System

- CK-ALUM:** Aluminum Fascia/Trimskirt
- CK-BLK:** Black Fascia/Trimskirt
- CK-DKBZ:** Dark Bronze Fascia/Trimskirt
- CK-GRN:** Green Fascia/Trimskirt
- CK-WHT:** White Fascia/Trimskirt

CK-PK: This pack includes 4 Fascia & Trimskirt finish (except black)

Price:

\$25.00

Price:

\$80.00

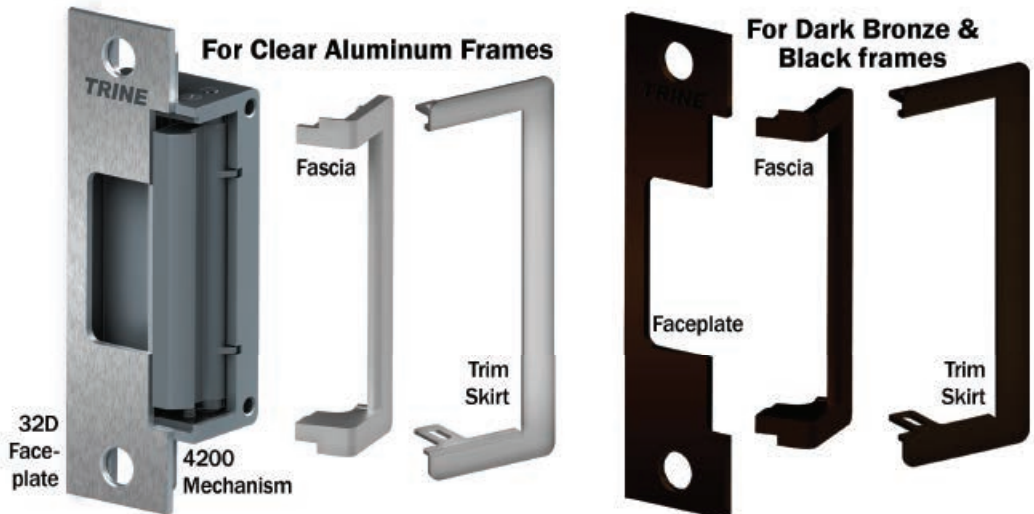
THE ONE BOX SOLUTION FOR CYLINDRICAL AND DEADLATCHES

TRINE
ACCESS TECHNOLOGY

The 4200CC-10B-32D

Key Features:

- Two finish options in one box means you are ready for light or dark frames.
- Tall Cavity solves door sag problems. Tallest latch in its class.
- Has the same electrical and mechanical characteristics as the standard 4200 strike.



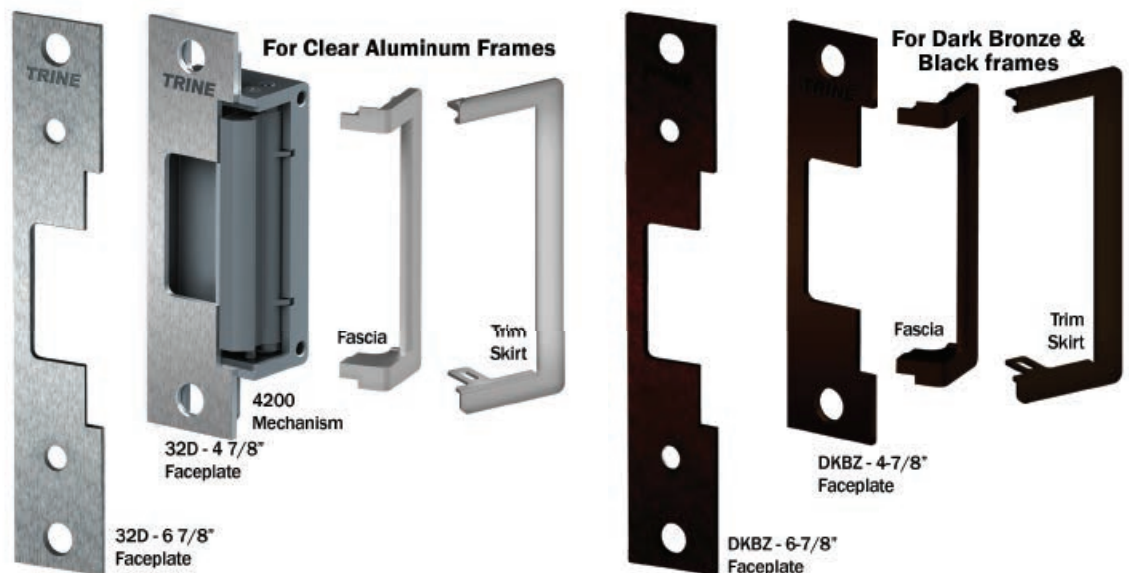
ALL ITEMS SHOWN ARE INCLUDED

Price: \$179.00

The 4200CC7-10B-32D

Key Features:

- The two most common faceplate sizes for aluminum frames plus two finish options all in one box means you are ready for whatever.
- Tall cavity solves door sag problems. Tallest latch in its class.
- Has the same electrical and mechanical characteristics as the standard 4200 strike.



ALL ITEMS SHOWN ARE INCLUDED

Price: \$199.00

4800 SERIES

THE RIM PANIC SOLUTION SERIES



The everyday
rim panic solution
is now fire rated.

New two 1/16"
spacers now make
6 different thicknesses.
(4 just wasn't enough!)

THE FIRE RATED 3/4" RIM PANIC SOLUTION



The 4800F

**FIRE RATING IS THE
EVERDAY STANDARD**

- For use with surface mounted rim exit devices with up to 1" throw. For use in new or replacement installations in wood or metal door frames and tight installs.
- Comes with Trine's Patented 4-Pin Anchoring System for strength and stability. (See page 21 for details)
- Cavity is completely open – which means the 4800 allows for an incremental depth up to a 1" throw – **Competitor back plates do not allow for this versatility.**
- Built-in electronics automatically allow 11 through 28 AC and DC Voltage input – with surge and kickback protection.
- Contains a one piece locking mechanism with one solenoid.
Less parts mean less problems.
- Fail-safe/Fail-secure field selectable. *WH fire listing is void when using fail safe action.*

Standards:

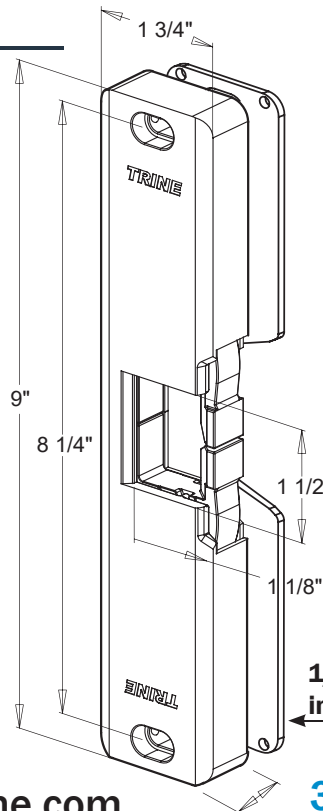
Class A, 3 Hour Single door / frame configuration
 - UL10C, Fire Tests of Door Assemblies
 - UBC 7-2, Uniform building Code
 - CAN4 S104, Standard Method for Fire Tests of Door Assemblies NFPA 252
 Issue: 1999/01/01 Standard Methods of Fire Tests of Door Assemblies

BHMA Grade 1 Electric Strike:
 + 1,500,000+ Life Cycles
 + 3,000+ lbs. Holding Force.



Electronics allow for PLUG and PLAY capability

Electric Characteristics			
Voltage	Pull In/Hold Amps	Duty	Sound
12DC	0.566/0.217	Intm./Cont.	Silent
24DC	0.253/0.099	Intm./Cont.	Silent
12AC	0.509/0.181	Intm./Cont.	Silent
16AC	0.405/0.149	Intm./Cont.	Silent
24AC	0.215/0.087	Intm./Cont.	Silent



**NO CUTTING OF
THE FRAME**

**1/8" Spacer
included**

Price:	
4800F-32D (Satin Stainless Steel – BHMA630)	\$489.00
4800F-DKBZ (Dark Bronze Powder Coated – BHMA613E)	\$514.00
4800F-US4 (Satin Brass – BHMA606)	\$555.00
4800F-US10 (Satin Bronze – BHMA612)	
4800F-US10B (Dark Bronze – BHMA613)	
4800F-32 (Polished Stainless Steel – BHMA629)	\$575.00
4800F-US3 (Bright Brass – BHMA605)	

See Page 21 for options.

The 4850

- For use with surface mounted rim exit devices with up to a 1" throw.
- Cavity is completely open – which means the 4850 allows for an incremental depth up to a 1" throw - **Competitor back plates do not allow for this versatility.**
- **NEW - two 1/16" spacers allow 6 different thicknesses.**
- Built-in electronics automatically allow 11 through 28 DC voltage input – with surge and kickback protection
- Comes with Trine's Patented 6-Pin Anchoring System for strength and stability. (See page 21 for details)
- Contains a one piece locking mechanism with one solenoid – **less parts mean less problems.**
- Fail-safe/Fail-secure field selectable.
- BHMA Grade 1 Electric Strike:
 - ✦ 1,000,000+ Life Cycles
 - ✦ 1,500+ lbs. Holding Force.



Electric Characteristics

Voltage	Pull In/Holding		Duty	Sound
	Current/Amps			
12DC	0.500/0.178		Intm./Cont.	Silent
16DC	0.385/0.131		Intm./Cont.	Silent
24DC	0.255/0.084		Intm./Cont.	Silent

Secure your install with our patented 6-pin anchoring system.



Fits tight installs, like glass.



Price:

4850-32D (Satin Stainless Steel – BHMA630) **\$495⁰⁰**

4850-DKBZ (Dark Bronze Powder Coated – BHMA613E) **\$525⁰⁰**

4850-US4 (Satin Brass – BHMA606)
4850-US10 (Satin Bronze – BHMA612) **\$562⁰⁰**
4850-US10B (Dark Bronze – BHMA613)

4850-32 (Polished Stainless Steel – BHMA629)
4850-US3 (Bright Brass – BHMA605) **\$575⁰⁰**

See Page 21 for options.

3 Spacers included, 6 Thicknesses created, 1 Box solution provided.

THE 'BOLT' STRIKE SOLUTION THE LATCHBOLT MONITORING SOLUTION



4801 - "Bolt" Strike

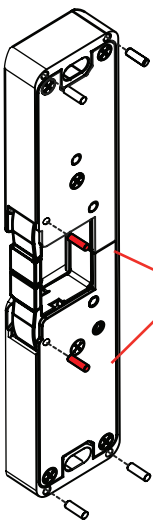
- For use with the Yale Squarebolt® or Corbin Russwin Securebolt™ in new or replacement installations with wood or metal door frames.
- Use with surface mounted rim device with up to 1" throw.
- Cavity Opening -
Height: 1 17/32"
Width: 1 5/32"
- 6-Pin Anchor system provided to handle the toughest installations.
- Electronics and BHMA rating same as the 4800F - see facing page.



Latchbolt Monitoring (LB Option)



- IR optical sensor
- Single pole, double throw, form "C" Relay, rated at 1-amp at 12-24 AC-DC
- N/O and N/C relay contacts
- Module power source
- 12-24 DC
- Current consumption is:
12v: standby 12.7ma
activate 22.8ma
24v: standby 19.4ma
activate 34.4ma
- All other features are the same as the base model.



***Must Install
2 middle
pins on the
4801/4801LB**

Price:

4801-32D (Satin Stainless Steel – BHMA630)	\$520.00
4801-DKBZ (Dark Bronze Powder Coated – BHMA613E)	\$545.00
4801-US4 (Satin Brass – BHMA606)	\$585.00
4801-US10 (Satin Bronze – BHMA612)	
4801-US10B (Dark Bronze – BHMA613)	
4801-32 (Polished Stainless Steel – BHMA629)	\$599.00
4801-US3 (Bright Brass – BHMA605)	

Price:

Add "LB" to any 4800 series electric strike

**add
\$99.00
to the price of
the base unit.**

Example:

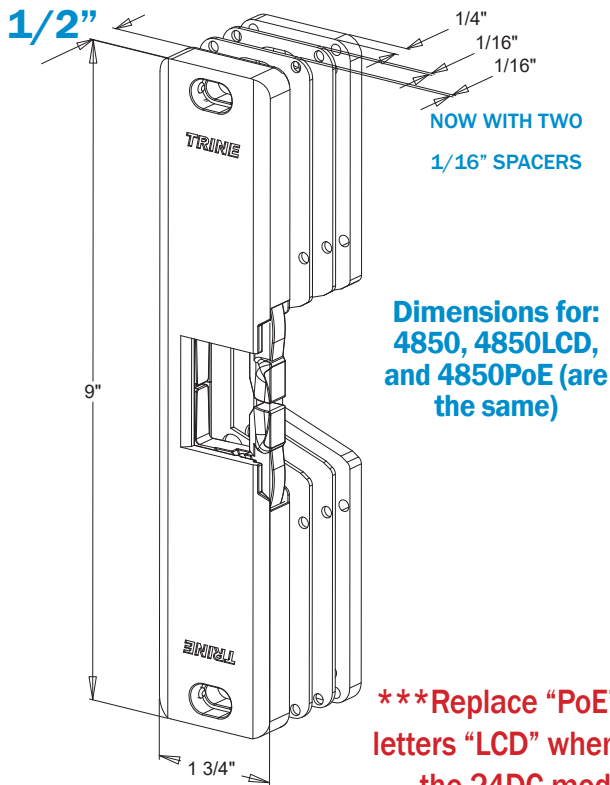
- 4800FLB-32D
- 4850LB-10B
- 4801LB-32

The 4850PoE & LCD

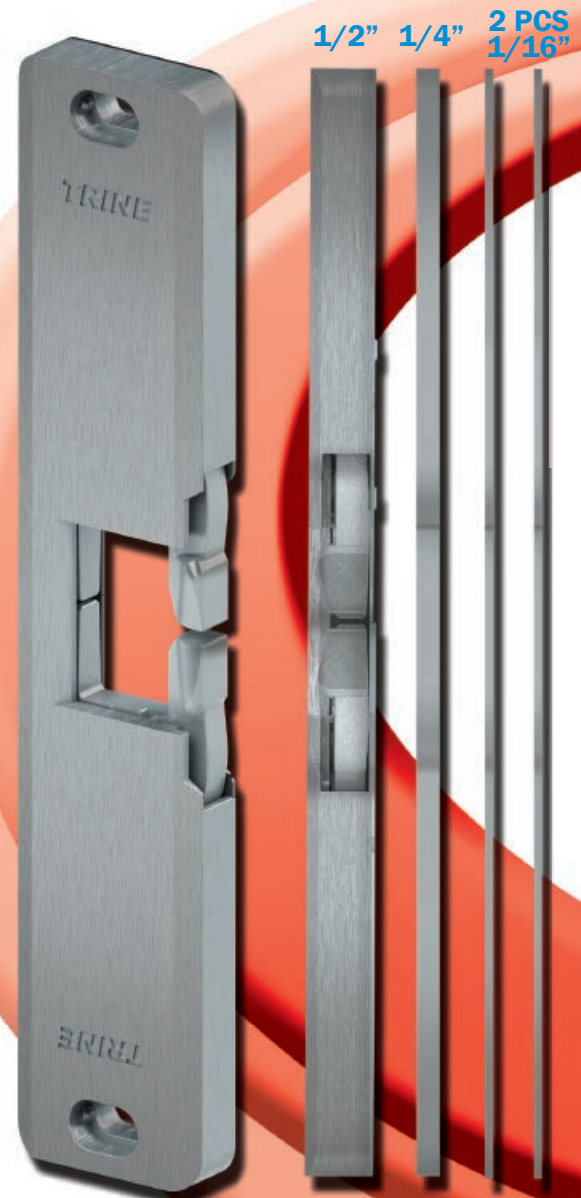
Low Current Draw means smaller or no additional power supply is required for most installations.

Electric Characteristics

Item	Voltage	Amps	Watts	Duty	Sound
4850PoE	12DC	0.260	3.12	Intm./Cont.	Silent
4850LCD	24DC	0.135	3.24	Intm./Cont.	Silent
Other surface mounted strikes start at:				Don't Forget Amperage Drop! Compensate with a Low Current Draw Strike.	
	12DC	0.450	5.40		
	24DC	0.250	6.00		



Replace "PoE" with the letters "LCD" when ordering the 24DC model



Price:	
4850PoE-32D (Satin Stainless Steel – BHMA630)	\$495.00
4850PoE-DKBZ (Dark Bronze Powder Coated – BHMA613E)	\$525.00
4850PoE-US4 (Satin Brass – BHMA606)	\$562.00
4850PoE-US10 (Satin Bronze – BHMA612)	
4850PoE-US10B (Dark Bronze – BHMA613)	
4850PoE-32 (Polished Stainless Steel – BHMA629)	\$575.00
4850PoE-US3 (Bright Brass – BHMA605)	

THE INSTALLATION SOLUTION FOR THE TRINE STRIKES

TRINE
ACCESS TECHNOLOGY.

4850-ITL

“Feel” the door work with the strike
on the frame... then drill.

- 4850-ITL installation tool has magnets installed which allows it to attach to steel frames, so you can:
 - Adjust and center the strike before ever drilling a hole eliminating any mistakes.
 - Increase your installation speed on every job.
- 1/4” Spacer included, so the tool becomes 3/4” thick, and is also magnetized. (screws on side anchor the spacer to the tool)
- Included custom center punch makes precise marks on the frame for drilling. Marks all anchor pin holes, mounting screws, power, and optional LB sensor.
- Patented

Price:
4850-ITL \$199.00

You Tube

To really see the
POWER of the 4850-ITL
watch our video...

Search “4850ITL” on Youtube
or go to:
trineonline.com/4850itl.php



**Custom
Center
Punch**

WORKS WITH
THE 4850,
4850POE/LCD,
AND 4800F

478-ANSI-ITL

A comprehensive installation tool for our
Premium 4-7/8” ANSI electric strikes

- The 478-ANSI-ITL installation tool was designed to allow you to easily install these popular 4-7/8” electric strikes:
 - 4100
 - 4100DBDL
 - EN400
 - 4200
 - 478
 - 478X-375
- Screw directly into the pre-existing tabs and mark.
- Carbide tip scribe included
- Adjustability allows for use with Timely®/Redi®/Raco® style frames.

Price: **\$55.00**

478-ANSI-ITL

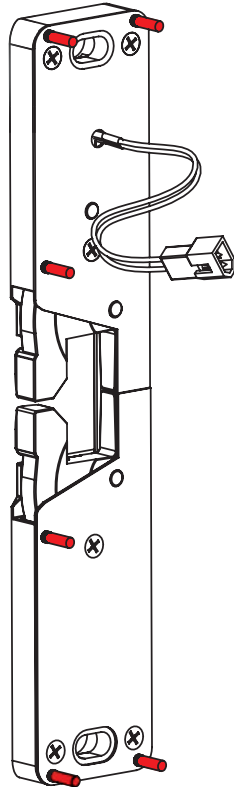
AVAILABLE JUNE 2017



www.trineonline.com

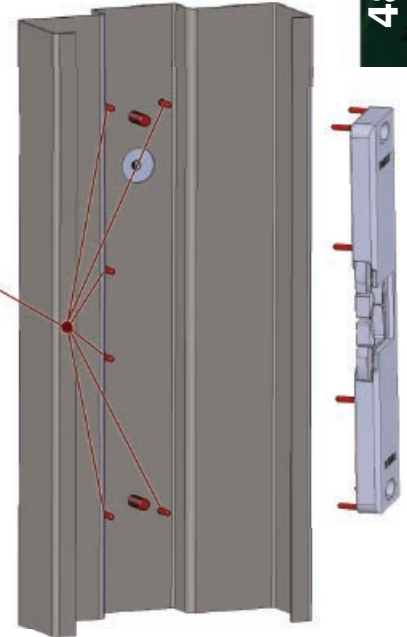
PATENTED ANCHORING SYSTEM

- Included in every 4800 series strike.
- Prevents strike from shifting on the frame for the most secure installation.
- Two center pins suggested for installs in high traffic locations.
- Check out our new Installation tool, the 4850ITL on page 22.



• The Anchor System provides six additional points of contact for the toughest installations.

• This brings the 4850 to a total 8 points of connection between the frame and strike for maximum strength.



THE CONFIGURATION IS YOUR CHOICE

4800 Series Accessories

MWH-5

REMOVABLE MULLION WIRE HARNESS FOR 4800 SERIES ELECTRIC STRIKES

Contains:

- (1) 5' Wire for mullion with male/female connectors.
- (1) Male connector & (1) Female connector.
- (1) Mullion cap, & (1) Wire adhesive.
- (4) Wire caps
- (1) Wire tie

4850-AK: ACCESSORIES KIT

Contains:

- (1) Fail safe plunger with spring & (1) Fail safe cam.
- (6) Anchoring pins.
- (1) Wire connector, (2) Wire caps, & (2) Mounting screws.

4800-AK: ACCESSORIES KIT

Contains:

- (1) Fail safe plunger with spring.
- (6) Anchoring pins.
- (1) Wire connector, (2) Wire caps, & (2) Mounting screws.

4800-SS: TWO 1/16" SPACER PLATES IN 32D

4800-SS-DKBZ: TWO 1/16" SPACER IN DARK BRONZE 613E

Fits all 4800 Series Electric Strikes

4850-SS: 1/4" SPACER PLATE IN 32D

4850-SS-DKBZ: 1/4" SPACER IN DARK BRONZE 613E

Fits all 4800 Series Electric Strikes

Price:

\$20.00

\$25.00

\$25.00

\$25.00

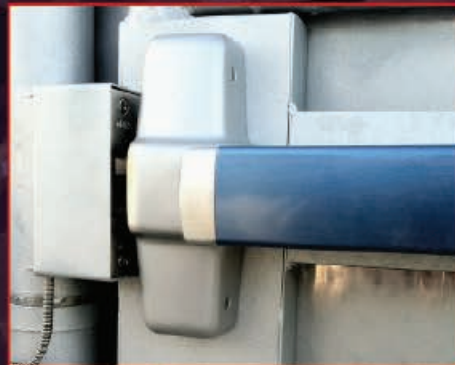
\$34.00

\$40.00

\$49.00

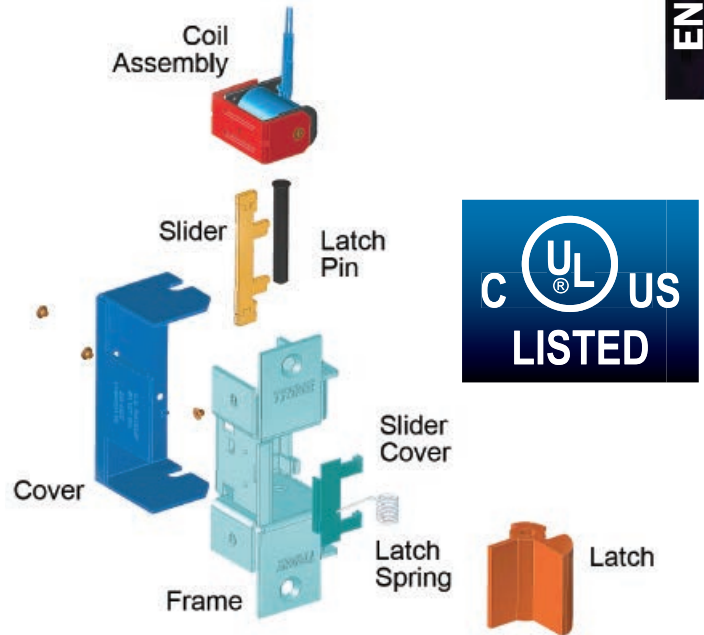
EN SERIES

THE OUTDOOR SOLUTION FOR
GATES AND MORE.



- Contains **ONLY 8** total parts.
- Only **1** moving part in the locking mechanism.
- All stainless steel construction.

- ✦ **Superior Strength** - 2,000+ lbs - (UL) tested.
- ✦ **Superior Life** - 1,000,000+ cycles.
- ✦ **Superior Application** - (UL) Outdoor rating allows the strike to be used where the competition can not.



Key Features

- Continuous Duty runs very cool (DC only)
- Durability of 1,000,000+ life cycles
- A holding force of 2,000+ lbs – (UL) Tested!
- **Fail-secure/Fail-safe is field reversible on DC units (except on 430 & 435 models)***
- Left and Right handing is field reversible (except the offset 430 & 435 models)*
- Units install flush with face of the frame for a clean look.
- Low Current Draw (DC Models*)
Voltage & Amp draw is the same across all EN Models



Wire Lead Color Codes

Voltage	Wire Colors
12AC	1 - Blue, 1 - Orange/White
24AC	1 - Blue, 1 - Black/White
12DC	2 - Orange/White
24DC	2 - Black/White

Electric Characteristics

Voltage	Amps	Ohms	Duty	Sound
12AC	0.70	4.5	Intm.	Buzz
24AC	0.37	18.0	Intm.	Buzz
12DC *	0.28	43.0	Intm./Cont.	Silent
24DC *	0.15	164.0	Intm./Cont.	Silent

Standards

- (UL) Listed 10C - Fire-rated
- Class A, 3-hour, single swing door (except on 400RP, 800 & 850 models)
- (UL) Listed 1034 -
Indoor/Outdoor Burglary Resistant
- BHMA 156.31 2001, Grade 1
- NYC MEA 79-01-E

Ordering an EN strike

Please provide us with the following information to ensure you receive the strike you need.

Model # -- Voltage -- Finish -- Handing
example: 400 12DC 32D RH

*Fail Safe Request: Please add "RS" to order
example: 400RS-12DC-32D-RH

Add \$15.00 to list price of base model.

THE OUTDOOR SOLUTION
FOR CYLINDRICAL, MORTISE, & RIM PANIC EXIT DEVICES



EN400CMRP

THE ONE BOX SOLUTION

THE ONLY ELECTRIC STRIKE SOLUTION ON THE MARKET THAT CAN HANDLE

CYLINDRICAL, MORTISE, DEADLATCHES, AND RIM PANICS

The Flexible 400CMRP Includes:

- A completed strike in the box (see bottom of page for details).
- An additional strike latch to handle mortise, cylindrical, and rim panic strikes.
- The EN400-Gatebox - Mount the strike anywhere.
- The EN-24DC-CA - change voltage in the field.
- Fail safe/Fail secure field reversible.
- Always Low Current Draw



EN400-Gatebox

Install the EN400CMRP anywhere on the frame or post.

Steel gatebox is unfinished.



RP Latch

Price:		
400CMRP-32D (Satin Stainless Steel – BHMA630) - unit comes as a 400-12DC-32D-RH premade unit; RP (rim panic) latch and 24DC coil are in the box.		\$515^{.00}
400RPCM-32D (Satin Stainless Steel – BHMA630) - unit comes as a 400RP-24DC-32D-RH premade unit; CM (cylindrical/mortise) latch and 12DC coil are in the box.		\$515^{.00}

EN400



- Use with Cylindrical and Mortise Locks.
- Perfect for exterior doors and gates.
- Latch Shim Kit provided for horizontal cavity adjustment on the EN400.
- Field reversible handing – remember to pick a specific hand when ordering to save time.

Price:

400-32D

(Satin Stainless Steel – BHMA630)

\$420.00

The following finishes are:

- **400-US3** (Bright Brass – BHMA605)
- **400-US4** (Satin Brass – BHMA606)
- **400-US10** (Satin Bronze – BHMA612)
- **400-US10B** (Dark Bronze – BHMA613)
- **400-32** (Polished Stainless – BHMA629)

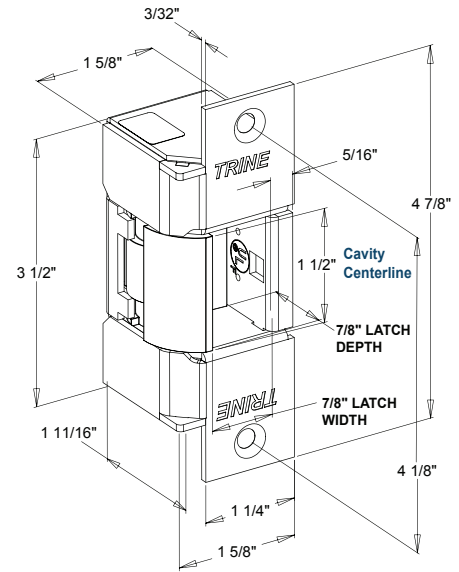
\$475.00

EN400-Gatebox
(Steel Gatebox, unfinished)

\$40.00

EN400-Gatebox-AL
(Aluminum Gatebox)

\$65.00



EN400RP



- Use with rim panic devices
- Perfect for exterior doors and gates. Use the EN400RP with item # EN400-GATEBOX and securely mount the strike anywhere on the frame.
- Field reversible handing – remember to pick a specific hand when ordering to save time.
- The Outdoor Rim Panic Solution

Price:

400RP-32D

(Satin Stainless Steel – BHMA630)

\$420.00

The following finishes are:

- **400RP-US3** (Bright Brass – BHMA605)
- **400RP-US4** (Satin Brass – BHMA606)
- **400RP-US10** (Satin Bronze – BHMA612)
- **400RP-US10B** (Dark Bronze – BHMA613)
- **400RP-32** (Polished Stainless – BHMA629)

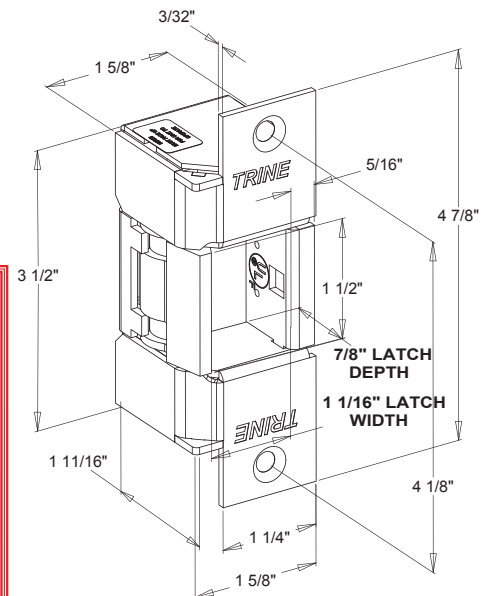
\$475.00

EN400-Gatebox
(Steel Gatebox, unfinished)

\$40.00

EN400-Gatebox-AL
(Aluminum Gatebox)

\$65.00



The Outdoor Electric Strike Solutions

EN Series



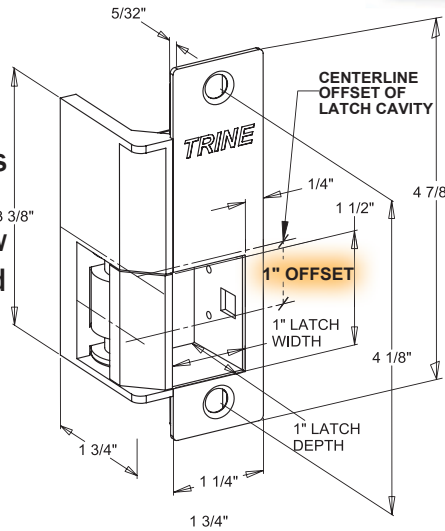
EN430 - CAVITY CENTERLINE OFFSET 1"



For new or replacement installations in metal jambs. Use with mortise lock latchbolts with up to 7/8" throw without relocating centerline. Based on 1/8" door gap.

Latch Shim Kit provided for horizontal cavity adjustment.

Designed to work with Schlage L Series, Sargent 7700, 8100, & Yale 8700



Price:
430-32D **\$440.00**
(Satin Stainless Steel - BHMA630)

The following finishes are:
\$480.00

- 430-US3 (Bright Brass - BHMA605)
- 430-US4 (Satin Brass - BHMA606)
- 430-US10 (Satin Bronze - BHMA612)
- 430-US10B (Dark Bronze - BHMA640)
- 430-32 (Polished Stainless - BHMA629)

The EN430 is handed, please specify LH or RH

EN435 - CAVITY CENTERLINE OFFSET 3/4"

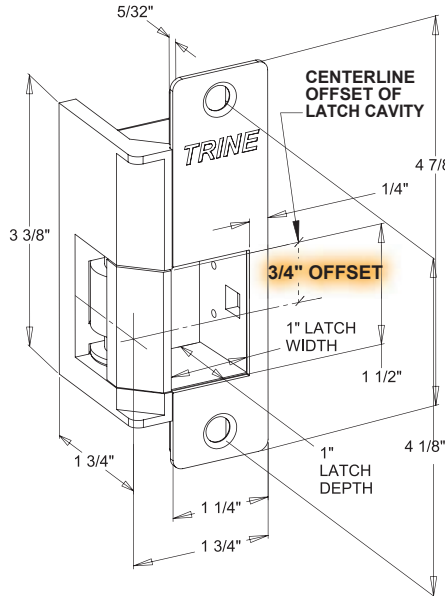


For new or replacement installations in metal jambs. Use with mortise lock latchbolts with up to 7/8" throw without relocating centerline. Based on 1/8" door gap.

Latch Shim Kit provided for horizontal cavity adjustment.

Designed to work with Arrow, Falcon, Sargent 7800, 8200, 9200, Yale 8800

Factory tested by Best® to work with the 45H Series.



Price:
435-32D **\$440.00**
(Satin Stainless Steel - BHMA630)

The following finishes are:
\$480.00

- 435-US3 (Bright Brass - BHMA605)
- 435-US4 (Satin Brass - BHMA606)
- 435-US10 (Satin Bronze - BHMA612)
- 435-US10B (Dark Bronze - BHMA613)
- 435-32 (Polished Stainless - BHMA629)

The EN435 is handed, please specify LH or RH

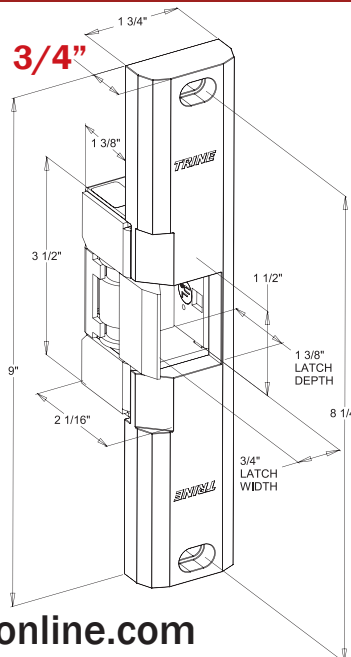
EN800 - GREAT FOR OUTDOOR GATES



For new or replacement installations in wood or metal single door jambs. Use with surface mounted rim exit devices with up to 1" throw. 3/4" thick face plate.

(Not UL 10C Listed)

Works with Rim Panic Exit Devices



Price:
800-32D **\$465.00**
(Satin Stainless Steel - BHMA630)

The following finishes are:
\$500.00

- 800-US3 (Bright Brass - BHMA605)
- 800-US4 (Satin Brass - BHMA606)
- 800-US10 (Satin Bronze - BHMA612)
- 800-US10B (Dark Bronze - BHMA613)
- 800-32 (Polished Stainless - BHMA629)

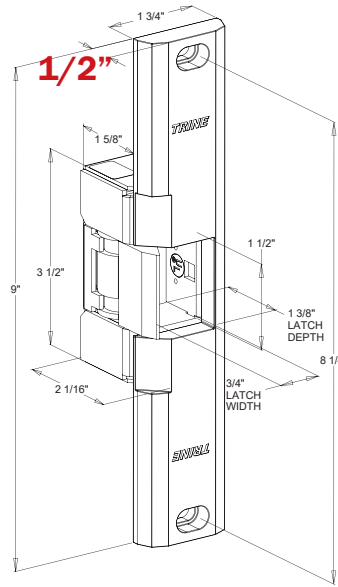


EN850 – GREAT FOR OUTDOOR GATES

For new or replacement installations in wood or metal single door jambs. Use with surface mounted rim exit devices with up to 1" throw. **1/2" thick face plate.**

(Not UL 10C Listed)

Works with Rim Panic Exit Devices.



Price:
850-32D **\$480.00**
(Satin Stainless Steel – BHMA630)

The following finishes are:
\$530.00

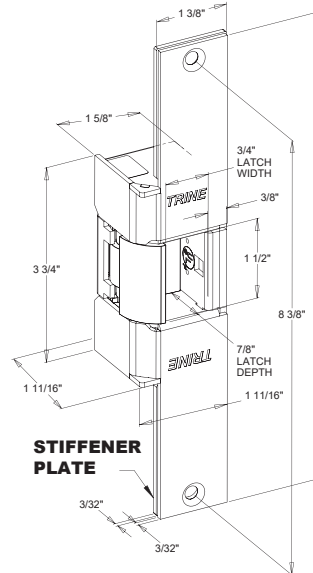
- **850-US3**
(Bright Brass – BHMA605)
- **850-US4**
(Satin Brass – BHMA606)
- **850-US10**
(Satin Bronze – BHMA612)
- **850-US10B**
(Dark Bronze – BHMA613)
- **850-32**
(Polished Stainless – BHMA629)



EN950 – FITS FOLGER ADAMS® 310-2 CUTOUT

For new or replacement installations in metal or wood jambs. Use with mortise exit devices, mortise locks without dead bolts and cylindrical locksets with up to 7/8" throw. Based on 1/8" door gap.

Latch Shim Kit provided for horizontal cavity adjustment.



Price:
950-32D **\$475.00**
(Satin Stainless Steel – BHMA630)

The following finishes are:
\$525.00

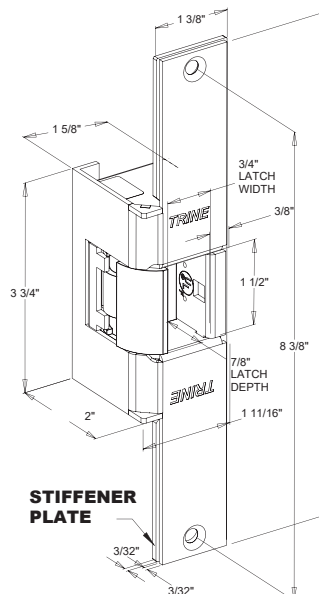
- **950-US3**
(Bright Brass – BHMA605)
- **950-US4**
(Satin Brass – BHMA606)
- **950-US10**
(Satin Bronze – BHMA612)
- **950-US10B**
(Dark Bronze – BHMA613)
- **950-32**
(Polished Stainless – BHMA629)



EN960 – FITS FOLGER ADAMS® 310-2 3/4" CUTOUT

For new or replacement installations in metal or wood jambs. Use with mortise exit devices, mortise locks without dead bolts and cylindrical locksets with up to 7/8" throw. Based on 1/8" door gap.

Latch Shim Kit provided for horizontal cavity adjustment.



Price:
960-32D **\$510.00**
(Satin Stainless Steel – BHMA630)

The following finishes are:
\$550.00

- **960-US3**
(Bright Brass – BHMA605)
- **960-US4**
(Satin Brass – BHMA606)
- **960-US10**
(Satin Bronze – BHMA612)
- **960-US10B**
(Dark Bronze – BHMA613)
- **960-32**
(Polished Stainless – BHMA629)

EN Latchbolt Monitoring



EN-LB – LATCHBOLT MONITORING

- Remote central station notification
- Local alarm monitoring relay
- Triggering video surveillance/recording systems
- Active relay for trap door systems

IR optical sensor – Adjustable sensitivity with simple screw adjustment – Single pole, double throw, Form “C” relay, rated at 1-amp at 12-24 AC/DC – N/O and N/C relay contacts – Module power source rating of 12-24VDC

Current consumption is:
0.034 amps at 12VDC & 0.045 amps at 24VDC

FOR 430 & 435 ONLY

Price:

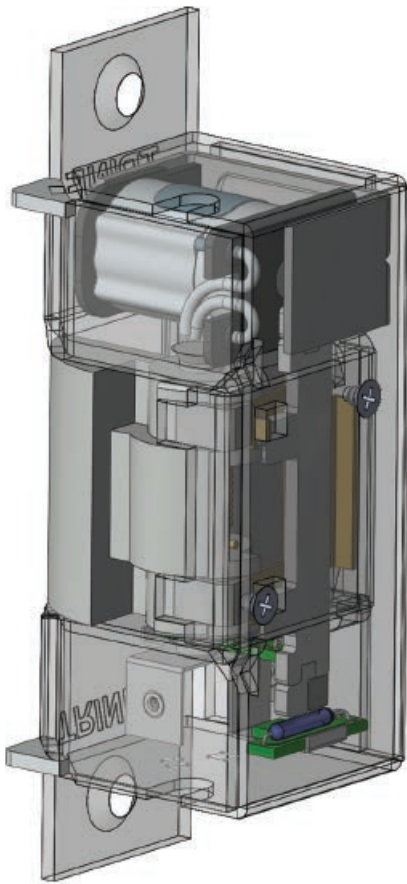
Add “LB” to a 430 or 435 electric strike

Examples:

- 430LB-12DC-32D

add \$95.00

to the price of the base unit.



Patent Pending

The NEW LBSM for the 400, 950, 960

- Latchbolt monitoring utilizes a sealed magnetic reed switch and monitors if the lockset latch is engaged with the strike.
- Strike mechanism monitoring detects whether the strike is in the locked or unlocked position

LBM CHARACTERISTICS:

CONTACT FORM:	C
CONTACT RATING:	10W
SWITCHING VOLTAGE:	30V MAX AC/DC
SWITCHING CURRENT:	0.5 A
CONTACT RESISTANCE	
STATIC:	150 MILLIOHM
BREAKDOWN VOLTAGE:	200 VDC
OPERATING TEMP:	-40° - 130° C
RATE:	2,000,000+ CYCLES

USE WITH A GATEBOX FOR ADDED FLEXIBILITY



Price:

Add “LBSM” to model 400, 950, or 960

Example:

- 400LBSM-12DC-32D

add \$99.00

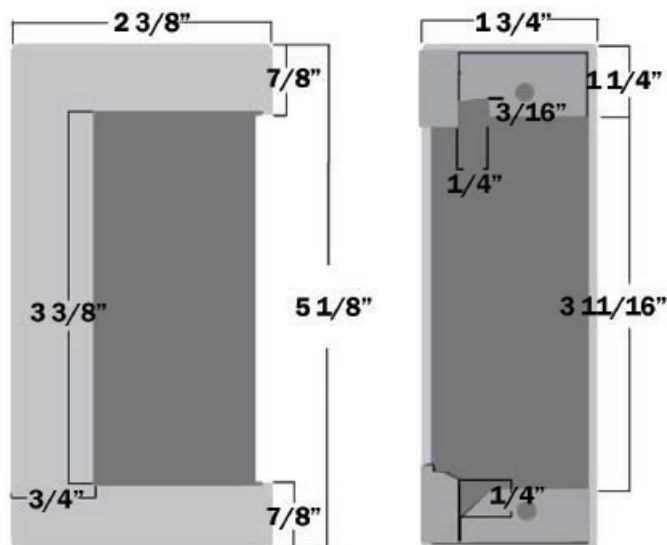
to the price of the base unit.

TOUGH-AS-NAILS-GO-ANYWHERE-EN-SERIES

has found a latchbolt monitor that can follow it outdoors and into the elements.

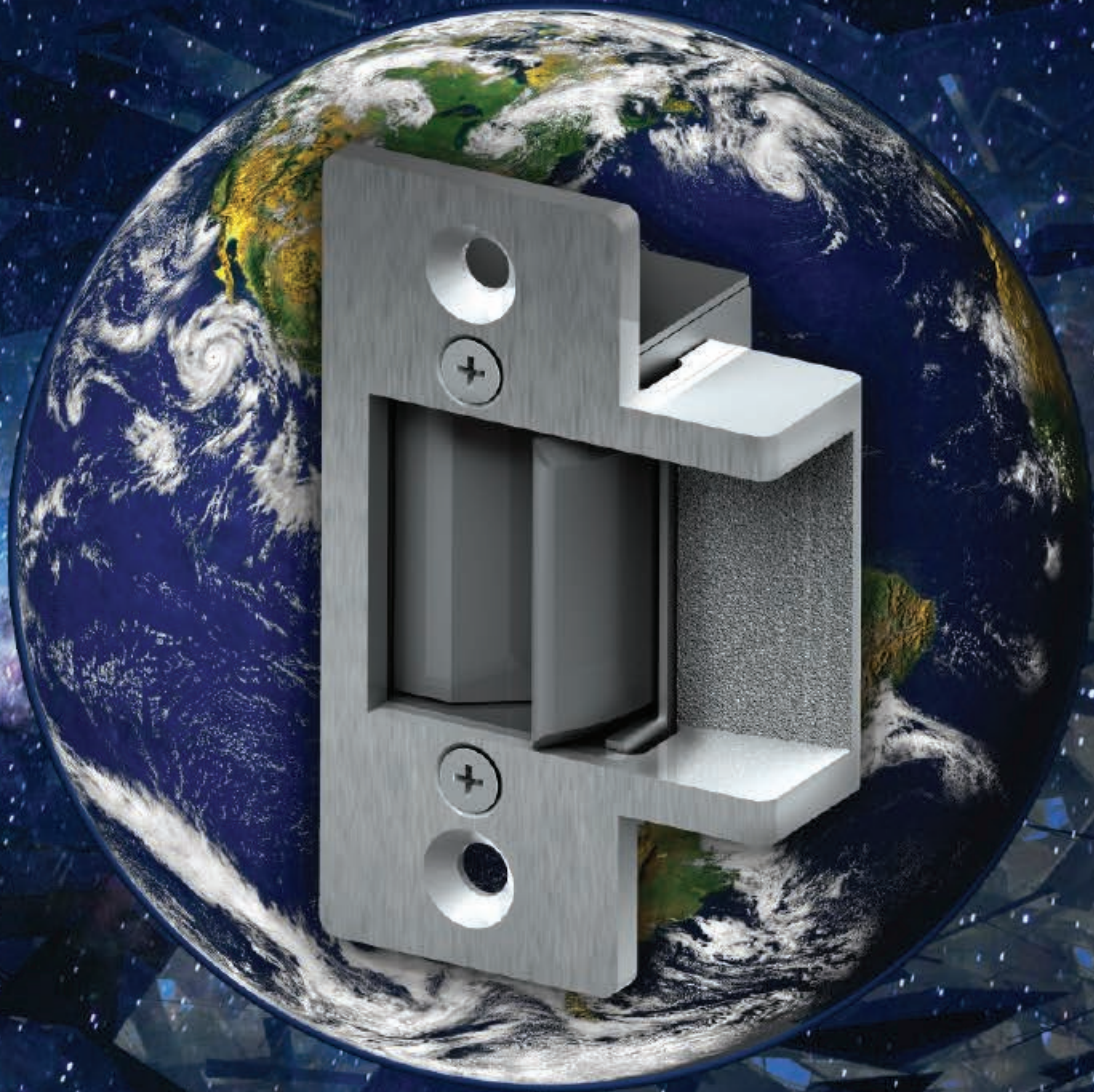
MODEL	DESCRIPTION	Price:
LC-100	External unit that operates on 11 through 29 AC/DC input and provides inductive kickback and surge protection. When used with the EN Series, 12DC must be selected and the LC100 must be located within 10' of the electric strike.	\$45.00
EN-CA-12DC	Coil Assembly (Orange/White Wire Leads)	\$41.00
EN-CA-24DC	Coil Assembly (Black/White Wire Leads)	\$41.00
EN-CA-12AC	Coil Assembly (Blue/Orange & White Wire Leads)	\$41.00
EN-CA-24AC	Coil Assembly (Blue/Black & White Wire Leads)	\$41.00
EN-SLR-RS	(1) Fail Safe Slider for 430/435 Units	\$30.00
TRS	(2) Tamper-Resistant Torx® #12-24 Screws	\$6.00
EN-TS	Trim Skirt (Not for use with 950 & 960)	\$20.00
EN-LSK	EN Latch Shim Kit for horizontal cavity adjustment.	\$10.00
ESK-1	EN Service Kit: <ul style="list-style-type: none"> • (1) Latch spring • (2) PFH 12-24x1" mounting screws & (2) PFH 6-32 x 1/8" cover screws • (2) Wire nut caps & (1) assembly pin and instruction sheet 	\$10.00
BZ-12	Buzzer for 12 DC operation	\$14.00
BZ-24	Buzzer for 24 DC operation	\$14.00
EN400-Gatebox	The weldable gate box solution for use with the EN400 & EN400RP Outdoor rated electric strikes. (Steel gatebox is <u>Not Finished</u>).	\$40.00
EN400-Gatebox-AL	The aluminum gate box solution for use with the EN400 & 400RP.	\$65.00

EN400-Gatebox & EN400-Gatebox-AL Dimensions



3000 SERIES

**THE SMALLEST ELECTRIC
STRIKE IN THE WORLD**



Key Features

- GRADE 1
- Accepts up to 5/8" latch throw
- 500,000 + life cycles
- 1,500 + lbs. holding force (1,200 lbs. for 334, 3234W)
- Dynamic Force 70 ft/lb.
- Fail-secure - standard action (unlocks with power)
- Fail-safe - "RS" (locks with power)

Standards

- BHMA - A156.31
- BHMA Grade 1 - All models (except 334)
- BHMA Grade 2 - 334

Note: 3000 series not recommended for use on exterior doors.

LC100

This unit is an external line conditioner that regulates input voltages, 11-29 AC or DC, and conditions the output for the activation period, then reduces holding voltage for continuous operation and reduced heat. The LC100 provides current/voltage surge protection and kickback protection. Install it up to 15' away from the mechanism.

Price: \$45.00

Options

Piezo Buzzer for "Standard Models"

- BZ-12: Audible buzzer for 12DC power
- BZ-24: Audible buzzer for 24DC power

Price:

\$14.00

Piezo Buzzer for "LC Models"

- BZ-6: Audible buzzer for 6DC power

3000-AK: Accessories Kit for the 3000 series

Includes: (2) 1/8" Strike Shims. (2) 1/16" faceplate shims
(2) 1/8" Horizontal adjustment tabs. (2) Long faceplate screws. (2) Short faceplate screws.

Price: \$20.00

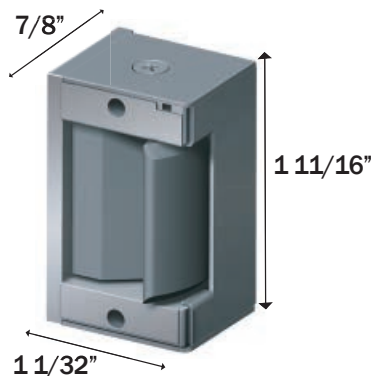
MODEL	VOLTAGE	CURRENT/AMPS	OHMS	DUTY	SOUND	WIRE COLOR
3012	12VDC	.480	25	Intermittent	Silent	Blue
3024	24VDC	.240	100	Intermittent	Silent	White

MODEL	VOLTAGE	PULL IN/HOLD AMPS	OHMS	DUTY	SOUND	WIRE COLOR
30LC/	12VDC	.743/.298	13	Intermittent/Continuous	Silent	Red
30RS	12VAC	.715/.277	13	Intermittent/Continuous	Silent	Red
	24VDC	.397/.170	13	Intermittent/Continuous	Silent	Red
	24VAC	.378/.173	13	Intermittent/Continuous	Silent	Red

3012 & 3024 Mechanism

Included spacers increase cavity depth up to 1/8"

Actual Size >



30LC & 30RS Mechanism

LC100



Actual Size >

Designed so a 1" drill bit can be used to hide unit in wood.



The LC100 can be used on the 30LC & 30RS ONLY and placed up to 15' feet away!

Model	Voltage	Function	Duty	Price:
3012	12DC	Fail Secure	Intermittent	\$145.00
3024	24DC	Fail Secure	Intermittent	\$145.00

Item	Voltage	Function	Duty	Price:
30LC	11-29AC/DC	Fail Secure	Continuous	\$179.00
30RS	11-29AC/DC	Fail Safe	Continuous	\$179.00

Now pick a Faceplate - starting on page 34

THE ONE BOX "KIT" SOLUTION FOR THE 3000 SERIES



FOR CYLINDRICAL LOCKS

Price: \$230.00

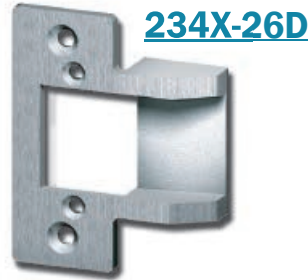
323478LC KIT

323478LC Includes:

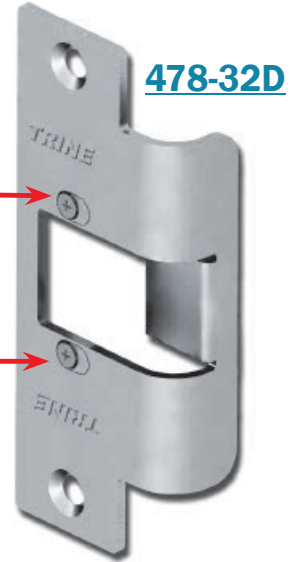
- (1) 234-26D – 2 3/4" Faceplate
- (1) 234X-375-26D – 2 3/4" Faceplate with extended ramp
- (1) 478-32D – 4 7/8" Faceplate
- (1) 478-CCFP - Competitor Cutout Filler Plate
- (1) 30LC - 11-29 AC & DC Mechanism



For the smallest electric strike cutout!



Designed for Timely®/Redi® Frames. Great for Wood!



Patented horizontal adjustment feature – guaranteed not to move!



478-CCFP

Covers the cutout left by competitor strikes.

See pg 34 for more details



FOR DEADLATCHES AND ALUMINUM FRAMES 3258458LC KIT

- Finishes:**
- 3258458LC-ALUM**
(Aluminum Powder Coat)
 - 3258458LC-DKBZ**
(Dark Bronze Powder Coat)

Price:
\$260.00

3258458LC Includes:

- (1) 258 – 2 3/4" Faceplate
- (1) 458LH – 4 5/8" Left Handed Faceplate
- (1) 458RH – 4 5/8" Right Handed Faceplate
- (1) 30LC - 11-29 AC & DC Mechanism

80% LESS FRAME CUTTING.

Smallest aluminum solution available - Great for glass store fronts

Fills frame preparation for many Adams Rite® Locks without relocating tabs.



34

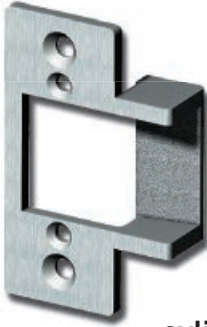


258



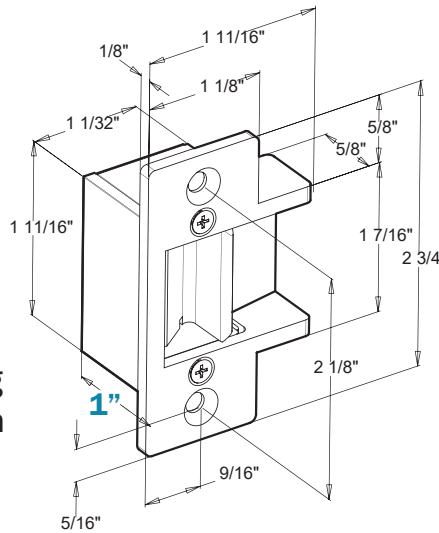
30LC





**234 Faceplate -
Smallest Electric
Strike in the World**

For new or replacement installations in metal frames. Use with cylindrical locksets having up to 5/8" throw, based on 1/8" door gap.



Price:

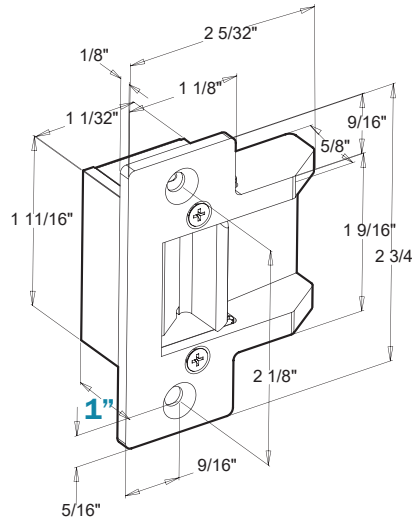
234-26D (Satin Chrome - BHMA651)	\$23.00
234-US10B (Dark Bronze - BHMA613)	\$26.00
234-US3 (Bright Brass - BHMA605)	\$34.00
234-US4 (Satin Brass - BHMA606)	\$26.00

Match with any 3000 Mechanism:
3012, 3024, 30LC, 30RS



**234X-375
Extended Faceplate**

Standard ANSI prep features an extended ramp to accommodate additional face of Timely®/Redi® frames. Ramp is extended 3/8". For new or replacement installations. Use with cylindrical locksets having up to 5/8" throw, based on 1/8" door gap.



Price:

234X-375-26D (Satin Chrome - BHMA651)	\$28.00
234X-375-US10B (Dark Bronze - BHMA613)	\$31.00
234X-375-US3 (Bright Brass - BHMA605)	\$38.00

Match with any 3000 Mechanism:
3012, 3024, 30LC, 30RS

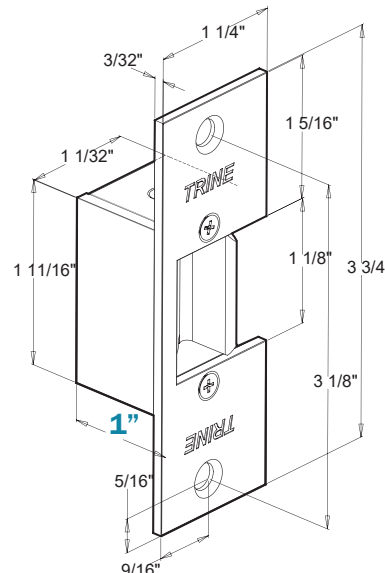
Great for wood frames!

Made for Timely®/Redi® Frames



334 Faceplate

For new or replacement installations in wood frames. Use with cylindrical locksets with up to 5/8" throw, based on 1/8" door gap.



Price:

334-26D (Satin Chrome - BHMA651)	\$28.00
334-US3 (Bright Brass - BHMA605)	\$32.00
334-US4 (Satin Brass - BHMA606)	\$28.00

Match with any 3000 Mechanism:
3012, 3024, 30LC, 30RS

THE SMALLEST ELECTRIC STRIKE IN THE WORLD
THE 3000 SERIES

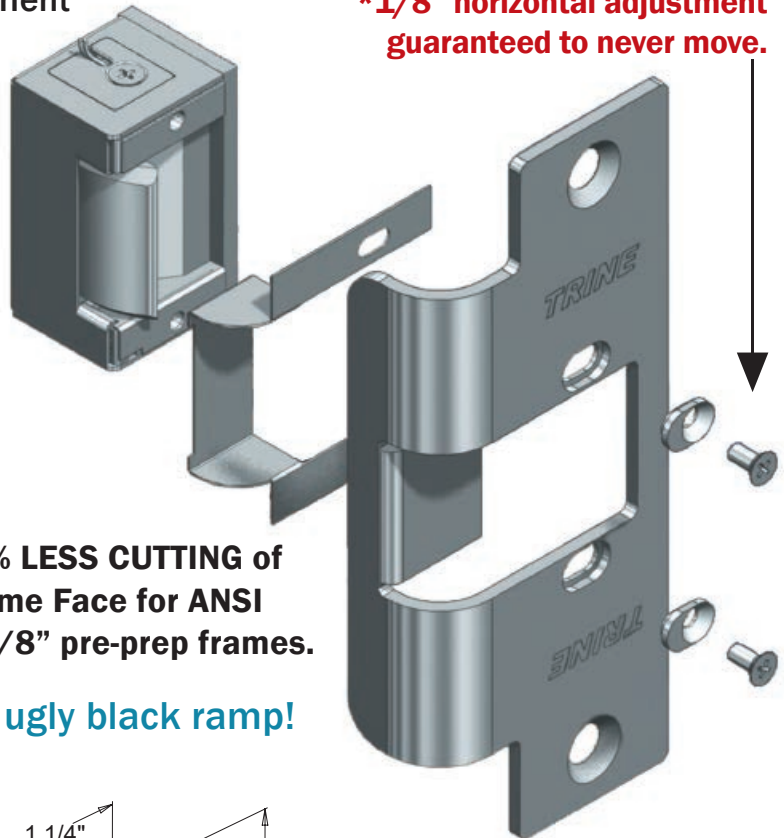


478

Adjustable ANSI Faceplate

For new or replacement installation in wood, metal or aluminum frames. Use with cylindrical locksets having up to 5/8" throw, based on 1/8" door gap.

***1/8" horizontal adjustment guaranteed to never move.**

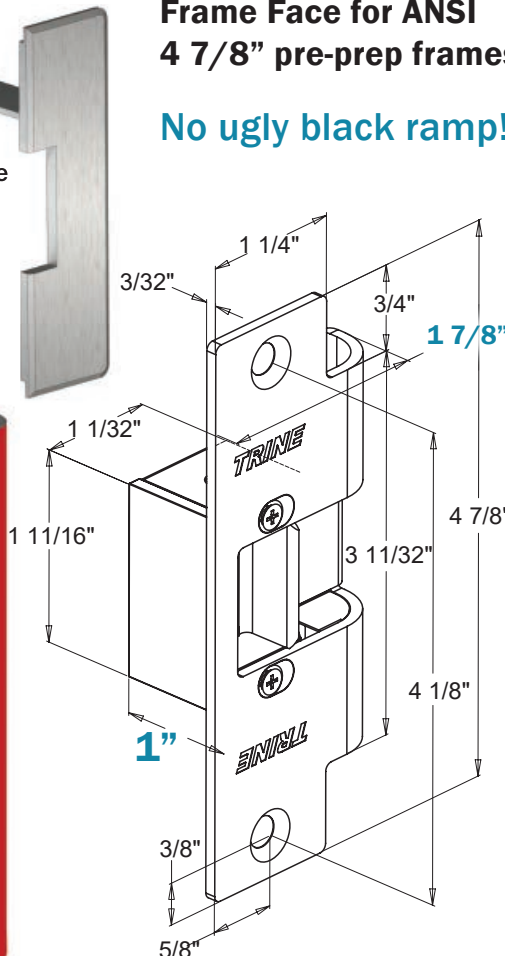
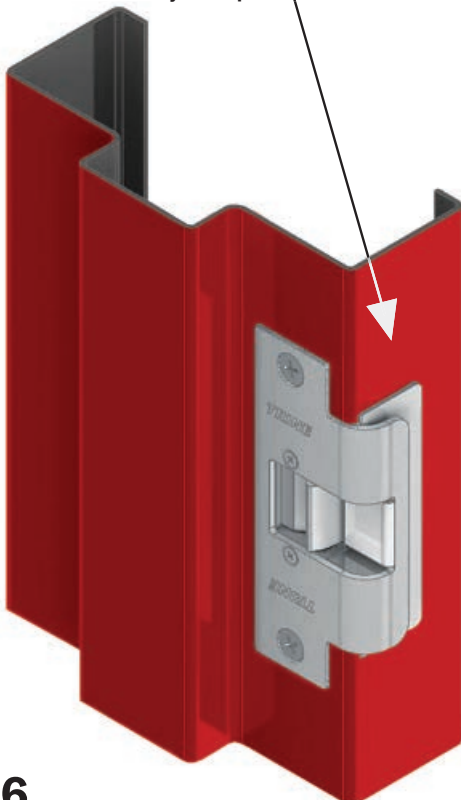


478-CCFP
INCLUDED WITH THE 478 FACEPLATE!
Competitor Cutout Filler Plate

60% LESS CUTTING of Frame Face for ANSI 4 7/8" pre-prep frames.

No ugly black ramp!

Stainless plate designed to fill in the hole left by competitor models.



Price:

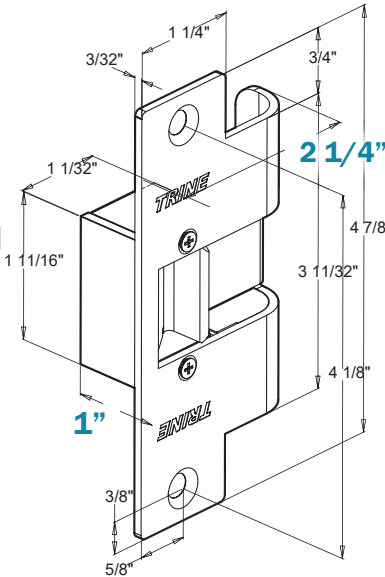
478-32D (Satin Stainless Steel – BHMA630)	\$34.00
478-32 (Polished Stainless Steel – BHMA629)	\$56.00
478-US10B (Dark Bronze – BHMA613)	\$48.00
478-US3 (Bright Brass – BHMA605)	\$62.00
478-US4 (Satin Brass – BHMA606)	\$50.00
RD (Radiused Corners)	add \$5.00

Match with any 3000 Mechanism:
3012, 3024, 30LC, 30RS

478X-375 Extended Faceplate



Frame features an extended ramp to accommodate additional face of **Timely®/Redi®** frames. Use with cylindrical locksets and deadlatches having up to 5/8" throw, based on 1/8" door gap.



Price:

478X-375-32D (Satin Stainless Steel – BHMA630)	\$48.00
478X-375-US10B (Dark Bronze – BHMA613)	\$62.00
478X-375-US3 (Bright Brass – BHMA605)	\$69.00
RD (Radiused Corners)	add \$5.00
Match with any 3000 Mechanism: 3012, 3024, 30LC, 30RS	

Provides a finished look for wood frames with trim.

See page 40 for frame prep.



Ramp Extends .375"

GOODBYE UNATTRACTIVE BLACK RAMPS!

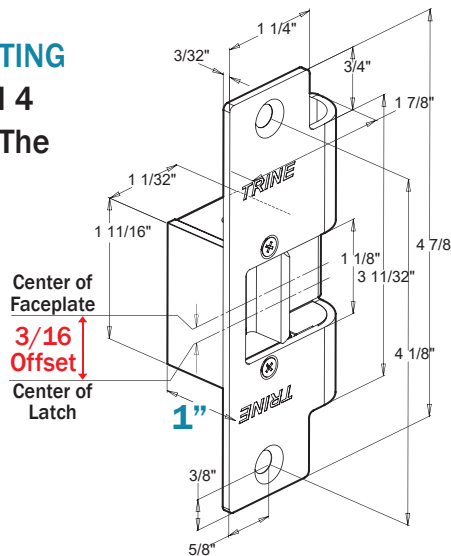
- Extended ramp (.375") accommodates snap-on additional frame face of Timely® & Redi® Frames.
- Eliminates traditional 4 7/8" ANSI strike cutting and black ramp extensions.
- Forward mounting of mechanism helps prevent door pre-load.

Made for Timely®/Redi® Frames

478LO / 478RO Faceplate



60% LESS FRAME CUTTING of Frame Face for ANSI 4 7/8" pre-prep frames. The strike opening on this face plate is **offset by 3/16"** from the center to accommodate door sag for the 478 (just change faceplates, and use the same mechanism)



Price:

478RO/LO-32D (Satin Stainless Steel – BHMA630)	\$34.00
478RO/LO-32 (Polished Stainless Steel – BHMA629)	\$54.00
478RO/LO-US10B (Dark Bronze – BHMA613)	\$48.00
RD (Radiused Corners)	add \$5.00
Offset strike - Must Specify Handing	
Match with any 3000 Mechanism: 3012, 3024, 30LC, 30RS	

RO-Right Handed Strike Shown

Accommodates for door sag.

NOTE: RIGHT HAND SHOWN HERE

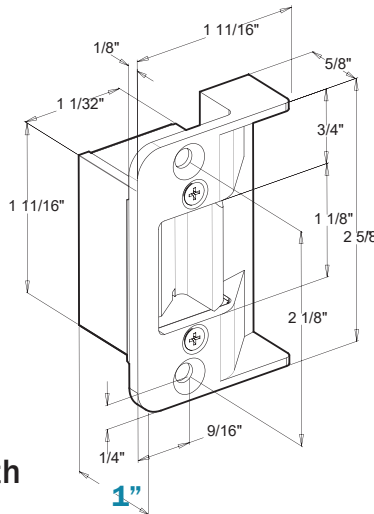
THE SMALLEST ELECTRIC STRIKE IN THE WORLD THE 3000 SERIES



258 Faceplate

80% less frame cutting when compared to typical 4 7/8" electric strike installations.

For new or replacement installations in aluminum frames. Use with 4510, 4710 & 4750 Adams Rite® dead latches. Replaces 4502 strike plate with slight modification.



Price:

258-26D (Satin Chrome - BHMA651)	\$30.00
258-US10B (Dark Bronze - BHMA613)	\$33.00

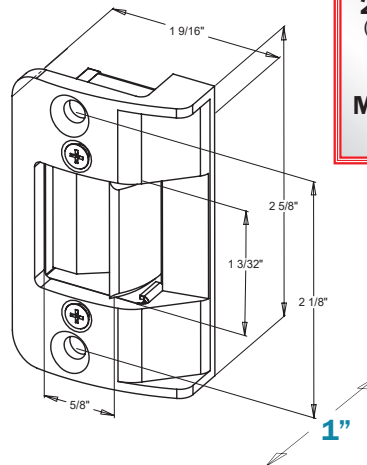
Match with any 3000 Mechanism:
3012, 3024, 30LC, 30RS



258RD Radiused Faceplate

80% less door cutting when compared to typical 4 7/8" electric strike installations.

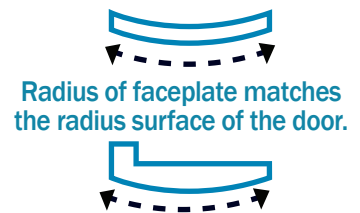
For new or replacement installations in aluminum doors. Use with 4510, 4710 & 4750 Adams Rite® dead latches. Replaces 4502 & 4900 strike plate with slight modification.



Price:

258RD-26D (Satin Chrome - BHMA651)	\$30.00
258RD-US10B (Dark Bronze - BHMA613)	\$33.00

Match with any 3000 Mechanism:
3012, 3024, 30LC, 30RS

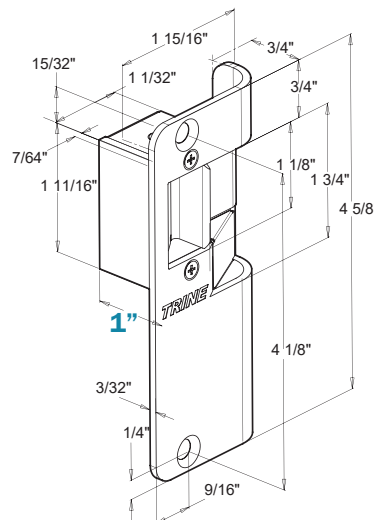


RH-Right Handed Strike Shown

458 Faceplate

80% LESS FRAME CUTTING.

Fills the frame preparation of Adams Rite® MS Locks without relocating tabs for 6 7/8" electric strikes. For new or replacement installations in aluminum frames. Replaces Adams Rite® 4730/4501 strike plate with slight frame modification.



Price:

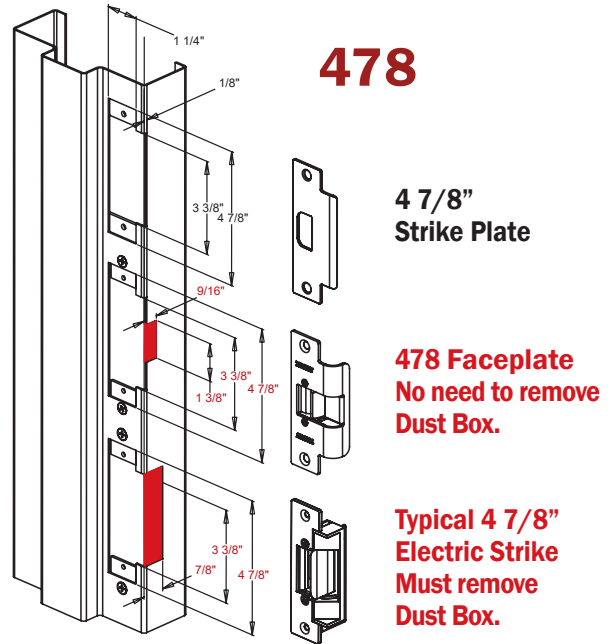
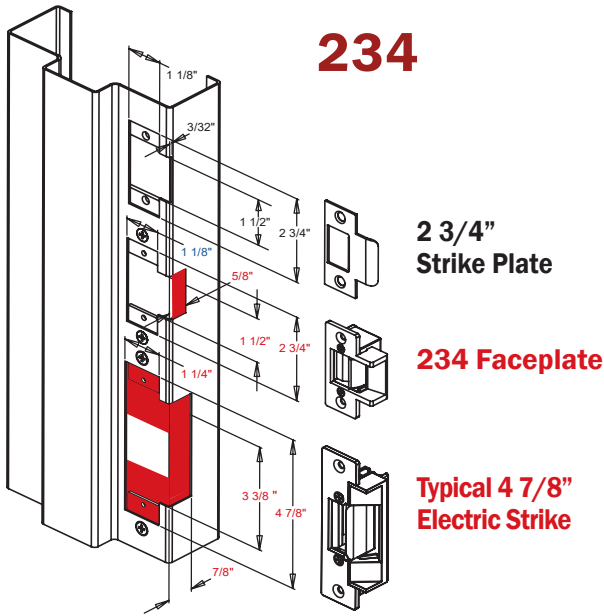
458-ALUM (Aluminum Powder Coat)	\$54.00
458-DKBZ (Dark Bronze Powder Coat)	

Match with any 3000 Mechanism:
3012, 3024, 30LC, 30RS

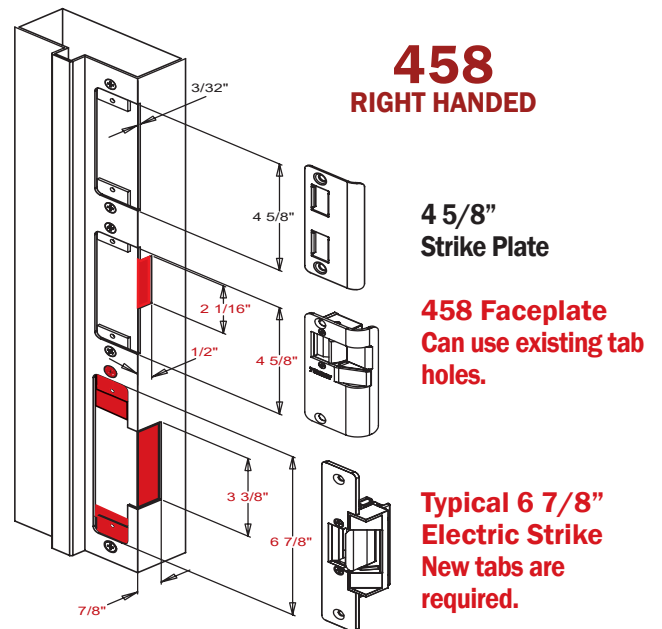
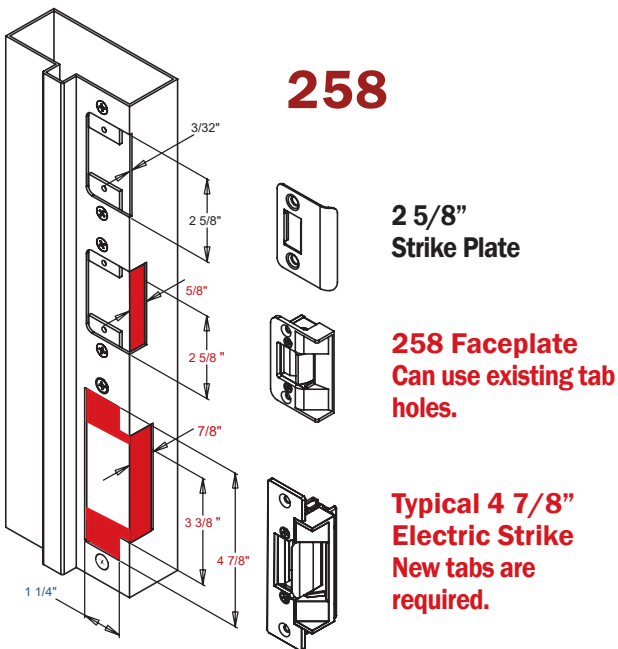
****Must Specify Handing****
RH or LH

Note: Faceplates are now powder coated.

ANSI FACEPLATE SOLUTIONS



ALUMINUM FACEPLATE SOLUTIONS

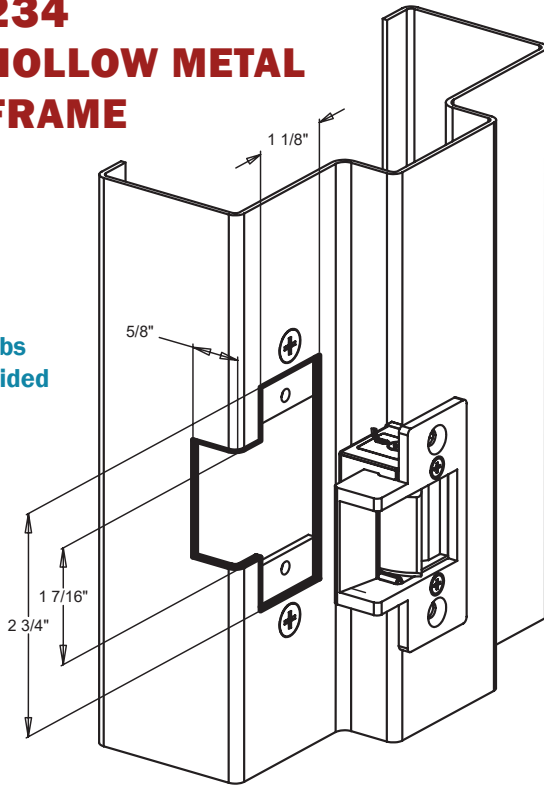


RED ON DIAGRAM = AMOUNT OF CUTTING
3000 SERIES STRIKES REDUCE AMOUNT OF LABOR, TIME, AND MATERIAL LOST ON DOOR FRAME

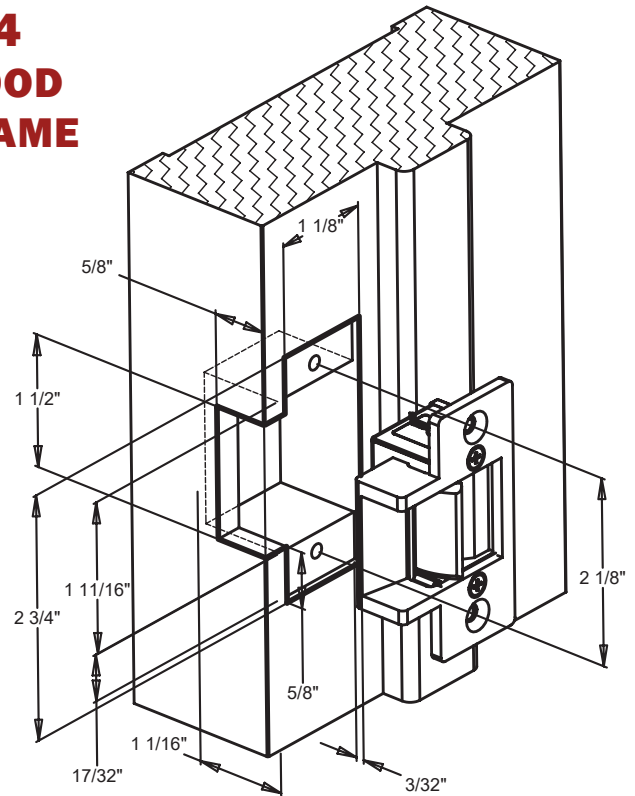
Note: 3000 series strikes not recommended for use on exterior doors.

234 HOLLOW METAL FRAME

Tabs
provided



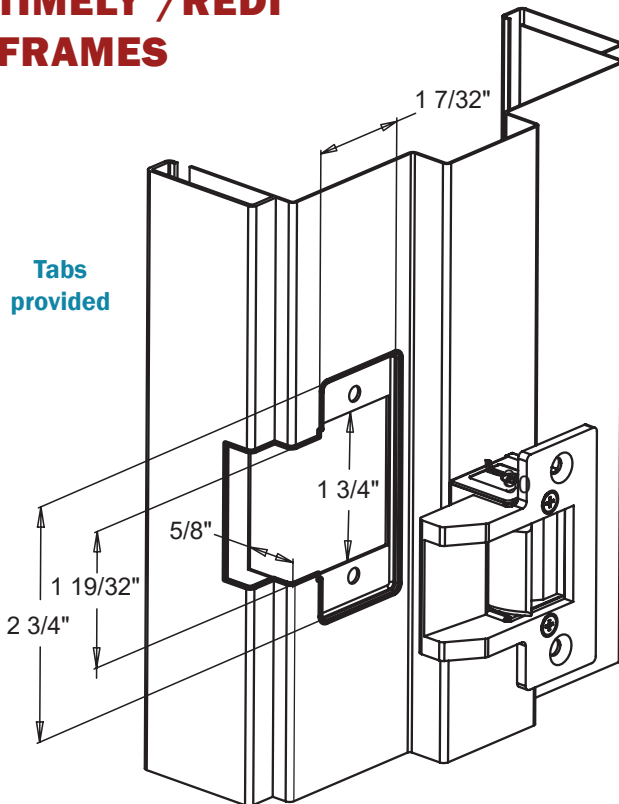
234 WOOD FRAME



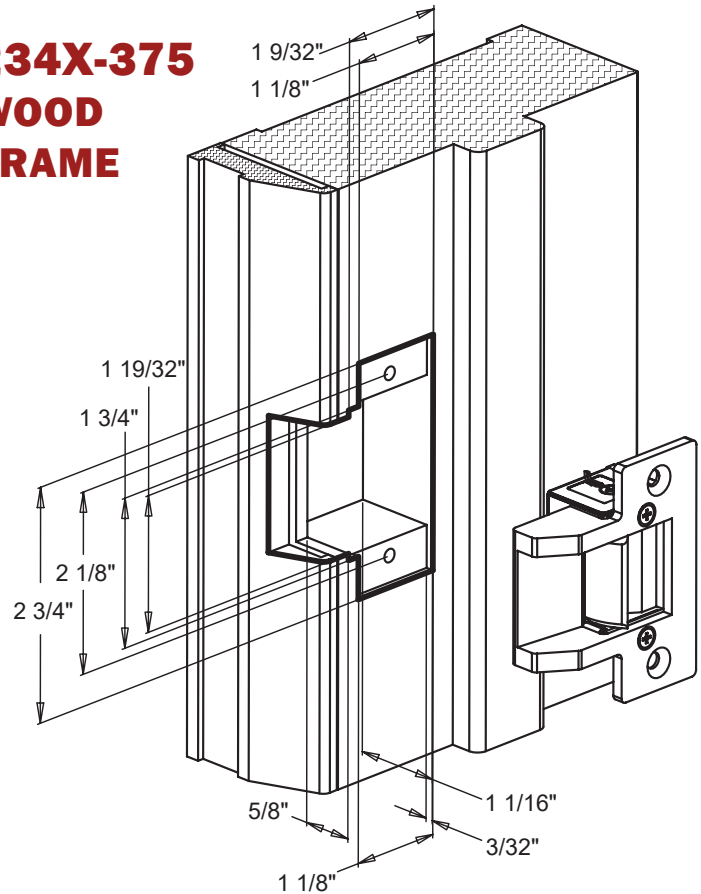
NOTE: USE 2 INCH LONG (OR LONGER) WOOD SCREWS FOR MOUNTING.

234X-375 TIMELY®/REDI® FRAMES

Tabs
provided

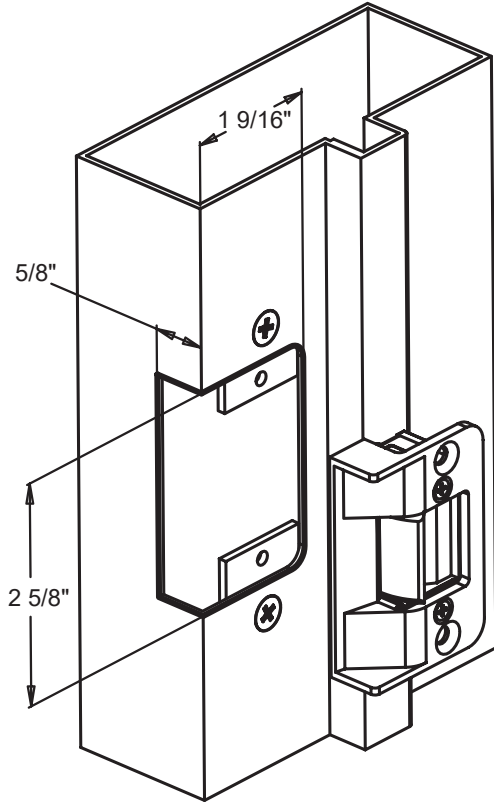


234X-375 WOOD FRAME

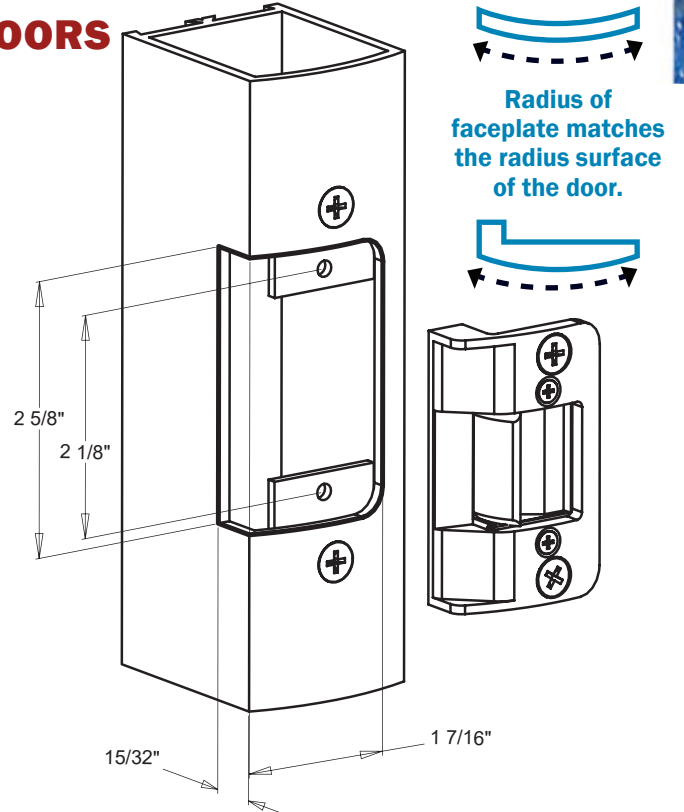


NOTE: USE 2 INCH LONG (OR LONGER) WOOD SCREWS FOR MOUNTING.

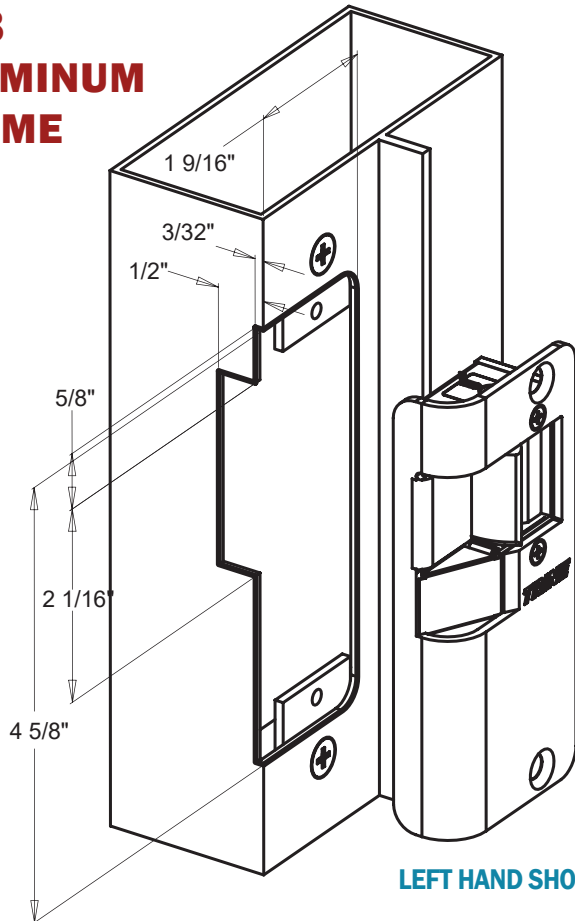
258 ALUMINUM FRAME



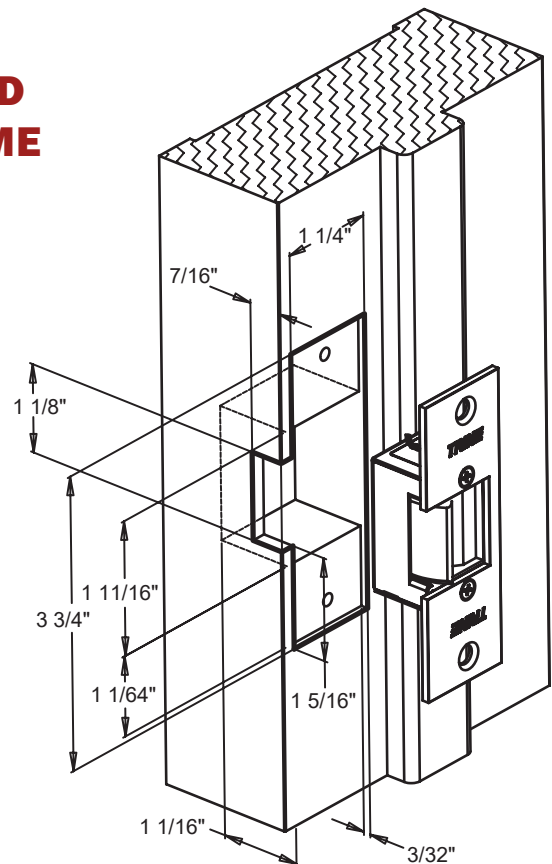
258RD ALUMINUM DOORS



458 ALUMINUM FRAME



334 WOOD FRAME

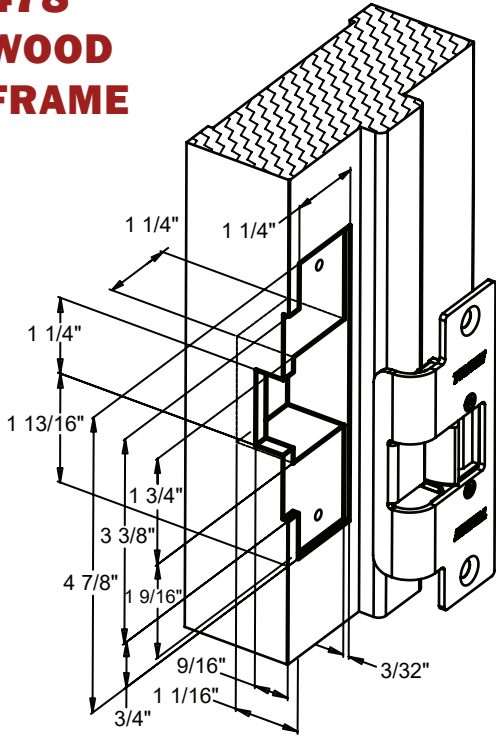


NOTE: USE 2 INCH LONG (OR LONGER) WOOD SCREWS FOR MOUNTING.

FRAME PREPS THE 3000 SERIES



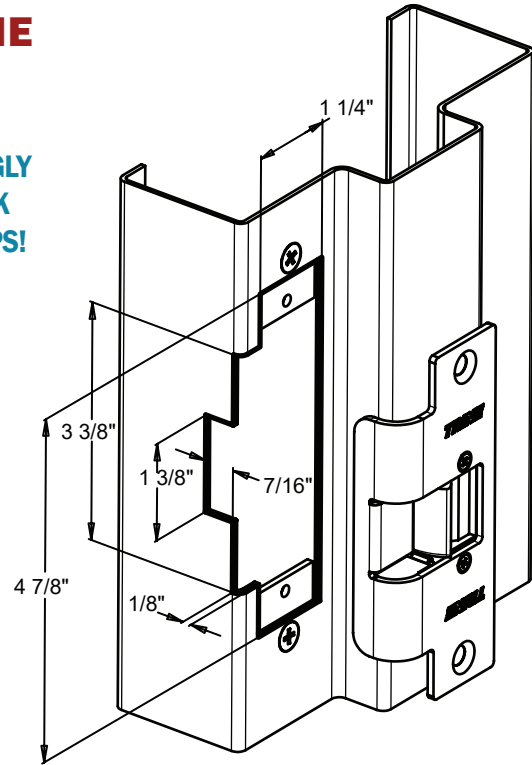
478 WOOD FRAME



NOTE: USE 2 INCH LONG (OR LONGER) WOOD SCREWS FOR MOUNTING.

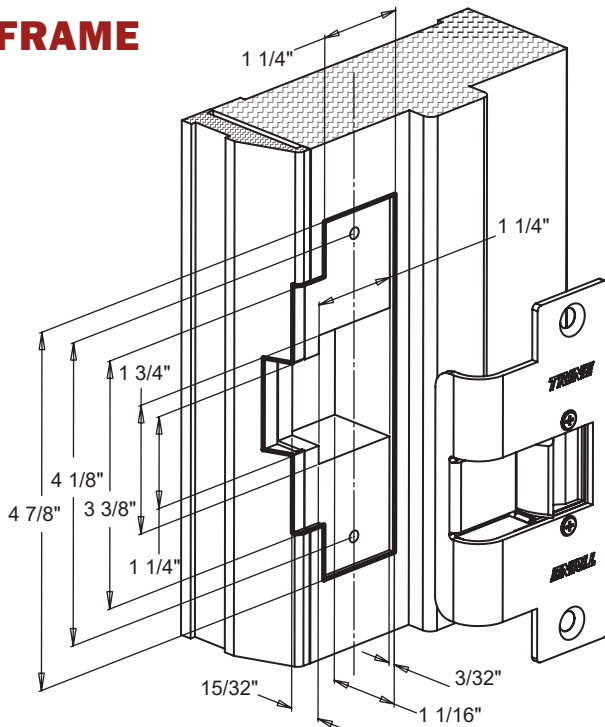
478 HOLLOW METAL FRAME

NO UGLY
BLACK
RAMPS!

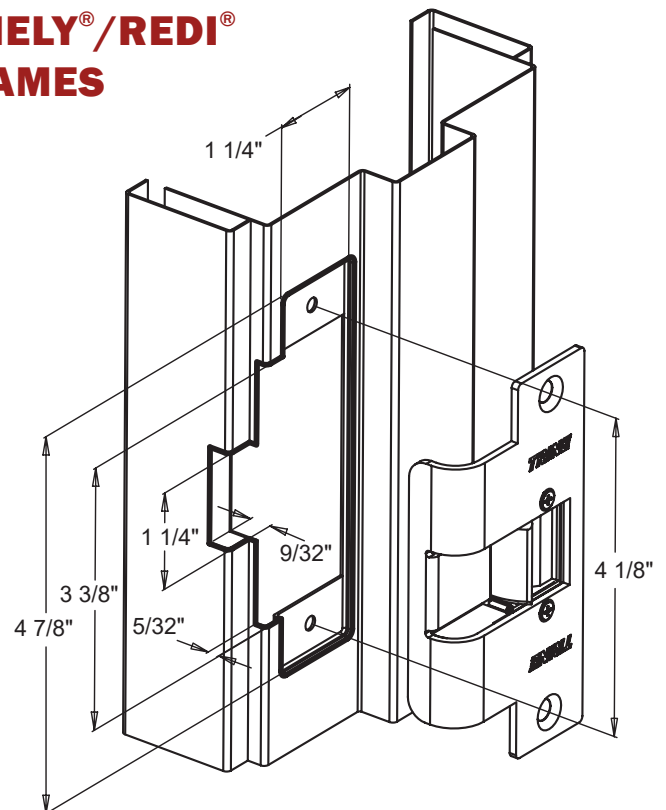


478X-375 WOOD FRAME

BEST LOOKING WOOD
INSTALLATION



478X-375 TIMELY®/REDI® FRAMES



NOTE: USE 2 INCH LONG (OR LONGER) WOOD SCREWS FOR MOUNTING.

Light Commercial Electric Strikes



**THE BEGGINING OF
IT ALL!**

00 Series



FEATURES

- Durability - 500,000 Life Cycles
- Holding Force - 1000 lbs
- Only 1 Moving Part in Locking Mechanism
- Non-Handed Operation
- Heavy Duty Latch Spring
- Fail Secure-Standard Action (Unlocks with Power)

Voltage	Amps	Ohms	Sound	Duty	Wire Color
8-16VAC/4-6VDC	1.3-2.7	1.4	Buzz	Intermittent	Black
12VDC	0.40	30.0	Silent	Continuous	Red/White
24VAC	1.40	4.7	Buzz	Intermittent	Red
24VDC	0.19	125.0	Silent	Continuous	Black/White



001

For use in new or replacement installations in wood and metal jambs. For use with locksets having up to 5/8" throw, based on 1/8" door gap.

Face Plate 5-7/8" x 1-1/4" – Mortise Backset 1-9/16" – Cavity Depth 1/2" – Cavity Width 9/16" – Cavity Height 1-1/2"

Price:

001 (Brass Powder Coated)	\$51.00
001C (Satin Chrome – BHMA651)	\$58.00
RS (Fail Safe) - For DC Models only.	add \$20.00



002

For use in new or replacement installations in wood and metal jambs Auxiliary lever ramps for use with locksets which contain dead locking levers. Use with locksets having up to 5/8" throw, based on 1/8" door gap.

Face Plate 7-15/16" x 1-7/16" – Auxiliary Ramp 2-7/8" – Mortise Backset 1-9/16" – Cavity Depth 1/2" – Cavity Width 9/16" – Cavity Height 1-1/2"

Price:

002 (Aluminum Powder Coated)	\$82.00
002DB (Dark Bronze Powder Coated)	\$87.00
RS (Fail Safe) - For DC Models only.	add \$20.00



003

For surface mount installations on wood or metal jambs for in swinging applications with surface mount. Use with locksets and night latches having up to 5/8" throw, based on 1/8" door gap. When mounted on a pair of doors, strike is mounted to the inactive leaf.

Surface Mount – Case 4-11/16" x 1-1/4" – Cavity Depth 1/2" – Cavity Width 9/16" – Cavity Height 1-1/2"

Price:

003 (Grey Moulded Cover)	\$91.00
RS (Fail Safe) - For DC Models only.	add \$20.00



004

For new or replacement installations in wood jambs. Use with locksets with individual dead bolts. **Dead bolts cannot be released electrically.** Use with locksets having up to 5/8" throw, based on 1/8" door gap.

Face Plate 6-1/4" x 1-3/8" – Dead bolt Knockouts Top & Bottom 1-11/16" x 9/16" – Mortise Backset 2-3/4" – Cavity Depth 1/2" – Cavity Width 9/16" – Cavity Height 1-1/2"

Price:

004 (Brass Powder Coated)	\$95.00
004C (Satin Chrome – BHMA651)	\$100.00
004DB (Dark Bronze Powder Coated)	\$100.00
RS (Fail Safe) - For DC Models only.	add \$20.00

Light Commercial Electric Strikes

00 Series

Light Commercial Strikes



005

For use in replacement installations in wood jambs and iron gates. Use with bored cylindrical locksets having up to 5/8" throw, based on 1/8" door gap.

Face Plate 3-1/2" x 1-3/8" – Mortise Backset 2-3/4" – Cavity Depth 1/2" – Cavity Width 9/16" – Cavity Height 1-1/2"

Price:	
005 (Brass Powder Coated)	\$62.00
005C (Satin Chrome – BHMA651)	\$68.00
RS (Fail Safe) - For DC Models only.	add \$20.00



HD005

Screwed-on Faceplate and reinforced Latch Pin provide additional strength for **HEAVY DUTY** installations.

For use in replacement installations in wood jambs and iron gates. Use with bored cylindrical locksets having up to 5/8" throw, based on 1/8" door gap.

Face Plate 3-1/2" x 1-3/8" – Mortise Backset 2-3/4" – Cavity Depth 1/2" – Cavity Width 9/16" – Cavity Height 1-1/2"

Price:	
HD005 (Brass Powder Coated)	\$80.00
HD005C (Satin Chrome – BHMA651)	\$86.00
RS (Fail Safe) - For DC Models only.	add \$20.00



S005

For use in replacement installations in wood jambs and iron gates. Use with bored cylindrical locksets having up to 3/4" throw, based on 1/8" door gap.

Face Plate 3-1/2" x 1-3/8" – Mortise Backset 2-7/8" – Cavity Depth 5/8" – Cavity Width 23/32" – Cavity Height 1-1/2"

Price:	
S005 (Brass Powder Coated)	\$72.00
S005C (Satin Chrome – BHMA651)	\$79.00
RS (Fail Safe) - For DC Models only.	add \$20.00



006

For surface mount installations on metal or wood jambs, for in swinging applications. Use with locksets or night latches having up to 5/8" throw, based on 1/8" door gap. When mounted on a pair of doors, strike is mounted to the inactive leaf.

Case 2-1/8" x 1-3/16" – Surface Mounted – Die Cast Housing – Cavity Depth 1/2" – Cavity Width 1/2" – Cavity Height 1-3/8"

Price:	
006 (Brass Powder Coated)	\$99.00
RS (Fail Safe) - For DC Models only.	add \$20.00



007

For use in new or replacement installations in wood jambs. Use with locksets having up to 3/4" throw, based on 1/8" door gap.

Face Plate 4-7/8" x 1-1/4" – Mortise Backset 2-7/8" – Cavity Depth 5/8" – Cavity Width 3/4" – Cavity Height 1-1/2"

Price:	
007 (Brass Powder Coated)	\$99.00
007C (Satin Chrome – BHMA651)	\$104.00
RS (Fail Safe) - For DC Models only.	add \$20.00

ANSI 01 Series



FEATURES

- Durability - 300,000 Life Cycles
- Holding Force - 1200 lbs
- Solid Brass Locking System
- Cast Steel Latch
- Heavy Duty Latch Spring

Voltage	Current/Amps	Ohms	Sound	Duty
10-16VAC	0.60 - 0.90	10.0	Buzz	Intermittent
12VDC	0.50	10.0	Silent	Intermittent
24VAC	0.42	47.0	Buzz	Intermittent
24VDC	0.20	119.0	Silent	Continuous



012

For new or replacement installations in metal jambs. Use with locksets having up to 5/8" throw, based on 1/8" door gap.

- Face Plate 4-7/8" x 1-1/4"
- Mortise Backset 1-5/8"
- Cavity Depth 9/16"
- Cavity Width 9/16"
- Cavity Height 1-1/2"

Price:

012 (Brass Powder Coated)	\$118.00
012C (Satin Chrome - BHMA651)	\$122.00
RS (Fail Safe) - 24DC Model only.	add \$30.00

FEATURES

- Miniature Design
- Die Cast Case
- Solid Cast Latch - Chrome Plated
- Non-Handed
- Heavy Duty Latch Spring

Voltage	Current/Amps	Ohms	Sound	Duty
10-16VAC	0.82 - 1.44	6.8	Buzz	Intermittent
12VDC	0.184	65.0	Silent	Continuous
24VAC	0.895	14.0	Buzz	Intermittent
24VDC	0.100	240.0	Silent	Continuous



014

For new or replacement installations in metal jambs. Use with locksets having up to 5/8" throw, based on 1/8" door gap.

- Face Plate 2-3/4" x 1-1/8"
- Mortise Backset 1-1/4"
- Cavity Depth 1/2"
- Cavity Width 5/8"
- Cavity Height 1-1/8"

Price:

014 (Brass Powder Coated)	\$94.00
014C (Satin Chrome - BHMA651)	\$100.00

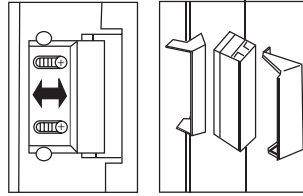
Light Commercial Electric Strikes

The Adjustable 2000 Series

Light Commercial Strikes

FEATURES

- Allows adjustment for wider latch bolts & poorly aligned doors & locksets
- **1/8" Horizontal Latch Adjustment**
- **Releases Under Slight Door Preload**
- Life Cycles - 500,000
- **Holding Force - 900 lbs**
- **Solid Cast Latch - Chrome Plated**
- **Non-Handed Operation**



Voltage	Current/Amps	Ohms	Sound	Duty
6-14VAC	0.44 - 1.10	8.5	Buzz	Intermittent
6-14VDC	0.70 - 1.60	8.5	Silent	Intermittent
16-24VAC	0.22 - 0.33	50.0	Buzz	Intermittent
16-24VDC	0.32 - 0.47	50.0	Silent	Intermittent
12VDC	0.200	60.0	Silent	Continuous
24VDC	0.12	120.0	Silent	Continuous



2001

For use in new or replacement wood or metal jamb installations with locksets having up to 5/8" throw, based on 1/8" door gap.

Face Plate 5-7/8" x 1-1/4" – Narrow Style Face Plate – Mortise Backset 1-9/16" – Cavity Depth 9/16" – Cavity Width 5/8" – Cavity Height 1-11/16"

NOT AVAILABLE IN FAIL-SAFE FUNCTION. SEE 001 ON PAGE 42

Price:

2001 (Brass Powder Coated) **\$91.00**
2001C (Satin Chrome – BHMA651) **\$97.00**



2002

For use in new or replacement, aluminum or hollow, metal jamb installations. Auxiliary lever ramps for use with locksets containing dead-locking levers. Use with latch bolts having up to 5/8" throw, based on 1/8" door gap.

Face Plate 7-15/16" x 1-7/16" – Auxiliary Ramp Height 2-7/8" – Mortise Backset 1-9/16" – Cavity Depth 9/16" – Cavity Width 5/8" – Cavity Height 1-11/16"

Price:

2002 (Aluminum Powder Coated) **\$106.00**
2002DB (Dark Bronze Powder Coated) **\$110.00**
RS (Fail Safe) - For DC Models only. **add \$20.00**



2002WR

For use in new or replacement, aluminum or hollow, metal jamb installations. Auxiliary lever ramps for use with locksets containing dead-locking levers. Use with locksets having up to 5/8" throw, based on 1/8" door gap.

Steel Face Plate 7-15/16" x 1-7/16" – Auxiliary Ramp Height 3-3/8" – Mortise Backset 1-9/16" – Cavity Depth 9/16" – Cavity Width 5/8" Cavity Height 1-11/16"

Price:

2002WR (Aluminum Powder Coated) **\$115.00**
2002WRDB (Dark Bronze Powder Coated) **\$118.00**
RS (Fail Safe) - For DC Models only. **add \$20.00**



2007

For use in new or replacement installations in metal jambs. Fits a standard 4-7/8" ANSI prep with little jamb modification. Use with locksets having up to 5/8" throw, based on 1/8" door gap.

Steel Face Plate 4-7/8" x 1-1/4" – Narrow Style Face Plate – Mortise Backset 1-9/16" – Cavity Depth 9/16" – Cavity Width 5/8" – Cavity Height 1-11/16"

Price:

2007 (Brass Powder Coated) **\$110.00**
2007C (Satin Chrome – BHMA651) **\$115.00**
2007DB (Dark Bronze Powder Coated) **\$115.00**
RS (Fail Safe) - For DC Models only. **add \$20.00**

The Adjustable 2000 Series



2009

For use in new or replacement installations in metal jambs. Centerline of the latch is 3/8" below ANSI centerline for offset applications. Fits a standard 4-7/8" ANSI prep with little jamb modification. Use with locksets having up to 5/8" throw, based on 1/8" door gap.

Steel Face Plate 4-7/8" x 1-1/4" – Narrow Style Face Plate – Mortise Backset 1-9/16" – Cavity Depth 9/16" – Cavity Width 5/8" – Cavity Height 1-11/16"

Price:	
2009 (Brass Powder Coated)	\$118.00
2009C (Satin Chrome – BHMA651)	\$123.00
2009DB (Dark Bronze Powder Coated)	\$123.00
RS (Fail Safe) - For DC Models only.	add \$20.00



2012

For use in new or replacement, aluminum or hollow, metal jamb installations with locksets having up to 5/8" throw, based on 1/8" door gap.

Steel Face Plate 4-7/8" x 1-1/4" – Auxiliary Ramp 3-3/8" – Mortise Backset 1-9/16" – Cavity Depth 9/16" – Cavity Width 5/8" – Cavity Height 1-11/16"

Price:	
2012 (Brass Powder Coated)	\$122.00
2012C (Satin Chrome – BHMA651)	\$122.00
2012DB (Dark Bronze Powder Coated)	\$122.00
RS (Fail Safe) - For DC Models only.	add \$20.00



2678

For use in new or replacement aluminum, or hollow, metal jamb installations. Auxiliary lever ramps for use with locksets containing dead-locking levers. Useful when converting an MS Lock to a dead latch. Up to 5/8" throw, based on 1/8" door gap.

Face Plate 6-7/8" x 1-1/4" – Auxiliary Ramp 3-3/8" – Mortise Backset 1-9/16" – Cavity Depth 9/16" – Cavity Width 5/8" – Cavity Height 1-11/16"

Price:	
2678 (Satin Aluminum - BHMA 628)	\$119.00
2678-US10B (Satin Bronze – BHMA639)	\$125.00
RS (Fail Safe) - For DC Models only.	add \$20.00

The 1000 Series

FEATURES

- Releases Under Slight Door Preload
- **Taller latch cavity for easier door alignment.**
- Life Cycles - 500,000
- Holding Force - 1000 lbs
- Non-Handed Operation

<u>Voltage</u>	<u>Current/Amps</u>	<u>Ohms</u>	<u>Sound</u>	<u>Duty</u>
6-14VAC	0.495 - 1.09	8.5	Buzz	Intermittent
6-14VDC	0.650 - 1.24	8.5	Silent	Intermittent
16-24VAC	0.270 - 0.48	50.0	Buzz	Intermittent
16-24VDC	0.380 - 0.61	50.0	Silent	Intermittent



1001-2

For use in new or replacement installations in wood and metal jambs. For use with locksets having up to 5/8" throw, based on 1/8" door gap.

Steel Face Plate 5-7/8" x 1-1/4" – Narrow Style Face Plate – Mortise Backset 1-1/2" – Cavity Depth 9/16" – Cavity Width 9/16" – Cavity Height 1-11/16"

Price:	
1001-2 (Brass Powder Coated)	\$72.00
1001-2C (Satin Chrome – BHMA651)	\$78.00



1002-2

For use in new or replacement installations in wood and metal jambs. Auxiliary lever ramps for use with locksets which contain dead locking levers. For use with locksets having up to 5/8" throw, based on 1/8" door gap.

Face Plate 7-15/16" x 1-7/16" – Auxiliary Ramp 2-7/8" Height – Mortise Backset 1-1/2" – Cavity Depth 9/16" – Cavity Width 9/16" – Cavity Height 1-11/16"

Price:	
1002-2 (Aluminum Powder Coated)	\$94.00
1002-2DB (Dark Bronze Powder Coated)	\$99.00

ACCESSORIES

**IT'S BACK! THE COMPLETELY
REDESIGNED 018-4/017TDC-4**

**NOW UTILIZING ROLLING CODE
WITH OVER 4+ BILLION CODES
AND IN A VARIETY OF COLORS.**



LBM SOLUTIONS
LATCHBOLT MONITORING
MADE EASY,
LASTS LONGER,
INSTALLS ANYWHERE

WIRELESS CHIMES

**FAST AND EASY
INSTALLATION**



THE NEW LATCHBOLT MONITORING SOLUTION



LBM-1

SINGLE SWITCH FOR CYLINDRICAL LOCKS



Note: LBM-1 and LBM-2 are not electric strikes and do not release a latch.

LBM-2

DOUBLE SWITCH FOR MORTISE LOCKS



The microswitch used for over 30 years...



IS A THING OF THE PAST.

The life cycle of the old microswitches is far less than the strikes they were connected to. Trine's magnetic reed switch has a life cycle in excess of 2 million cycles.

Part of this durability lies in the moisture and weather resistant nature of the reed switch. The LBM-1 & 2 can work in environments where the old microswitches never could.

Strike Plate is not provided!

Strike Plate is not provided!



LBM CHARACTERISTICS:

CONTACT FORM:	C
CONTACT RATING:	10W
SWITCHING VOLTAGE:	30V MAX AC/DC
SWITCHING CURRENT:	0.5 A
CONTACT RESISTANCE	
STATIC:	150 MILLIOHM
BREAKDOWN VOLTAGE:	200 VDC
OPERATING TEMP:	-40° - 130° C
RATE:	2,000,000+ CYCLES

Patent Pending



Price:
LBM-1 \$118.00

Strike Plate is not provided!

**AVAILABLE IN
SUMMER OF
2016**

Price:
LBM-2 \$155.00

Strike Plate is not provided!



234WB -- STROBE CHIME "See" Your Door Ring!!

- Sound and Sight - 8 note Westminster or 2-note sound with flashing parallel light
- Simply plug-in - as many as desired wherever desired
- Volume control- adjust to desired intensity
- Up to 100 ft. operating range
- 128 selectable channels. Setting the **same** code on multiple devices will allow them to chime at the same time (if within range). Setting **different** codes will allow multiple chimes in proximity to work without interference.
- 80db at 3 feet at max setting
- 6 Foot-Candles strobe output
- FCC-IC approved, UL, CSA recognized

Price:

234WB \$87^{.00}



232 -- BATTERY OPERATED

- Field selectable 2 note or 1 note
- Requires 3 "C" batteries (not included)
- Up to 100ft operating range
- 64 selectable security codes. Setting the **same** code on multiple devices will allow them to chime at the same time (if within range). Setting **different** codes will allow multiple chimes in proximity to work without interference
- A-23 battery included
- FCC-IC approved

Price:

232 \$31^{.00}



233 -- PLUG IN

- Field selectable 8 note or 2 note
- Plugs into 120VAC outlet
- 128 selectable security codes. Setting the **same** code on multiple devices will allow them to chime at the same time (if within range). Setting **different** codes will allow multiple chimes in proximity to work without interference
- Up to 100 ft. operating range
- A-23 battery included
- UL recognized, FCC-IC approved

Price:

233 \$39^{.00}

New Upgraded Wireless Controller & Transmitter



017TDC-4 -- WIRELESS CONTROLLER NOW UTILIZING ROLLING CODE

NEW

- 500' Range
 - 2 Channel receiver and transmitter
 - Independently programmable A & B channel.
 - 4, 8, 16 second delay or alternate action trigger
 - Dry contact relay rated up to 30V @ 5 amps
 - Single push button program erase (for security)
 - Screw terminal connections
 - Up to 8 transmitters per one receiver.
 - FCC-IC approved.
- Not backwards compatible with any older 017TDC/018 models.**



AVAILABLE

Price:	
017TDC-4	\$79.00

018-4 -- WIRELESS TRANSMITTER

TWO BUTTON TRANSMITTER

- Four color options
- 8 transmitters per receiver.
- LED indicates operation
- Rolling Code technology provides self learning and 4+ billions codes.
- A-23 Battery Included
- FCC-IC approved



018-4-WHT



018-4-RED



018-4-BLK



018-4-BLU

Price:	
018-4-BLK	\$33.00
018-4-BLU	
018-4-RED	
018-4-WHT	



206-2 – MOTION ALERT ANNUNCIATOR

- Moving objects are detected by changes in reflected light
- Battery operated with 2 “C” cells (not included)
- 3 selectable tones, 8 note melody, 2 note repeated, 2 note alternating tone
- Off, high & low volume control switch 77db (low) and 84db (high) @ 3 ft
- Durable white moulded plastic case 3-1/6” x 4-3/8” x 2-3/8”

Price:

206-2 \$27.00



206-3 – WIRELESS ENTRY/EXIT SIGNAL KIT

- 1 note, 2 note or 8 note melody chime, field selectable
- Wireless battery-operated door contact switch A-23 battery (included)
- Up to **100ft range** – 128 selectable codes. Setting the same code on multiple devices will allow them to chime at the same time (if within range). Setting different codes will allow multiple chimes in proximity to work without interference
- Receiver plugs into 120 VAC outlet
- Adjustable volume control, 74db (low) 82db (high) @ 3ft
- UL recognized, FCC-IC approved

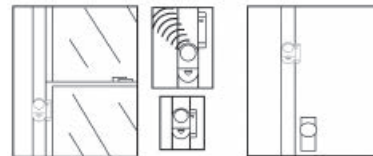
Price:

206-3 \$54.00



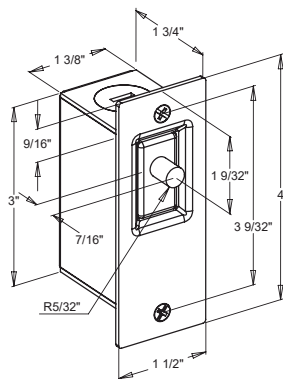
215 – WINDOW/DOOR ENTRY/EXIT SIGNAL KIT

- N/O magnetic contact switch activates alarm
- User can set for Chime or 105db alarm sound
- On/Off switch
- No wiring
- **(3) L1154 batteries (included)**
- Contacts provided with mounting tape



Price:

215 \$11.00

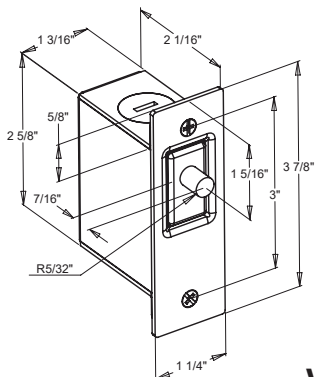


340 – ELECTRIC DOOR SWITCH

- Face plate brass finish 4”H x 1-1/2”W
- Box 3”H x 1-3/8”W x 1-3/4”D
- Switch Rating: 120VAC, 10 Amps 250VAC, 5 Amps
- Field selectable N/C or N/O
- Stamped steel case – UL, CSA listed switch & wire leads
- Faceplate Powder Coated Brass
- 4 - knockouts 7/8”

Price:

340 \$20.00



342 – ELECTRIC DOOR SWITCH (NARROW STYLE)

- Face plate brass finish 3-7/8”H x 1-1/4”W
- Box 2-5/8”H x 1-3/16”W x 2-1/8”D
- Switch Rating: 120VAC, 10 Amps 250VAC, 5 Amps
- Field selectable N/C or N/O
- Stamped steel case – UL, CSA listed switch & wire leads
- Faceplate Powder Coated Brass
- 4 - knockouts 7/8”

Price:

342 \$20.00

Door Chimes, Bells, Buzzers, & Chime Kits

TRINE
ACCESS TECHNOLOGY.



201 – CHIME KIT

- (1) White chime base, (2) Unlighted 66W white push buttons, and (1) 16VAC-10VA Hard wire transformer
- Mounting hardware included, excluding wire
- Offers 2 note front door/1 note rear door ability

Price:

201 \$26.00



203 – CHIME KIT

- (1) White chime base, (1) Lighted 45LG push button, and (1) 16VAC-10VA Hard wire transformer
- Mounting hardware included, excluding wire
- Offers 2 note front door/1 note rear door ability

Price:

203 \$26.00



240 – CHIME

- Chime base with solid white cover
- Offers 2 note front door/ 1 note rear door ability
- Operating voltage 12-16VAC – Mounting base hardware provided
- 80 db sound at 3 feet – Outer dimension 7-1/4" x 4-3/4" x 1-7/8"

Price:

240 \$28.00



296 – CHIME

- Chime base with solid white cover
- Offers 2 note front door/1 note rear door ability
- Operating voltage 12-16VAC – Mounting base hardware included
- 75db sound at 3 feet – Outer dimension 1-1/8" x 4" x 2"

Price:

296 \$19.00



270 – BUZZER

- Enclosed buzzer – 92db sound at 3 feet
- Operating range 3-6VDC, 8-16 VAC, 1 Amp draw
- Aluminum powder coat finish
- Includes mounting hardware

Price:

270 \$15.00



272 – BELL

- 100 db sound at 3 feet – 2-1/2" open bell
- Operating range 3-6VDC, 8-16 VAC, 1 Amp draw
- Aluminum powder coat finish
- Includes mounting hardware

Price:

272 \$17.00



274 – BELL

- 100 db sound at 3 feet – 4" open bell
- Operating range 3-6VDC, 8-16 VAC, 1 Amp draw
- Aluminum powder coat finish
- Includes mounting hardware

Price:

274 \$19.00



275 – ENCLOSED BELL

- 88 db at 3 feet
- Operating range: 3-8VDC, 1.4 Amp draw
- 6-8VAC, 0.7 Amp draw
- Grey finish – Includes mounting hardware

Price:

275 21.00



276 – ENCLOSED BELL & BUZZER

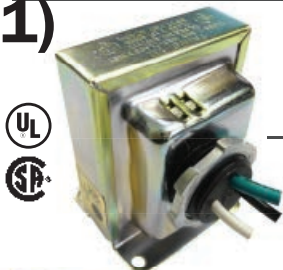
- 88 db at 3 feet
- Operating range: 3-8VDC, 1.4 Amp draw
- 6-8VAC, 0.7 Amp draw
- Grey finish – Includes mounting hardware

Price:

276 \$25.00

For electric strikes, bells, buzzers, chimes, and other low voltage devices. A complete line of U.L. Listed step down transformers. Easy to install, low voltage, 120AC primary for residential, commercial and industrial uses. Transformers will safely take themselves off line when they overheat. Transformers can be either base mounted or attached to standard knockouts on boxes or cabinets (except plug-in types.) All primary leads are pre-stripped for quick connection.

(1)

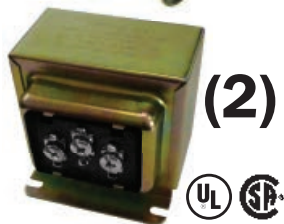


522 – (1) – LOCKNUT TYPE (AC)

- For standard 1/2" knockouts • 120 volt primary AC
- 2-5/32"D x 2-1/2"H x 2"W 8oz
- Electric Characteristics: **16VAC – 10VA – 0.625 AMPS**

Price:
522 \$16.00

(2)



525 – (2) – CLAMP ON TYPE/TRI VOLT (AC)

- Equipped with convenient screw-bracket mounting clamp for standard 1/2" knockouts
- 120 volt primary AC • 2-1/4"D x 2-3/16"H x 2-5/16"W 13oz
- Electric Characteristics: **8VAC – 10VA – 1.25 AMPS**
16VAC – 10VA – 0.62 AMPS
24VAC – 20VA – 0.83 AMPS

Price:
525 \$24.00

(3)



598 – (2) – CLAMP ON TYPE/TRI VOLT (AC)

- Equipped with convenient screw-bracket mounting clamp for standard 1/2" knockouts
- 120 volt primary AC • 2-15/16"D x 2-7/32"H x 2-11/32"W 11lb 6oz
- Electric Characteristics: **8VAC – 20VA – 2.50 AMPS**
16VAC – 30VA – 1.88 AMPS
24VAC – 30VA – 1.25 AMPS

Price:
598 \$27.00

599 – (2) – CLAMP ON TYPE (AC)

- Equipped with convenient screw-bracket mounting clamp for standard 1/2" knockouts
- 120 volt primary AC • 2-15/16"D x 2-3/16"H x 2-11/32"W 11lb 6oz
- Electric Characteristics: **8VAC – 20VA – 2.50 AMPS**
16VAC – 30VA – 1.88 AMPS
24VAC – 40VA – 1.65 AMPS

Price:
599 \$28.00

(4)



5201 – (3) – PLUG IN TYPE (AC)

- 120 volt primary AC • 2"D x 3"H x 2-1/2"W 7oz
- Electric Characteristics: **24VAC – 20VA – 0.834 AMPS**

Price:
5201 \$24.00

5203 – (3) – PLUG IN TYPE (AC)

- 120 volt primary AC • 2"D x 3"H x 2-1/2"W 7oz
- Electric Characteristics: **16VAC – 20VA – 1.250 AMPS**

Price:
5203 \$24.00

5204 – (3) – PLUG IN TYPE (AC)

- 120 volt primary AC • 2"D x 3"H x 2-1/2"W 7oz
- Electric Characteristics: **12VAC – 20VA – 1.667 AMPS**

Price:
5204 \$24.00

(5)



5205 – (4) – PLUG IN TYPE/TRI VOLT (AC)

- 120 volt primary AC • 2"D x 3"H x 2-1/2"W 7oz
- Electric Characteristics: **8VAC – 10VA – 1.25 AMPS**
16VAC – 10VA – 0.62 AMPS
24VAC – 20VA – 0.83 AMPS

Price:
5205 \$29.00

5208 – (5) – PLUG IN TYPE (DC)

- 120 volt primary AC, Corded output lead • 2"D x 3-1/4"H x 2-3/8"W 11lb 2oz
- Electric Characteristics: **12VDC – 12VA – 1.00 AMPS**

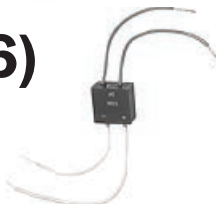
Price:
5208 \$31.00

5209 – (5) – PLUG IN TYPE (DC)

- 120 volt primary AC, Corded output lead • 2"D x 3-1/4"H x 2-3/8"W 11lb 2oz
- Electric Characteristics: **24VDC – 12VA – 0.50 AMPS**

Price:
5209 \$31.00

(6)



SR1 – (6) – SILICON RECTIFIER (SR-1) Not Recommended for 4850

- For converting AC voltage to DC voltage • For AC power supplies up to 27 volt AC 1 amp.
- Note: DC strikes do not buzz, click only • Size 1" x 1/2" x 1"
- Electric Characteristics: **12-27VAC – 1.00 AMPS**

Price:
SR1 \$25.00

Pushbuttons



PUSH BUTTONS MUST BE PURCHASED IN PACKS OF 10 UNLESS NOTED



JRP – Polished Solid Brass w/ black center 1-3/4" Body Diameter – for use up to 30 volts AC or DC	Price: JRP \$7.50
SRP – Polished Solid Brass w/ black center 2-1/4" Body Diameter – for use up to 30 volts AC or DC	Price: SRP \$8.00
45A – Silver Rim with Pearl Center 5/8" Body Diameter – for use up to 30 volts AC or DC	Price: 45A \$5.50
45G – Gold Rim with Pearl Center 5/8" Body Diameter – for use up to 30 volts AC or DC	Price: 45G \$5.50
45LA – Silver Rim with Lighted Pearl Center 5/8" Body Diameter – for use up to 16 volts AC or DC	Price: 45LA \$7.50
45LG – Gold Rim with Lighted Pearl Center 5/8" Body Diameter – for use up to 16 volts AC or DC	Price: 45LG \$7.50
65P – Weatherproof Polished Solid Brass 2-1/2" Body Diameter *Sold in single packs* for use up to 30 volts AC or DC go to trineonline.com for more info	Price: 65P \$49.00
66B – Black with White Bar Molded Plastic 2-3/4"L X 3/4"W X 5/8"H – for use up to 30 volts AC or DC	Price: 66B \$5.50
66C – Silver w/ White Bar Molded Plastic 2-3/4"L X 3/4"W X 5/8"H – for use up to 30volts AC or DC	Price: 66C \$5.50
66G – Gold w/ White Bar Plated Molded Plastic 2-3/4"L X 3/4"W X 5/8"H – for use up to 30 volts AC or DC	Price: 66G \$5.50
66W – White with White Bar Molded Plastic 2-3/4"L X 3/4"W X 5/8"H – for use up to 30 volts AC or DC	Price: 66W \$5.50
66LB – Lighted Black w/ White Bar Molded Plastic 2-3/4"L X 3/4"W X 5/8"H – for use up to 16 volts AC or DC	Price: 66LB \$8.50
66LC – Lighted Silver w/ White Bar Plated Molded Plastic 2-3/4"L X 3/4"W X 5/8"H – for use up to 16 volts AC or DC	Price: 66LC \$8.50
66LG – Lighted Gold w/ White Bar Plated Molded Plastic 2-3/4"L X 3/4"W X 5/8"H – for use up to 16 volts AC or DC	Price: 66LG \$8.50
66LW – Lighted White w/ White Bar Molded Plastic 2-3/4"L X 3/4"W X 5/8"H – for use up to 16 volts AC or DC	Price: 66LW \$8.50
71A – Anodized Aluminum Housing w/ Black Bar 2-3/4"L X 1"W X 3/4"H – for use up to 30 volts AC or DC	Price: 71A \$9.00
71DB – Dark Bronze Powder Coated Housing w/ Black Bar 2-3/4"L X 1"W X 3/4"H – for use up to 30 volts AC or DC	Price: 71DB \$9.00
71G – Anodized Brass Aluminum Housing w/ Black Bar 2-3/4"L X 1"W X 3/4"H – for use up to 30 volts AC or DC	Price: 71G \$9.00
71LA – Lighted Anodized Aluminum Housing w/ White Bar 2-3/4"L X 1"W X 3/4"H – for use up to 16 volts AC or DC	Price: 71LA \$10.00
71LDB – Dark Bronze Powder Coated Housing w/ White Bar 2-3/4"L X 1"W X 3/4"H – for use up to 16 volts AC or DC	Price: 71LDB \$10.00
71LG – Lighted Anodized Brass Aluminum Housing w/ White Bar 2-3/4"L X 1"W X 3/4"H – for use up to 16 volts AC or DC	Price: 71LG \$10.00
91P – Multi-Family, Polished Solid Brass Housing 4-3/4"L X 5/8"W X 3/4"H – for use up to 30 volts AC or DC *Must be ordered in 5 pack quantity	Price: 91P \$18.00
94P – 3-Button Multi-Family, Polished Solid Brass Housing 7"L X 5/8"W X 3/4"H – for use up to 30 volts AC or DC *Must be ordered in 5 pack quantity	Price: 94P \$20.00

Glossary



ALTERNATING CURRENT (AC)

An electric current that reverses direction in a circuit at regular intervals.

CONTINUOUS DUTY

A device that is designed to operate continuously without rest.

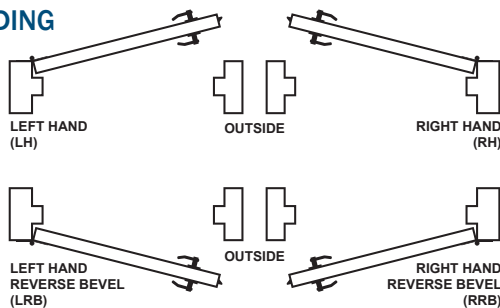
CURRENT

Measured flow of electrons through an electrical conductor. Normally measured in amperes.

DIRECT CURRENT

An electric current flowing in one direction.

DOOR HANDING



HANDING OF DOOR IS ALWAYS DETERMINED FROM THE OUTSIDE.

FAIL SAFE

A device that is normally open and locks when power is applied to the unit. Example: During a loss of power the device remains open. Often listed as "RS"

FAIL SECURE

A device that is normally closed or locked until power is applied. Example: During a loss of power the device remains locked.

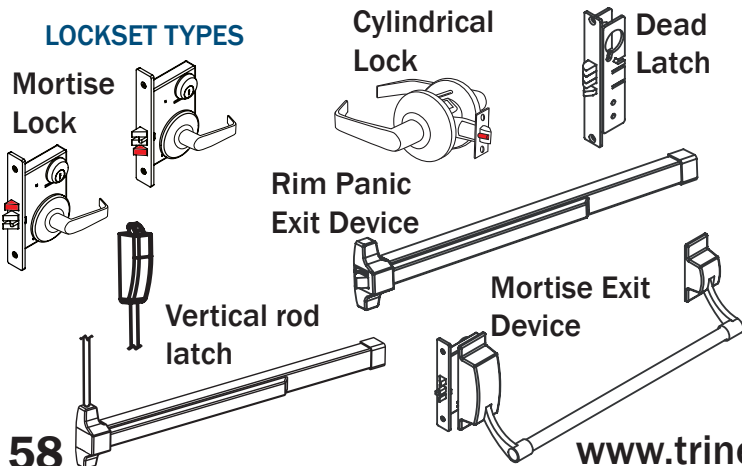
FUSE

A device that is placed in the path of energy that will break the circuit if the current becomes too great. This is accomplished by having a strip or metal that will melt when the current exceeds the required amount.

INTERMITTENT DUTY

A device that is designed to operate for a short period of time; generally less than 45 seconds.

LOCKSET TYPES



NORMALLY OPEN

The contacts of a switch or relay are normally open or not connected. When activated the contacts close or become connected. EXAMPLE: A switch is not depressed and the circuit is not complete.

NORMALLY CLOSED

The contacts of a switch or relay are normally closed or connected. When activated the contacts open or become disconnected. EXAMPLE: A switch is not depressed and the circuit is complete.

OHMS

The measure of resistance of an electrical device to resist the flow of energy.

RECTIFIER

A device that is commonly used to convert AC to DC. Commonly used to silence the audible sound that an electrical strike can make while energized on AC current.

RELAY

An electro-magnetic device activated by a variation in conditions in one electric circuit and controlling a larger current or actuating other devices in the same or another electric circuit.

STANDARD VOLTAGE

Electric door strike supplied with magnetic coils: 4-6VDC/8-16VAC. Electric door strikes supplied with a solenoid coil: 6-10VDC, 10-16VAC; other voltages available.

TRANSFORMER

A device consisting essentially of two or more coils of insulated wire that transfers alternating current by electro-magnetic induction from one winding to another at the same frequency, but usually with changed voltage & current.

VOLT

A unit of electric potential equal to the difference of electric potential between two points that have a resistance of one ohm and through which a current of one ampere is flowing.

VOLTAGE DROP?

We recommend the following wire sizes:

Wire Length	12V	24V
Up to 50 ft.	18 AWG	20 AWG
51-150 ft.	16 AWG	18 AWG
151-300 ft.	14 AWG	16 AWG
301-600 ft.	12 AWG	14 AWG

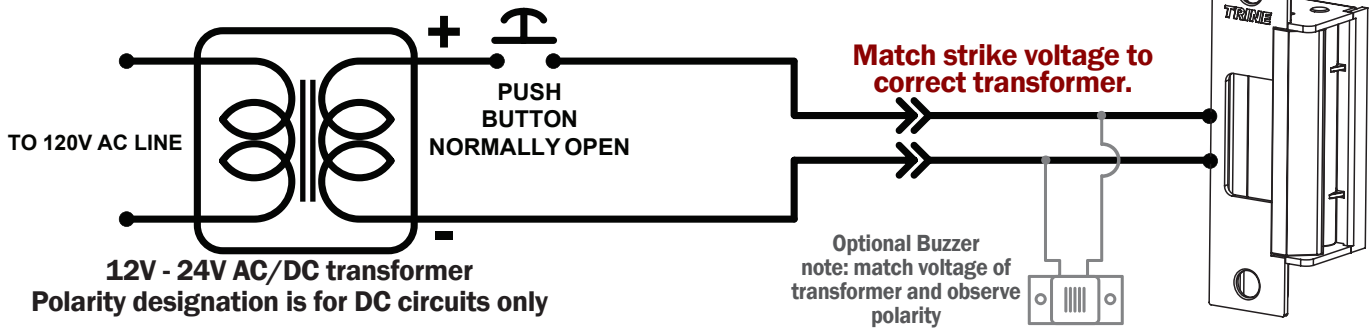
WATT

The power developed in a circuit by a current of one ampere flowing through a potential difference of one volt.

Simple Wiring Diagrams

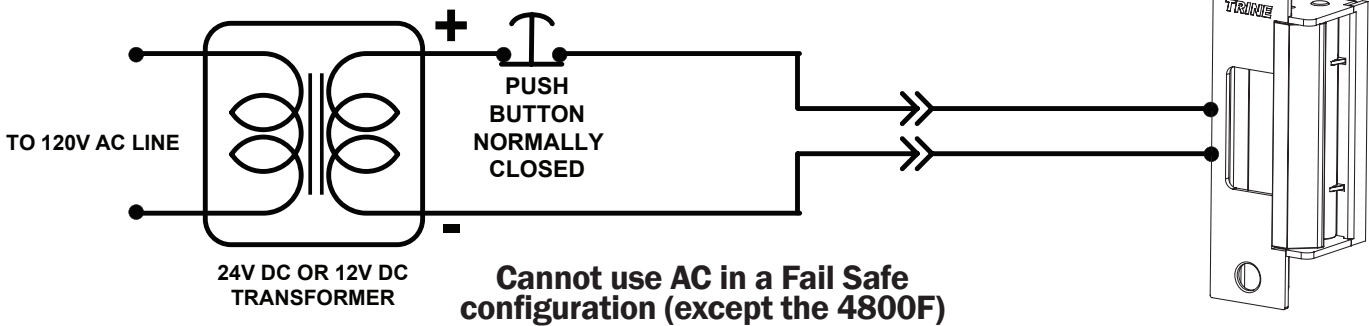
Fail Secure Electric Strike

Strike Unlocks With Power

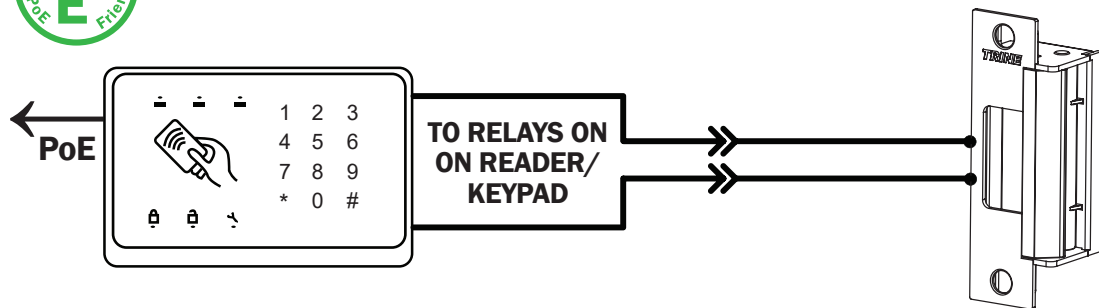


Fail Safe Electric Strike

Strike Locks With Power

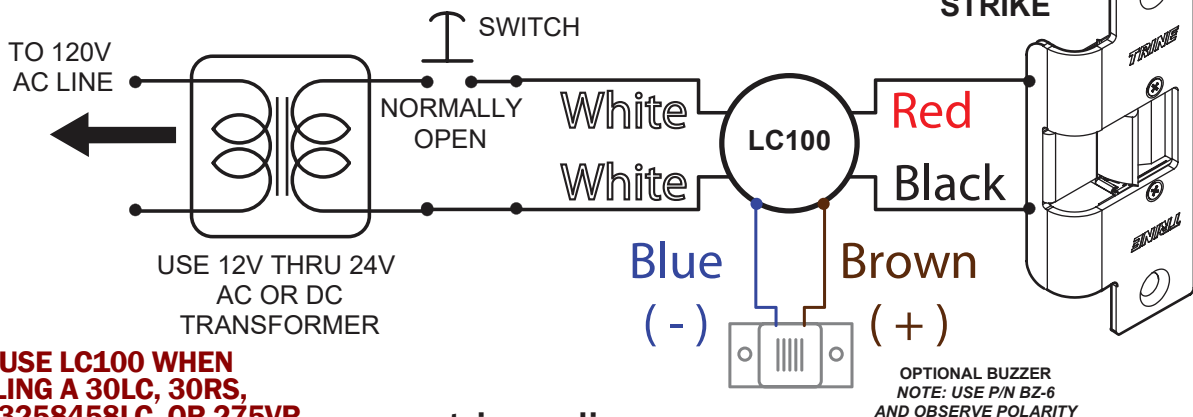


Powered from a PoE Device



Fail Secure 3000 Series with LC100

FAIL-SECURE STRIKE



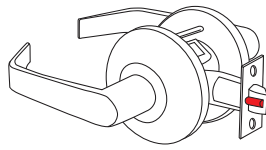
MUST USE LC100 WHEN INSTALLING A 30LC, 30RS, 323478LC, 3258458LC, OR 275VR

Strike Selector

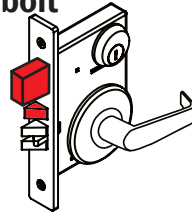


What lockset do you have?

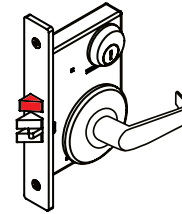
Cylindrical Lock



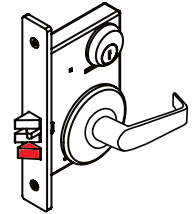
Mortise with a deadbolt



Mortise Lock



Mortise Lock



Your choice of electric strikes are:

A C F H I J K L M N

B

A F*

A C*

Fire Rated
Intertek

Burglary Rated

4100

A

NEW

SPECIALIZED SOLUTIONS
ELECTRIC STRIKE SERIES

Fire Rated
Intertek

Independently operated latches

4100DBDL

B

Burglary Rated

Removeable Fascia so you can color match the frame

4200

C

Surface Mount Strikes

4850, 4850PoE, 4850LCD

D

4800F, 4801

E

Compatible Door Frames

Wood

Hollow Metal Frame

Aluminum

Use the **4100RX** for **Raco®** frames (covers the extra 1/4" gap in the frame)

Wood

Hollow Metal Frame

Aluminum

Best strike for allowing deadbolt privacy with an override.

Wood

Aluminum

ONLY strike with Fascia Color Options -- Match the Fascia to your frame!

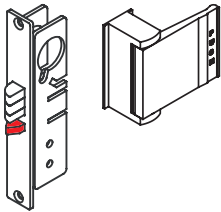
Wood

Hollow Metal Frame

Aluminum

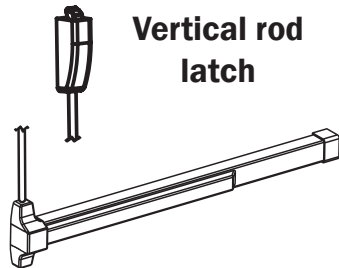
For wood frames use 2" long mounting screws.

Dead Latch



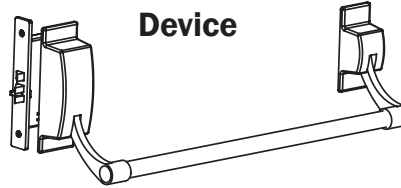
A C M N

Vertical rod latch



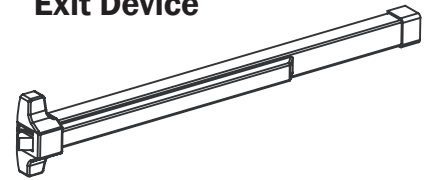
G

Mortise Exit Device



A F*

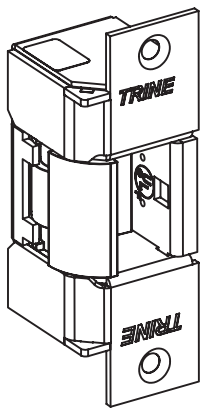
Rim Panic Exit Device



D E F



THE OUTDOOR SOLUTION FOR ELECTRIC STRIKES



400CMRP

F

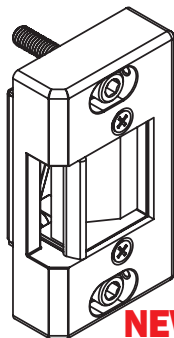
Smallest Electric Strike in the World

not recommended for use on exterior doors.

Compatible Strike Plates

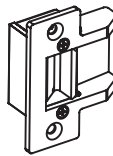
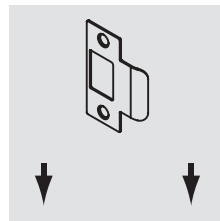
SPECIALIZED SOLUTIONS
ELECTRIC STRIKE SERIES

THE VERTICAL ROD LATCH SOLUTION



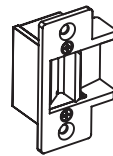
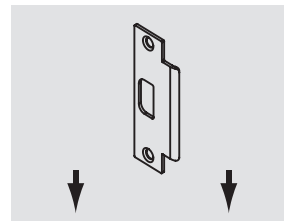
275VR

G



234X-375

I



234

J



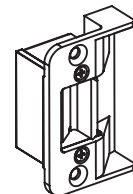
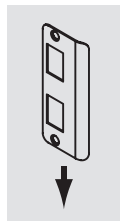
478X-375

K



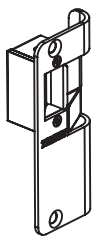
478

L



258, 258RD

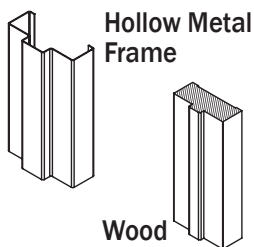
M



458

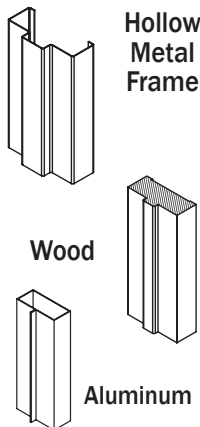
N

Compatible Door Frames

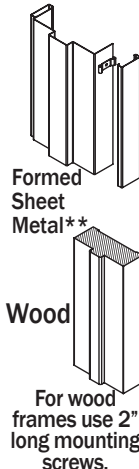


Great for Gates

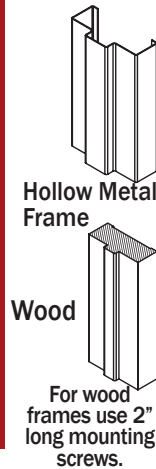
F* for use on offset mortise locks in outdoor situations see 430/435 on pg 28



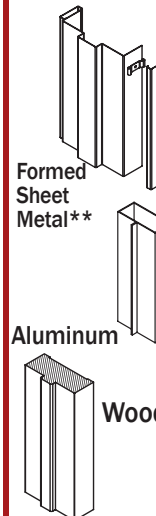
2-3/4" WIDE PLATE. FITS IN TIGHT SPOTS IN THE HEADER



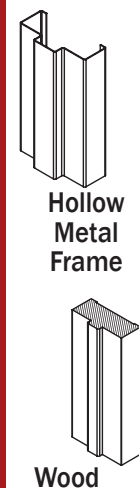
*EXAMPLE: PRE-FINISHED STEEL DOOR FRAMES LIKE TIMELY AND REDI-FRAME WITH SNAP-ON TRIMS.



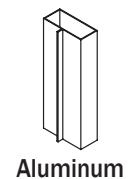
For wood frames use 2" long mounting screws.



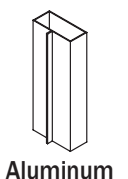
For wood frames use 2" long mounting screws.



For wood frames use 2" long mounting screws.



Aluminum



Aluminum

CONDITIONS OF SALE

Distributors and Other Commercial Customers

Note: The following Conditions of Sale are subject to change: All Sales Transactions are subject to the latest published Conditions of Sale of the Trine Access Technology Corporation and to any Special Conditions of Sale which may be contained in applicable Trine quotations and acknowledgements. Modified product warranties are provided to consumers.

1. ACCEPTANCE, GOVERNING PROVISIONS AND CANCELLATIONS. No order for Trine Access Technology or services shall be binding upon Trine until accepted by a writing of an authorized official of Trine or by shipment or other performance of such order. Any such order shall be subject to these Conditions of Sale, and acceptance shall be expressly conditioned on assent to such Conditions, which assent shall be deemed given unless purchaser shall expressly notify Trine to the contrary prior to the earlier of any shipment or other performance of an order by Trine or within five (5) days after purchaser's receipt of any acknowledgement or confirmation of such order. Trine expressly reserves the right to reject and withdraw acceptance of any order.

No order accepted by Trine may be altered or modified by purchaser unless agreed to in a writing signed by an authorized official of Trine; and no such order may be cancelled or terminated except upon payment of Trine's loss, damage and expense arising from such cancellation or termination. These Conditions of Sale may not be supplemented or modified by course of dealing, course of performance or any oral communication between the parties. No modified or other conditions will be recognized by Trine unless specifically agreed to in writing and failure of Trine to object to provisions contained in any purchase order or other communication from a purchaser (including, without limitation, penalty clauses of any kind) shall not be construed as a waiver of these Conditions nor an acceptance of any such provisions.

Unless otherwise agreed in writing by a duly authorized representative of Trine, products sold hereunder are not intended for use or in connection with a nuclear facility or activity. If so used, Trine disclaims all liability for any nuclear damage, injury or contamination, and purchaser shall indemnify Trine against any such liability, whether as a result of breach of contract, warranty, tort (including negligence) or otherwise. Any contract for sale and these Conditions shall be governed by and construed according to the laws of the State of Connecticut. Any dispute arising out of or relating to these Conditions of Sale or any matter relating hereto shall be brought in the federal or state courts sitting in or for the Bethel, Connecticut, and the parties waive any objection they may have to the jurisdiction or subject matter of these courts.

2. QUOTATIONS AND PRICES. Written quotations are conditioned upon acceptance by purchaser within thirty (30) days from the date issued and shall be considered as offers by Trine to sell during such thirty (30) day period on these Conditions of Sale unless sooner terminated by notice. Other Trine publications are maintained as sources of general information and are not quotations or offers to sell.

All clerical errors are subject to correction.

MINIMUM ORDER: \$100.00 Net. DROP SHIP FEE: Trine reserves the right to charge a fixed fee of \$10.00 for shipping to an address other than customers.

All prices are subject to change without notice. In the event of a net price change, the price of equipment on order but unshipped will be adjusted to the price in effect at the time of shipment. Downward adjustment of prices shall apply only to unshipped portions of outstanding orders.

3. PAYMENT TERMS. Unless otherwise agreed by Trine, terms of payment for Trine products to purchasers of satisfactory credit are either (1) a 1% cash discount for all invoices paid in full if the payment is received by Trine within 10 days after the date of Trine's invoice or (2) full payment to be received by Trine within 30 days after the date of Trine's invoice. Applicable terms of payment are stated in quotations or on the discount sheet for the product involved. Cash discount will apply only to the net amount of the invoice after transportation charges and taxes. A late charge of 1% per month or the maximum amount permitted by law will be applied to all past due amounts.

Trine reserves the right at any time to demand full or partial payment before proceeding with a contract of sale if, in its judgment, the financial condition of purchaser shall not justify the terms of payment specified. If delivery is delayed or deferred by purchaser beyond the scheduled date, payment shall be due in full when Trine is prepared to ship and the products may be stored at the risk and expense of purchaser. If purchaser defaults when any payment is due, then the whole contract price shall become due and payable upon demand, or Trine, at its option, without prejudice to other lawful remedies, may defer delivery or cancel the contract for sale.

4. TAXES AND OTHER CHARGES. Any manufacturer's tax, retailer's occupation tax, use tax, sales tax, excise tax (except the Federal excise tax on vehicles), duty, custom, inspection or testing fee, or other tax, fee or charge of any nature whatsoever, imposed by any governmental authority, on or measured by any transaction between Trine and purchaser, shall be paid by purchaser in addition to the prices quoted or invoiced. In the event Trine shall be required to pay any such tax, fee or charges, purchaser shall reimburse Trine therefore; or, in lieu of such payment, purchaser shall provide Trine at the time the order is submitted with an exemption certificate or other document acceptable to the authority imposing the same. Purchase orders must state the existence and amount of any such tax, fee or charge which it shall be Trine's responsibility to collect from purchaser and pay.

5. DELIVERY. Delivery of products to a carrier at any Trine facility or other shipping point shall constitute delivery to purchaser; and, regardless of freight payment, title and all risk of loss or damage in transit shall pass to purchaser at that time. Trine cannot be held responsible for breakage after having received "in good order" receipts from the transportation company. All claims for loss and damage must be made by purchaser to the carrier. Claims for shortages or other errors must be made in writing to Trine within 15 days after receipt of shipment, and failure to give such notice shall constitute unqualified acceptance and a waiver of such claims by purchaser. Unless otherwise agreed by Trine in quotations, discount schedules, catalogs or other Trine publications, all expenses of freight FOB Trine's place of shipment shall be borne by purchaser. No allowance will be made in lieu of transportation if purchaser accepts shipment at factory, warehouse, freight station, or otherwise supplies its own transportation. Method and route of shipment will be at the discretion of Trine unless purchaser shall specify otherwise, and any additional expense of the method or route of shipment specified by purchaser shall be borne by purchaser. Trine reserves the right to make delivery in installments, unless otherwise expressly stipulated in the contract for sale; and all such installments when separately invoiced shall be paid for when due per invoice, without regard to subsequent deliveries. Delay in delivery of any installment shall not relieve purchaser of its obligations to accept remaining deliveries.

6. SUBSTITUTES. Trine may furnish suitable substitutes for materials unobtainable because of priorities or regulations established by governmental authority or non-availability of materials from suppliers, and assumes no liability for deviation from published dimensions and descriptive information not essential to proper performance of the products.

7. WARRANTIES TO DISTRIBUTORS AND OTHER COMMERCIAL CUSTOMERS. Trine warrants products manufactured by it to be free from defects in materials and workmanship for a period of one (1) year from date of shipment by Trine, except for all Axion (R) labeled products which are covered for two (2) years from date of shipment by Trine. If within such period any such products shall be proved to Trine's satisfaction to be so defective, such products shall be repaired or replaced at Trine's option. This warranty shall not apply (a) to products not manufactured by Trine, (b) to products which shall have been repaired or altered by other than Trine so as, in its judgment, to affect the same adversely, or (c) to equipment which shall have been subjected to negligence, accident or damage by circumstances beyond Trine's control, or to improper operation, maintenance or storage, or to other than normal use or service. With respect to products not manufactured by Trine, the warranty obligations of Trine shall in all respect conform and be limited to the warranty actually extended to Trine by its supplier. The foregoing warranties do not cover reimbursement for transportation, removal, installation, or other expenses which may be incurred in connection with repair or replacement. Except as may be expressly provided in an authorized writing by Trine, Trine shall not be subject to any other obligations or liabilities whatsoever with respect to products manufactured by Trine or services rendered by Trine.

THE FOREGOING WARRANTIES ARE EXCLUSIVE AND IN LIEU OF ALL OTHER EXPRESS AND IMPLIED WARRANTIES, INCLUDING WITHOUT LIMITATION TITLE, MERCHANTABILITY AND FITNESS FOR A PARTICULAR PURPOSE.

8. LIMITATION OF LIABILITY. Anything to the contrary herein contained notwithstanding, TRINE ACCESS TECHNOLOGY, ITS CONTRACTORS AND SUPPLIERS OF ANY TIER SHALL NOT BE LIABLE IN CONTRACT, IN TORT (INCLUDING NEGLIGENCE OR STRICT LIABILITY) OR OTHERWISE FOR ANY SPECIAL, INDIRECT, INCIDENTAL CONSEQUENTIAL, PUNITIVE, OR EXEMPLARY DAMAGES WHATSOEVER. The remedies of the purchaser set forth herein are exclusive where so stated and the total cumulative liability of Trine, its contractors and suppliers of any tier, with respect to this contract or anything done in connection therewith, such as the use of any product covered by or furnished under the contract, whether in contract, in tort (including negligence or strict liability) or otherwise, shall not exceed the price of the product or part on which such liability is based. Further, any claim purchaser may have with reference to Trine products or services sold or provided hereunder shall be deemed waived by purchaser unless asserted against Trine in writing within 90 days from the date the purchaser discovered, or should have discovered, the basis for the claim.

9. RETURN OF EQUIPMENT. No products may be returned without first obtaining Trine's written permission and a returned goods authorization number. Trine shall issue a credit to purchaser for returned goods, subject to the terms of this paragraph, and purchaser will not be entitled to any other form of reimbursement for returns. Products accepted for credit, not involving a Trine error, shall be subjected to a minimum service charge of \$25.00, or a charge of 20% of invoice, whichever is greater, plus all transportation charges incurred by Trine. THE MINIMUM RESTOCKING CHARGE IS \$25.00. Returned products must be securely packed to reach Trine without damage, any cost incurred by Trine to put the products in first class condition will be charged to purchaser.

10. PATENTS. As to products sold to purchaser by Trine, Trine shall defend any suit or proceeding brought against purchaser so far as based on a claim that said products constitute an infringement of any patent of the United States, if notified promptly in writing and given authority, information and assistance at Trine's expense for the defense of the same. In the event of a final award of costs and damages, Trine shall pay such award. In the event the use of said products by purchaser is enjoined in such a suit, Trine shall, at its own expense, either (a) procure for purchaser the right to continue using said products, (b) modify said equipment to render them non-infringing, (c) replace said products with non-infringing products, or (d) refund the purchase price (less depreciation) and the transportation and installation costs of said products. Trine will not be responsible for any compromise or settlement made without its written consent. The foregoing states the entire liability of Trine for patent infringement, and in no event shall Trine be liable if the infringement charge is based on the use of Trine products for a purpose other than that for which sold by Trine, any alteration to the Trine products or the use of the Trine products with any other product or service not manufactured by Trine. As to any products furnished by Trine to purchaser and manufactured in accordance with designs provided by purchaser, purchaser shall defend, indemnify and hold harmless Trine against any award made against Trine for patent, trademark, or copyright infringement.

11. PATTERNS AND TOOLS. Notice will be given if special patterns or tools are required to complete any order. Charges for such patterns or tools do not convey title thereto or the right to remove them from Trine's plant. If patterns or tools are not used for a period of two years, Trine shall have the right to scrap them without notice.

12. FORCE MAJEURE. Trine shall not be liable in damages or otherwise for delay in shipment or default in delivery for any reason of force majeure or for any cause beyond Trine's reasonable control including, but not limited to (a) an act of nature; (b) government action, war, riots, civil commotion, embargoes or martial laws, (c) Trine's inability to obtain necessary materials from its usual sources of supply, (d) shortage of labor, raw material, production or transportation facilities or other delays in transit, (e) other contingencies of manufacture or shipment. In the event of any delay in Trine's performance due in whole or in part to any cause beyond Trine's reasonable control, Trine shall have such additional time for performance as may be reasonably necessary under the circumstances. Acceptance by purchaser of any goods shall constitute a waiver by purchaser of any claim for damages on account of any delay in delivery of such goods.



Cross Reference Chart for Premium Electric Strikes

TRINE	Folger Adams	H.E.S.	Von Duprin	Adams Rite	RCI
4200	----	5000	4200 5100	7100 7400	4 Series 6 Series
4100	---- 712/712-75/732 732-75/642CYL ^Φ	4500 1006 ^Φ	6400 ^Φ 6211/6211WF ^Φ	---- 7200 ^Φ	---- 2164 ^Φ
4100DBDL	----	1006CDB [≠]	6400 [≠]	----	F2 Series [≠]
4850	----	9400 ^Δ , 9600	----	----	0563
4800F	----	9500, 9600	6300	----	0162F
4801	712/712-75/732 732-75/642CYL	9700	----	----	----
EN400		1006J/7501	6211/6211WF	7200	2114/F4114*
EN430	652SYL	1006KD	6210	----	2134/2334
EN435	652RFL	1006K	6210	----	2124
EN800**	310-4	7000-783S**	6112	74R1	0161
EN850**	310-4	7000-789S**	----	74R2	----
EN950	310-2	7505	6215/6226	----	----
EN950W	310-2W	----	----	----	----
EN960	310-2 3/4	----	6214/6224	----	----
323478LC	----	----	----	----	----
234 ∂	----	----	----	----	----
258‡ ∂	----	----	----	----	----
458Ω ∂	----	----	----	----	----
478‡ ∂	----	5000/5200+501	----	7400+	L6514+
478RD‡ ∂	----	5000/5200+501"A"	----	7401+	L6504+

- ≠ DBDL for night latch function only. Competition does not have independent latches to allow for levels of override.
- + Strike has 1 1/16" backset vs. 1" backset for 3000 Series.
- Ω Requires 80% less cutting of frame. Fills the frame preparation of the Adams Rite MS Locks without the need To relocate tabs for 6 5/8" or 6 7/8" electric strikes.
- ‡ Requires 60% less frame face cutting other than models listed.
- Δ 9400 backplate means it can only handle up to a 1/2" throw – The 4850 can take up to a 1" throw.
- * UL 90 Minute Fire Rated
- ** All Stainless Steel construction, not fire rated.
- Φ Not a shallow (1 3/8") backset – cannot be used in 2" fire rated frames with 1/2" sheetrock ingress
- ∂ Number is for the Faceplate – use with a 3012, 3024, 30LC, or 30RS Mechanism, see pg 29 for more details.

NOTE: There may be variations in physical size or electrical characteristics between manufacturers. Information in the above chart based on manufacturers' catalogs and reference should be made to manufacturer's catalog for complete detail comparisons.



TRINE
ACCESS TECHNOLOGY®

Trine Access Technology
2 Parklawn Drive, Suite F
Bethel, CT 06801

PH: 203-730-1756 || FX:203-730-1781
www.trineonline.com

Effective Date Apr 1, 2017