



# Glass Bead Shim Kit

# VON DUPRIN®

941914-00

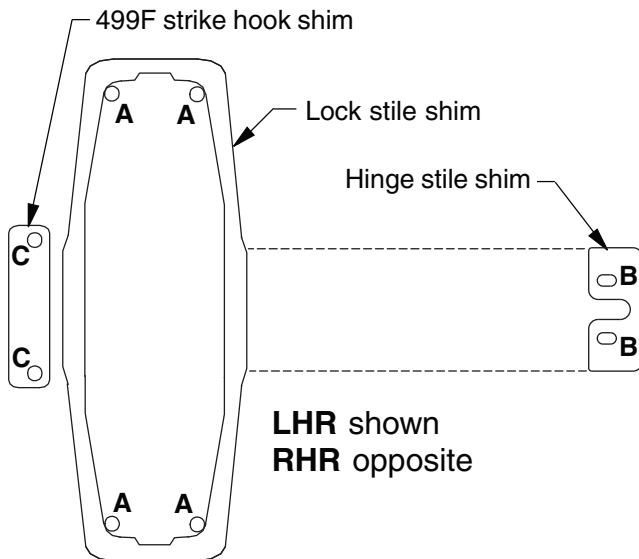
For XP98-F/XP99-F (954 Strike),  
22-F & 98/99-F (499F Strike)

Installation Instructions

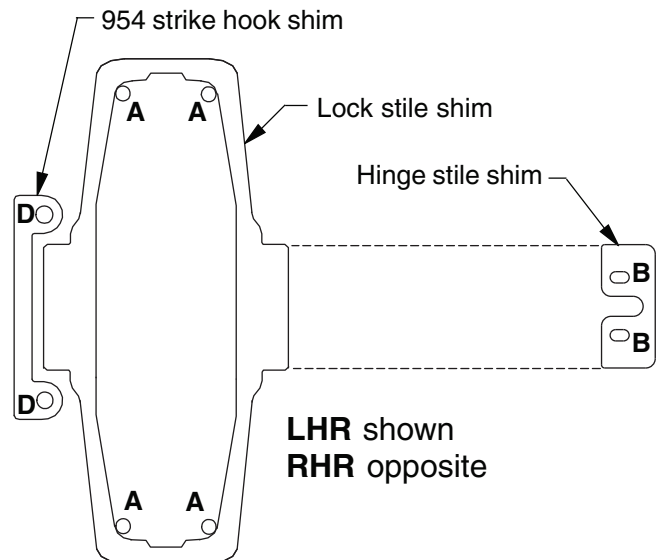
1. Prepare inside face of door per device installation instructions.
2. Insert shims between the device and door (Figure 1).  
**Note:** Shims are handed and flipped for RH or LH application.
3. Secure device and strike hook with screws provided in this kit, see chart below.
4. See "Mullion Strike Hole Location" on back of sheet.

Screw size & type	QTY	Application	1-3/4" door	2-1/4" door
<b>A</b>	#10-24 x 1-1/8" PPHMS	4	Surface & sex bolts	✓
	#10-24 x 1-1/2" PPHMS	4	990 trims	✓
	#10-24 x 1-3/4" PPHMS	4	Surface & sex bolts	✓
	#10-24 x 2" PPHMS	4	990 trims	✓
<b>B</b>	#10-24 x 1" PPHMS	2	Surface - All metal doors	✓
	#10-16 x 1-1/4" PPHSMS	2	Surface - Solid wood doors	✓
	#10-24 x 1" PPHMS	2	Sex bolts	✓
	#10-24 x 1-1/2" PPHMS	2	Sex bolts	✓
<b>C</b>	#10-24 x 1" OPHMS	2	Surface & sex bolts	✓
	#10-24 x 1-1/2" OPHMS	2	Surface & sex bolts	✓
<b>D</b>	1/4"-20 x 1" OPHMS	2	Surface & sex bolts	✓
	1/4"-20 x 1-1/2" OPHMS	2	Surface & sex bolts	✓

### 98/99-F (499F Strike)



### XP98-F/XP99-F (954 Strike)



For 22 series device, see back side of sheet

DISTRIBUTED BY

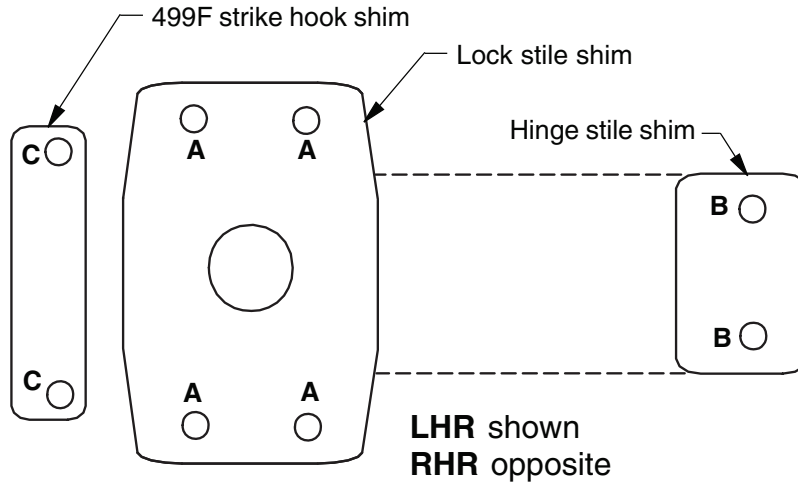


Customer Service

1-877-671-7011 www.allegion.com/us

© Allegion 2014  
Printed in U.S.A.  
941914-00 Rev. 06/14-b

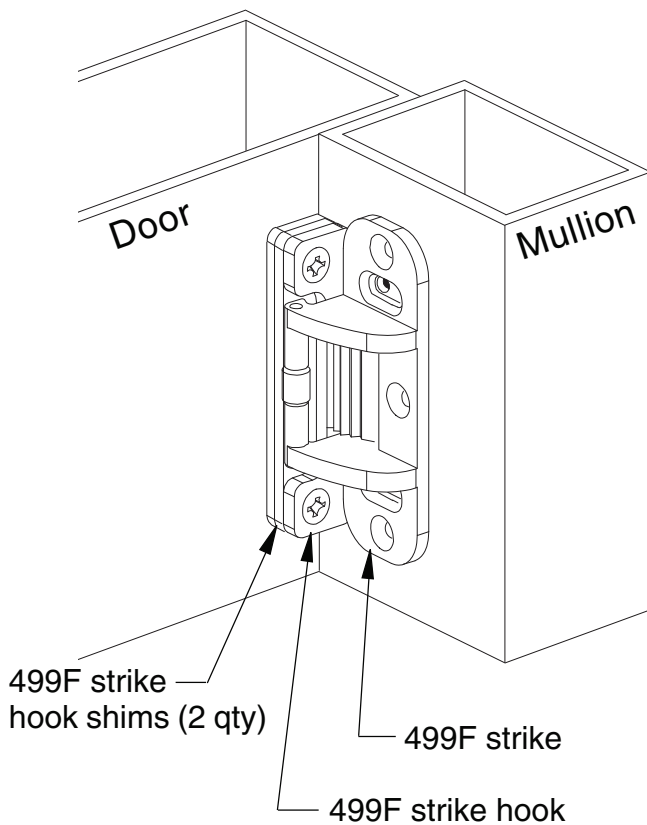
## 22-F (499F Strike)



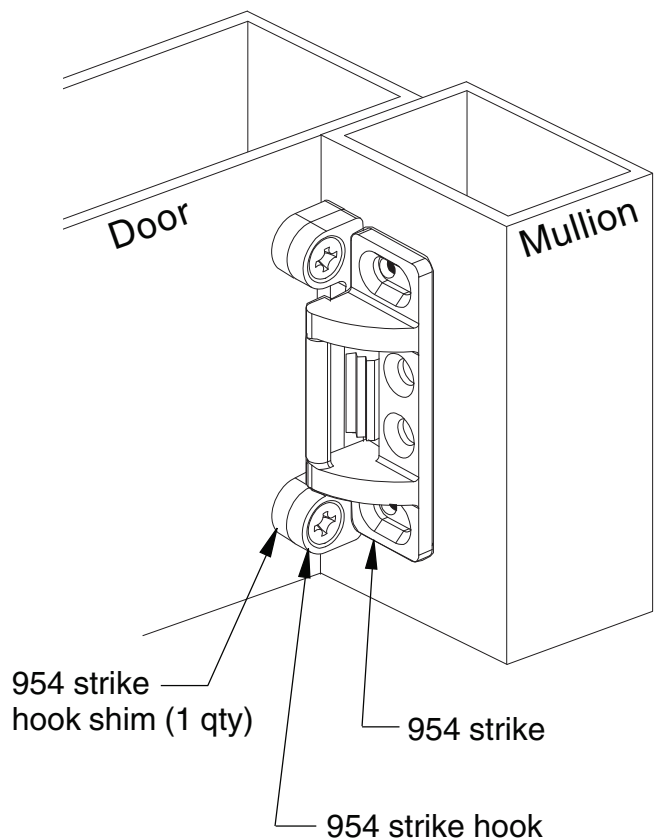
## Mullion Strike Hole Location

**Note:** Pre-drilled mounting holes in mullion will need to be relocated. Align strike hook and strike as shown below and prepare new holes.

### 499F strike



### 954 strike



DISTRIBUTED BY

