

INSTALLATION INSTRUCTIONS FOR SMLS/SMSS

Surface Mount Lock Shear & Surface Mount Strike Shear

1. INTRODUCTION

Securitron's model SMLS and SMSS are accessory mounting brackets designed to provide optional surface mounting of the SAM (Shear Aligning Magnalock). The SMLS assembly consists of a two-part housing and associated hardware for the surface mount of the (SAM) Magnalock body. The SMSS assembly includes the housing and hardware for the surface mount of the (SAM) strike armature. The SMLSM and SMSSM are the metric versions of these same brackets. These custom brackets allow the Magnalock body and/or the strike armature to be mounted in a wide variety of configurations while maintaining the integrity and holding force of the SAM.

2. SPECIFICATIONS

SMLS (& SMLSM):

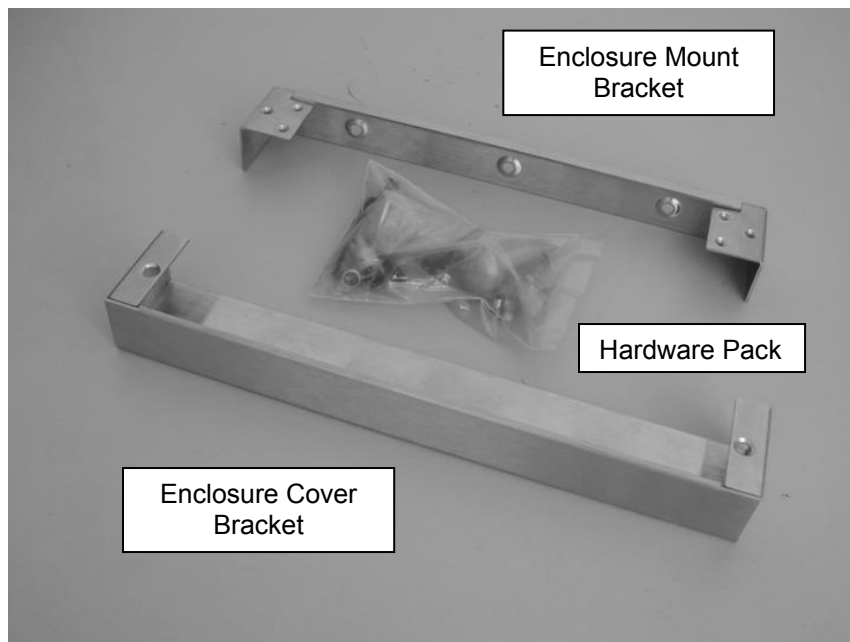
Dimensions: 12.40" X 2.13" X 1.45"
(314.9mm X 54.1mm X 36.8mm)

SMSS (& SMSSM):

Dimensions: 12.40" X 2.13" X 1.45"
(314.9mm X 54.1mm X 36.8mm)

3. PRODUCT OVERVIEW

Upon unpacking this product, an inventory should be made to ensure that all the required components and hardware have been included. Along with these instructions, this product should include the following items:



(A complete list of all included parts is provided in Sections 5.2 and 5.3 of these instructions).

4. RECOMMENDED TOOLS

Drill Motor

Drill Bit: 3/8" [9.5mm]

Screwdrivers: Phillips and Standard

Measuring Tool (ruler or tape measure)

Hex (Allen) Wrenches: 1/8" (provided in Metric Hardware Pack), 5/32" [4mm] and 3/16"

Blind Nut Installation Tool (provided with SMSS/SMSSM only)

5. INSTALLATION INSTRUCTIONS

5.1. Pre-Installation Survey/Assessment

Due to the wide variety of mounting configurations available with these products, it is strongly recommended that an initial survey and assessment be made of the physical area to which the Magnalock will be installed. A determination of the optimal method of mounting should be made prior to installation. The SAM Lock, which these brackets are intended to be used with, is considered as primarily an access control device and thus will normally be installed on the "secure" side of the door. Therefore, protection of the lock from external attack or vandalism is not generally a concern. Structural integrity of the mounting surface, convenience and accessibility should be considered however, and the assembly should be installed in a location that will not hinder or create a potential safety hazard to authorized personnel routinely accessing the area.

5.2. Magnalock Installation using SMLS/SMLSM

Figure 1 below is an exploded illustration of the general SAM lock mounting configuration available using the hardware provided:

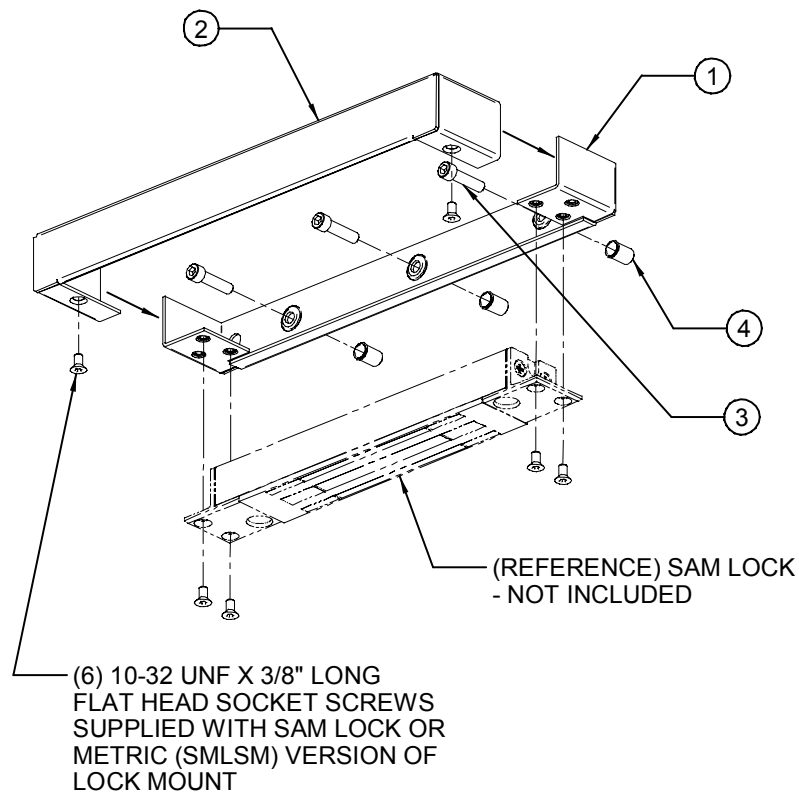


Figure 1

Note: The items represented by the phantom/dashed lines are for reference only – the SAM Magnalock and its associated hardware are NOT included with this product.

U.S. Standard:

ITEM	QTY	PART NUMBER	NOMENCLATURE/DESCRIPTION
1	1	370-14100	Lock/Strike Mounting Bracket
2	1	370-14120	Lock/Strike Bracket Cover
3	3	300-12400	1/4-20 UNC X 1" Long Socket Head Cap Screw
4	3	320-10800	1/4-20 UNC Blind Nut, 1-Piece, Steel

Metric:

ITEM	QTY	PART NUMBER	NOMENCLATURE/DESCRIPTION
1	1	370-14100	Lock/Strike Mounting Bracket
2	1	370-14120	Lock/Strike Bracket Cover
3	3	300-12390	M6-1.0 X 25MM Long Button Head Socket Cap Screw
4	3	320-11050	M6-1.0 Blind Nut, 1-Piece, Steel
5	6	300-12160	10-32 UNF X 3/8" Long Flat Head Socket Screw
6	1	350-10250	Hex Wrench, 1/8"

5.3. Strike Armature Installation using SMSS/SMSSM

Figure 2 below is an exploded illustration of the general strike armature mounting configuration available using the hardware provided:

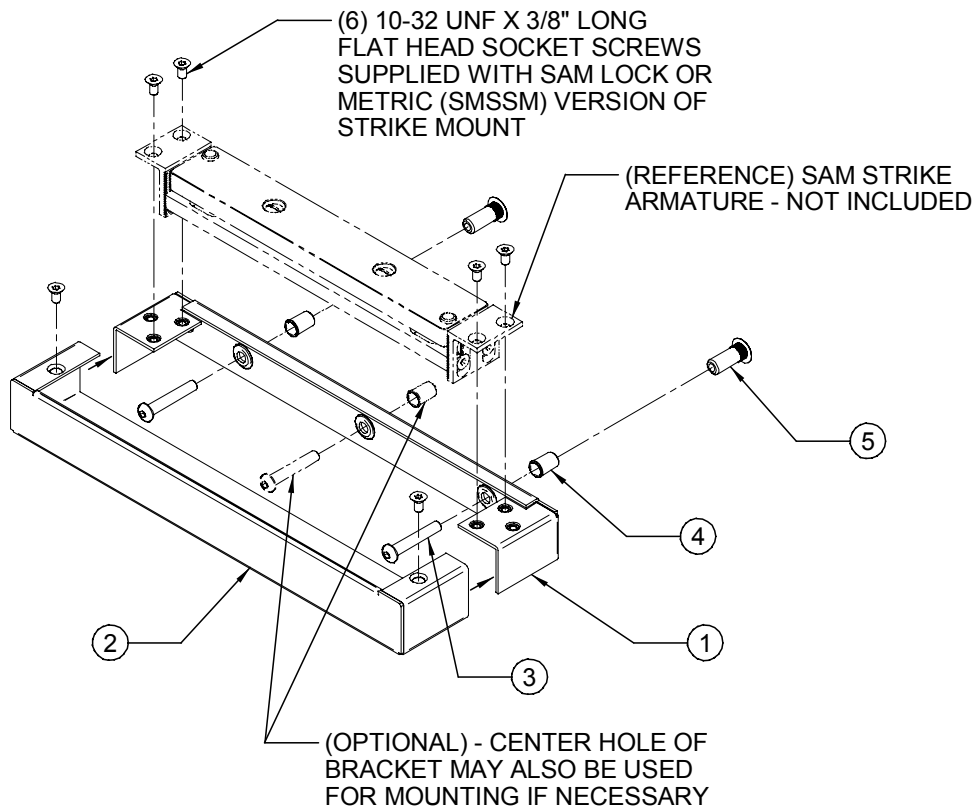


Figure 2

Note: The items represented by the phantom/dashed lines are for reference only – the SAM Strike Armature and its associated hardware are NOT included with this product.

U.S. Standard:

ITEM	QTY	PART NUMBER	NOMENCLATURE/DESCRIPTION
1	1	370-14100	Lock/Strike Mounting Bracket
2	1	370-14120	Lock/Strike Bracket Cover
3	3	300-12417	1/4-20 UNC X 1-1/2" Long Button Head Socket Cap Screw
4	2	320-10800	1/4-20 UNC Blind Nut, 1-Piece, Steel
5	2	330-12100	Sex Bolt, 1/4-20 UNC X 1" Long, Steel

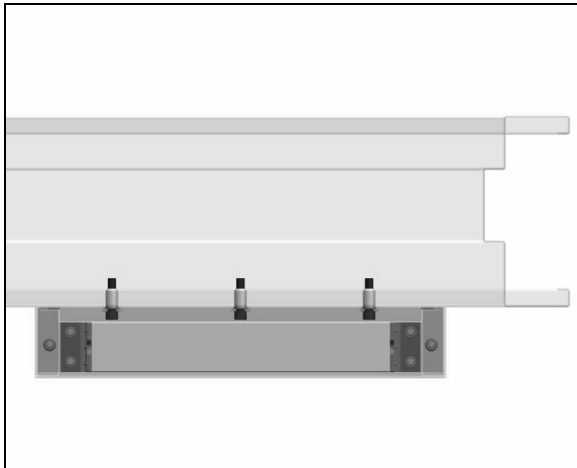
Metric:

ITEM	QTY	PART NUMBER	NOMENCLATURE/DESCRIPTION
1	1	370-14100	Lock/Strike Mounting Bracket
2	1	370-14120	Lock/Strike Bracket Cover
3	3	300-12432	M6-1.0 X 40MM Long Button Head Socket Cap Screw
4	2	320-11050	M6-1.0 Blind Nut, 1-Piece, Steel
5	2	330-12150	Sex Bolt, M6-1.0 X 25MM Long, Steel
6	6	300-12160	10-32 UNF X 3/8" Long Flat Head Socket Screw
7	1	350-10250	Hex Wrench, 1/8"

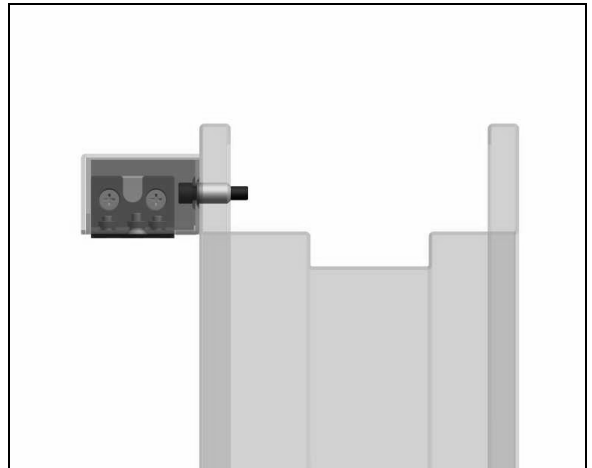
5.3.1.SMLS (Lock) Bracket Installation

This section will provide step-by-step installation instructions for the option of mounting the SAM Magnalock body using the SMLS bracket.

The following illustrations display installation of the SAM Magnalock body in the SMLS bracket configuration and show examples of some typical swinging door applications:



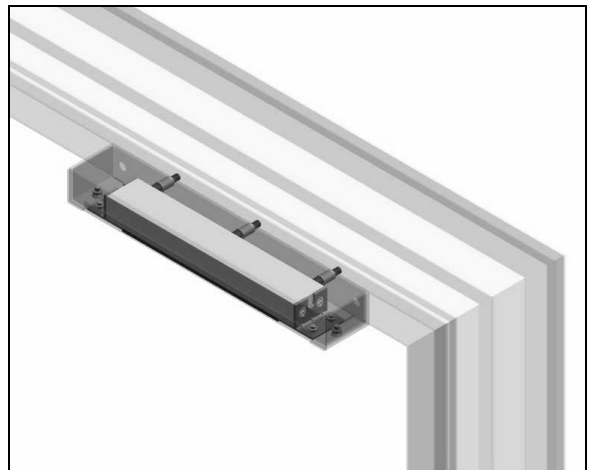
Top View (Hollow Steel Frame)



Side View (Hollow Steel Frame)



Front View (Hollow Steel Frame)



Isometric View of Installation

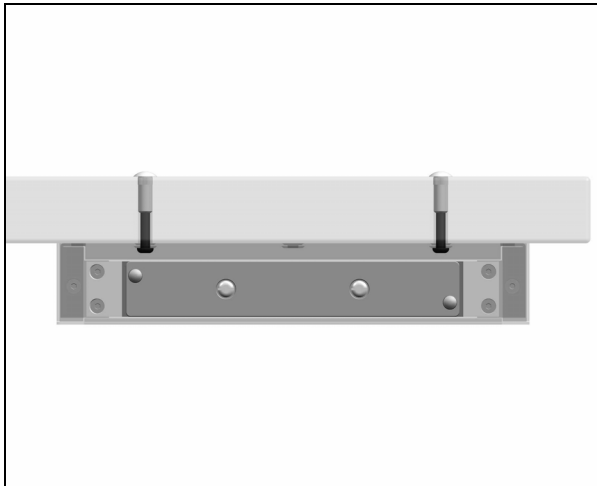
Magnalock Body:

1. Place the SMLS/SMLSM mounting bracket (Item #1) into position on frame at mounting location. Using the bracket as a template, mark the three (3) (dimpled) hole locations for mounting. Also select and mark one of the end hole locations for the Magnalock power cable.
2. Drill three (3) 3/8" [9.5mm] diameter holes into door frame mounting surface (for blind nuts).
3. Drill one (1) 3/8" [9.5mm] diameter hole for the lock power cable through the door frame at the desired end of the bracket.
4. Using a blind nut installation tool, install the three (3) steel blind nuts (Item #4).
5. Install the bracket (Item #1) using the three (3) socket head screws (Item #3). Tighten the screws firmly using a 3/16" or 4mm hex (Allen) wrench.
6. Orient Magnalock body into bracket (routing the power cable through the previously drilled hole) and mount lock to bracket using the hardware supplied with the lock. Tighten the screws of the assembly using a 1/8" hex wrench.
7. Run power cable to electrical terminal connection as required.
8. Slide the bracket cover (Item #2) into place over the bracket and using a 1/8" hex wrench, install the two (2) 10-32 UNF x 3/8" long flat head socket screws to secure the cover.

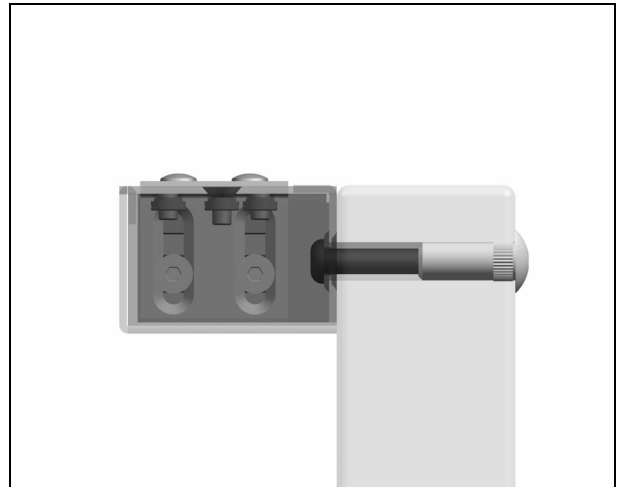
5.3.2. SMSS (Strike) Bracket Installation

This section will provide step-by-step installation instructions for the option of mounting the SAM strike armature using the SMSS bracket.

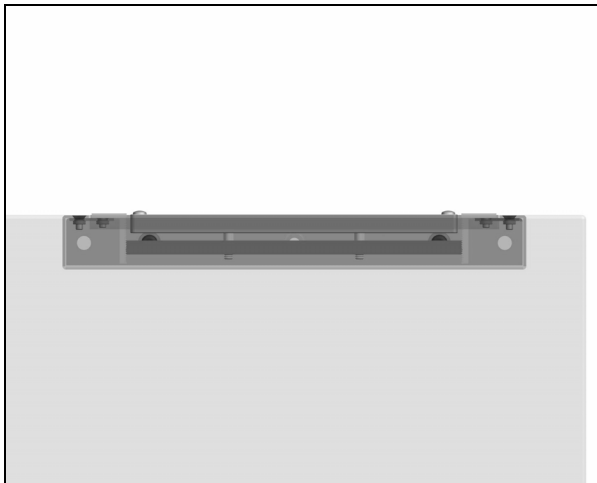
The following illustrations display installation of the SAM strike armature in the SMSS bracket configuration and show examples of some typical swinging door applications:



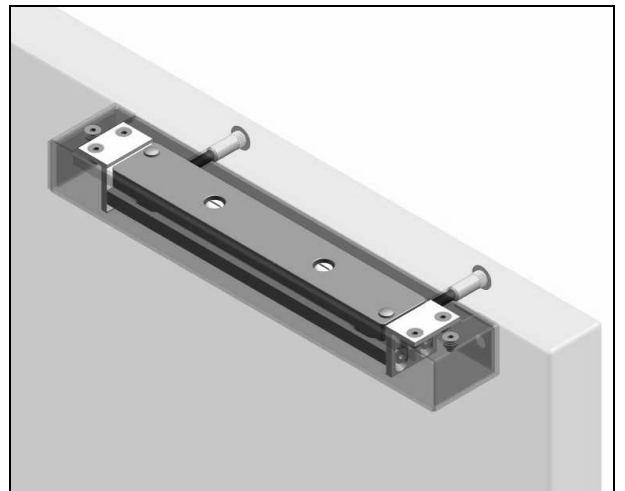
Top View (2-Sex Bolts through Door)



Side View (2-Sex Bolts through Door)



Front View (2-Sex Bolts through Door)



Isometric View of Installation

5.3.2.1. Wooden and Solid Core Door Installation

1. Place mounting bracket into position on door mounting location. Using the bracket as a template, mark the two (2) outside (dimpled) hole locations for mounting.
2. Drill two (2) 3/8" [9.5mm] diameter holes completely through the mounting surface (door).
3. Partially insert two (2) sex bolts (Item #5) into the holes in the door. Mount the bracket (Item #1) securely into place threading the socket head screws (Item #3) into the sex bolts (Item #5). While tapping the sex bolts into place with a hammer, tighten the screws into the sex bolts using a hex wrench. Verify proper alignment.
4. Orient strike armature assembly into bracket and mount the assembly to the bracket using the hardware supplied with the strike. Tighten the screws of the assembly using a 1/8" hex wrench.
5. Slide the bracket cover (Item #2) into place over the bracket and using a 1/8" hex wrench, install the two (2) 10-32 UNF x 3/8" long flat head socket screws to secure the cover.

5.3.2.2. Aluminum Frame and Hollow Metal Door Installation

Note: For installation on hollow metal or aluminum frame doors, mounting with sex bolts (Item #5) or blind nuts (Item #4) is optional. If using sex bolts the two (2) outside (dimpled) holes of the bracket will be used and 3/8" diameter holes that penetrate completely through the door will be required. If using blind nuts, all three

(3) holes of the bracket will be used and 3/8" diameter holes that penetrate only through the mounting face or skin of the door will be necessary.

1. Place mounting bracket into position on door mounting location. Using the bracket as a template, mark the desired holes required for mounting.
2. Drill holes in the mounting surface (door):
 - a) **For sex bolt mounting**; drill two (2) 3/8" [9.5mm] diameter holes completely through the mounting surface (door).
 - b) **For blind nuts mounting**; drill three (3) 3/8" [9.5mm] diameter holes thru the mounting face (skin) of the door only.
3. Insert hardware into holes in door:
 - a) **For sex bolt mounting**; partially insert two (2) sex bolts (Item #5) into the holes in the door. Mount the bracket securely into place threading the socket head screws (Item #3) into the sex bolts (Item #5). While tapping the sex bolts into place with a hammer, tighten the screws into the sex bolts using a hex wrench. Verify proper alignment.
 - b) **For blind nuts mounting**; install the three (3) steel blind nuts (Item #4) into the mounting face (skin) of the door. Position and mount the bracket (Item #1) securely into place threading the socket head screws (Item #3) into the blind nuts (Item #4).
4. Orient strike armature assembly into bracket and mount the assembly to the bracket using the existing hardware supplied with the strike. Tighten the screws of the assembly using a 1/8" hex wrench.
5. Slide the bracket cover (Item #2) into place over the bracket and using a 1/8" hex wrench, install the two (2) 10-32 UNF x 3/8" long flat head socket screws to secure the cover.

6. OPERATIONAL INSTRUCTIONS

Because this is a static accessory item used only for optional mounting of the SAM Shear Aligning Magnalock, nothing other than periodical cleaning is required. Please refer to the *SAM Installation and Operating Instructions Manual* (SMC P/N 500-10440) included with the SAM product for proper Magnalock and strike operational instructions and maintenance. Information on troubleshooting and wire gauge sizing may also be found in the appendices of the SAM product manual.

MAGNACARE® LIMITED LIFETIME WARRANTY

SECURITRON MAGNALOCK CORPORATION warrants that it will replace at customer's request, at any time for any reason, products manufactured and branded by SECURITRON.

SECURITRON will use its best efforts to ship a replacement product by next day air freight at no cost to the customer within 24 hours of SECURITRON's receipt of the product from customer. If the customer has an account with SECURITRON or a valid credit card, the customer may order an advance replacement product, whereby SECURITRON will charge the customer's account for the price of the product plus next day air freight, and will credit back to the customer the full amount of the charge, including outbound freight, upon SECURITRON's receipt of the original product from the customer.

SECURITRON's sole and exclusive liability, and customer's sole remedy, is limited to the replacement of the SECURITRON product when delivered to SECURITRON's facility (freight and insurance charges prepaid by customer). The replacement, at SECURITRON's sole option, may be the identical item or a newer unit which serves as a functional replacement. In the event that the product type has become obsolete in SECURITRON's product line, this MAGNACARE warranty will not apply. This MAGNACARE warranty also does not apply to custom, built to order, or non-catalog items, items made by others (such as batteries), returns for payment, distributor stock reductions, returns seeking replacement with anything other than the identical product, or products installed outside of the United States or Canada. This MAGNACARE warranty also does not apply to removal or installation costs.

SECURITRON will not be liable to the purchaser, the customer or anyone else for incidental or consequential damages arising from any defect in, or malfunction of, its products. SECURITRON does not assume any responsibility for damage or injury to person or property due to improper care, storage, handling, abuse, misuse, or an act of God.

EXCEPT AS STATED ABOVE, SECURITRON MAKES NO WARRANTIES, EITHER EXPRESS OR IMPLIED, AS TO ANY MATTER WHATSOEVER, INCLUDING WITHOUT LIMITATION THE CONDITION OF ITS PRODUCTS, THEIR MERCHANTABILITY OR FITNESS FOR ANY PARTICULAR PURPOSE.