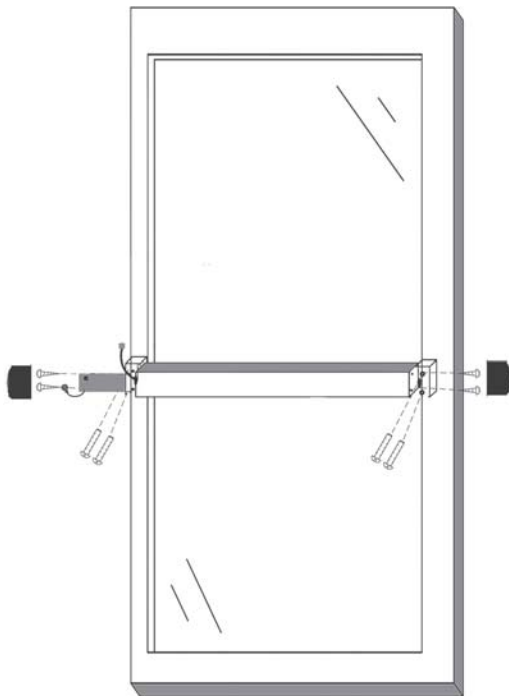


Touch Sense Bar (TSB-3)



Application - The Touch Sense Bar is for use on magnetically locked, non fire-rated doors. Touching the bar, even through light gloves or clothing, trips an electronic sensor which releases the lock. For indoor use only, the TSB-3 can be installed on metal, aluminum, or wood frame doors of all types. Meets "no special tools or knowledge" code requirements.

Features and Benefits

- 3 standard lengths: 36", 42" or 48"
- Can be field cut to accommodate non-standard openings up to 48" [1219mm]
- Activates a DPST 2 Amp rated relay when touched (no mechanical movement) which will allow free egress or initiate the delay on an exit delay timer
- Backup push button
- 16 ft. [4.8m] 22AWG 6 conductor cable and stainless steel armored door cord are included
- Operates on either 12 or 24 VDC
- **UL Listed**

Specification Data

Current Draw: 40mA at rest, 25mA releasing

Voltage: 12 or 24 VDC

Operating Temperature: +32 to +110F [0 to +43C]

Warranty: MagnaCare Lifetime Replacement Warranty

How To Order

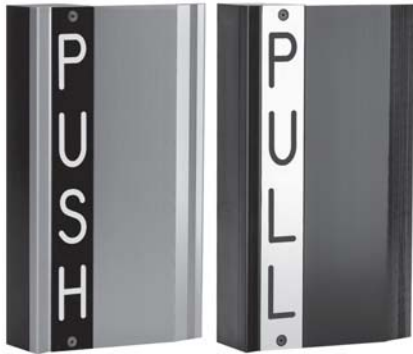
| Part # | Description |
|-------------------|---------------------------|
| TSB-3CL | Touch Sense Bar Clear 36" |
| TSB-3CL-42 | Touch Sense Bar Clear 42" |
| TSB-3CL-48 | Touch Sense Bar Clear 48" |
| TSB-3BK | Touch Sense Bar Black 36" |
| TSB-3BK-42 | Touch Sense Bar Black 42" |
| TSB-3BK-48 | Touch Sense Bar Black 48" |

How To Order

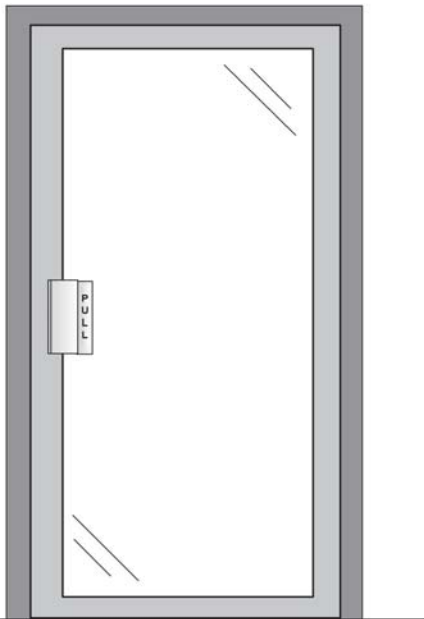
| Part # | Description |
|--------------------|---------------------|
| DTSB-3CL | Dummy TSB Clear 36" |
| DTSB-3CL-42 | Dummy TSB Clear 42" |
| DTSB-3CL-48 | Dummy TSB Clear 48" |
| DTSB-3BK | Dummy TSB Black 36" |
| DTSB-3BK-42 | Dummy TSB Black 42" |
| DTSB-3BK-48 | Dummy TSB Black 48" |



Touch Sense Handle (TSH)



Application - Sized to cover up existing mounting holes, the TSH is used for standard pulls on aluminum doors. It is employed to open inswinging doors or as an alternate push-open device for inswinging and outswinging doors, providing a different look on aluminum frame glass doors. For indoor use only.



Features and Benefits

- For use on any push, pull or swing-through door
- Activates a DPST 2 Amp rated relay when touched (no mechanical movement) which allows free egress
- Backup push button
- A 16 ft. [4.8m] 22AWG 6 conductor cable and stainless steel armored door cord included
- Operates on either 12 or 24 VDC
- **UL Listed**

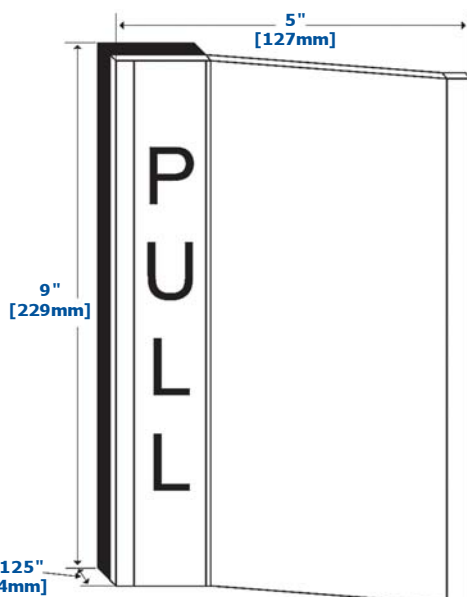
Specification Data

Current Draw: 40mA at rest / 25mA releasing

Voltage: 12 or 24 VDC

Operating Temperature: +32 to +110F [0 to +43C]

Warranty: MagnaCare Lifetime Replacement Warranty



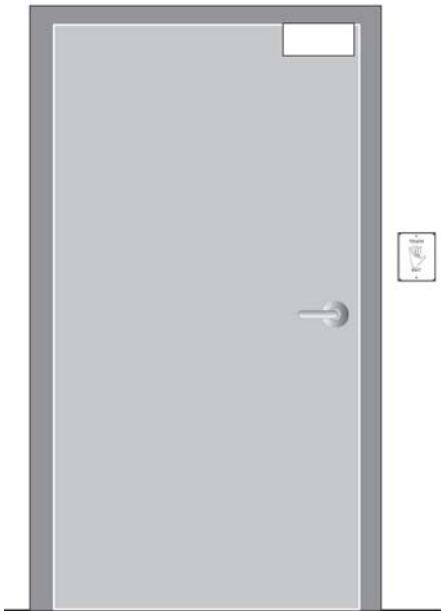
How To Order

| Part # | Description |
|---------|--------------------------------|
| TSH-CL | Touch Sense Handle Clear |
| TSH-BK | Touch Sense Handle Black |
| DTSH-CL | Dummy Touch Sense Handle Clear |
| DTSH-BK | Dummy Touch Sense Handle Black |

Touch Sense Plate (SP-1)



Application - The SP-1 uses patented touch sensing technology to create a push panel with no moving parts. For indoor use only, the unit is oversized so that it can be mounted over a single gang cut-out. A three part vinyl decal is included and a red LED is incorporated in the backbox.



Features and Benefits

- DPST 2 Amp rated relay
- Internal 0-25 second timer
- Built in redundant button

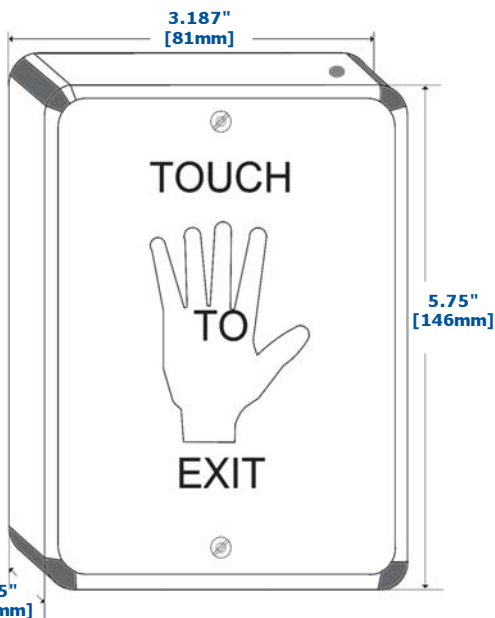
Specification Data

Current Draw: 40mA at rest, 25mA releasing

Voltage: 12 or 24 VDC

Operating Temperature: +32 to +110F [0 to +43C]

Warranty: MagnaCare Lifetime Replacement Warranty



How To Order

| Part # | Description |
|--------|--|
| SP-1 | Touch Sense Plate |
| SP-1LH | Touch Sense Plate Handicapped Sticker only |
| SP-1L | Replacement Touch Sense Plate Sticker only |

