

Securitron[®] DM62 Magnalock[®]

The ultimate 1,200 lbs holding force Magnalock double magnet for indoor/outdoor high security



The versatile Securitron DM62 electromagnetic lock offers strength and ease of maintenance for interior, perimeter and exterior access control—in a compact double magnet.

This all-in-one unit is designed for double doors with no mullion. With unsurpassed durability, the Securitron DM62 will last long after most buildings wear out.

Features

Standard Features

- Ultra-secure collapsing blind nuts mount to door frame for strength and reliability
- Fully sealed for weatherproof operations
- 3' [1 m] of jacketed, stranded conductor cable for each lock
- Automatic dual-voltage —no field adjustment required
- Instant release circuit —no residual magnetism
- Noise suppression with built-in MOV
- Efficient, low power usage
- Rust resistant — all ferrous metal surfaces plated for durability
- MagnaCare[®] lifetime replacement, no-fault, no questions asked warranty

Optional Features

- **B** Patented BondSTAT magnetic bond sensor
- **D** Integrated door position switch (DPS)
- **OS** Offset strike plates



Securitron DM62 Magnalock

Specifications

Certifications

- UL 10C Listed
- CAN4-S104, CAN/ ULC-S533 Listed
- ANSI/BHMA A156.23, Grade 2; E08511-1000 Compliant
- CSFM- California State Fire Marshal Approved

Electrical (Per Lock)

- 250 mA at 12 VDC
- 150 mA at 24 VDC

Holding Force (Per Lock)

- 1,200 lbs [544kg]

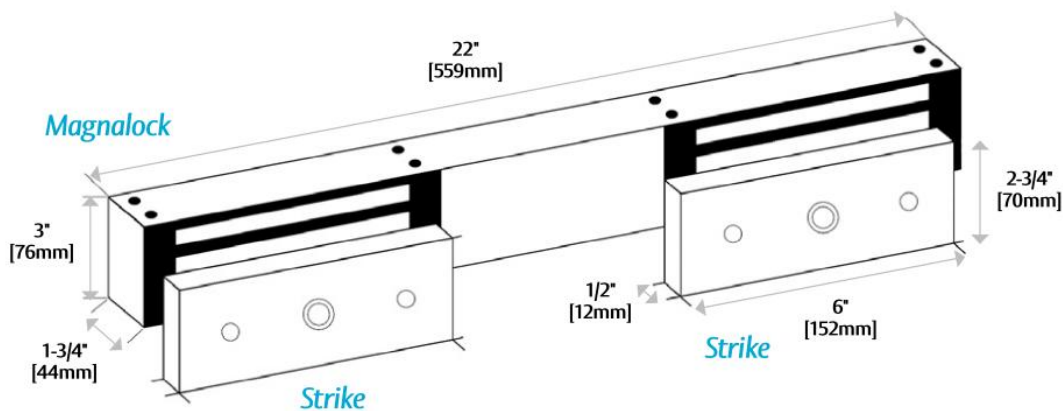
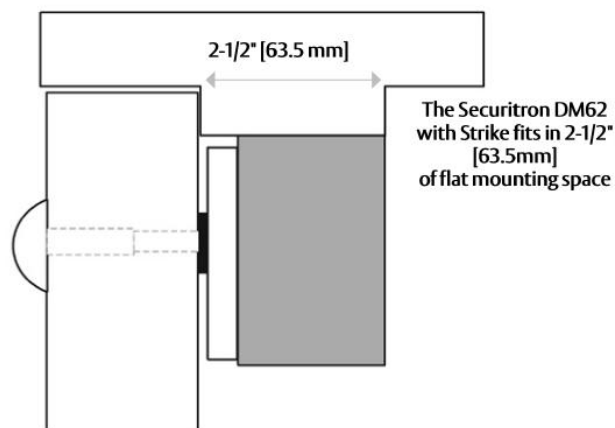
Operating Temperature

- -40° to 140°F [-40° to 60°C]
- Indoor or Outdoor use

Shipping Weight

- 16 lbs [7.26kg]

Dimensions



How to Order

MODEL SERIES	MONITORING OPTIONS	STRIKE PLATE OPTIONS
DM62	BD	- OS
DM62	(blank) No Monitoring B BondSTAT Monitor D Door Position Switch	(blank) Standard Strike OS Offset Strike

DISTRIBUTED BY
 **ACCESS HARDWARE SUPPLY**
accesshardware.com

US assaabloyesh.com | 800 626 7590 | customerservice.esh@assaabloy.com
 Canada assaabloydss.ca | 800 461 3007 | sales.dss.ca@assaabloy.com

Updated 7/7/20 Patent pending and/or patent www.assaabloydss.com/patents
 Copyright © 2020, Hanchett Entry Systems, Inc., an ASSA ABLOY Group company. All rights reserved. Reproduction in whole or in part without the express written permission of Hanchett Entry Systems, Inc. is prohibited.