



44487023

PS902



Power Supply

Installation Instructions

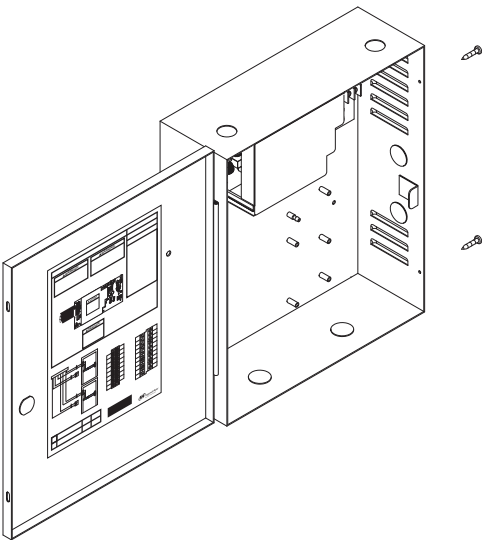
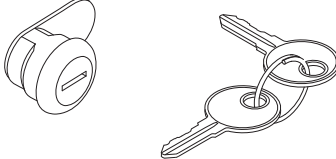
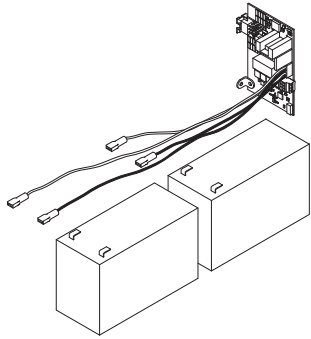
⚠ DANGER ⚠

To avoid risk of electric shock, turn off AC power before installing or servicing PS902 power supply

DISTRIBUTED BY

AHS ACCESS HARDWARE SUPPLY
accesshardware.com

These instructions cover the following parts:

 <p>PS902 Power Supply - Pages 1-3</p>	 <p>900-KL Keylock (optional) - Page 2</p>
	 <p>900-BB Battery Backup (optional) - Page 3</p>

PS902 Power Supply Specifications:

Input	120/240 VAC, 1.1 A, 50/60Hz, High Voltage Class 1 Wiring Required	
Output	2 Amp DC @ 12/24 VDC	
Enclosure	14" H x 12" W x 4" D (8 knockouts, 1/2" or 3/4")	
Temperature Range	32°-120° F (0°- 49° C)	
Fuse	F1, T3.15A 250VAC	⚠ CAUTION ⚠ For protection against risk of fire, replace fuse with same type and rating
Compliance	UL 294, ULC-S318, RoHS, & FCC Part 15, Class 2 Output	
Compatible Boards (Optional, 1 board maximum)	900-2RS 900-2Q 900-4R 900-4RL 900-8F 900-8P	INST. INSTRUCTIONS - 24125007 INST. INSTRUCTIONS - 44487098 INST. INSTRUCTIONS - 44487106 INST. INSTRUCTIONS - 44487080 INST. INSTRUCTIONS - 44487106 INST. INSTRUCTIONS - 44487106
Fire Alarm Input Board (Optional)	900-FA	INST. INSTRUCTIONS - 44487072
Battery Backup Board (Optional)	900-BB	INST. INSTRUCTIONS - 44487064

Mounting notes

The PS902 must be installed in accordance with the article 760 of the National Electrical Code or NFPA 72, Canadian Electrical Code, or any other applicable codes.

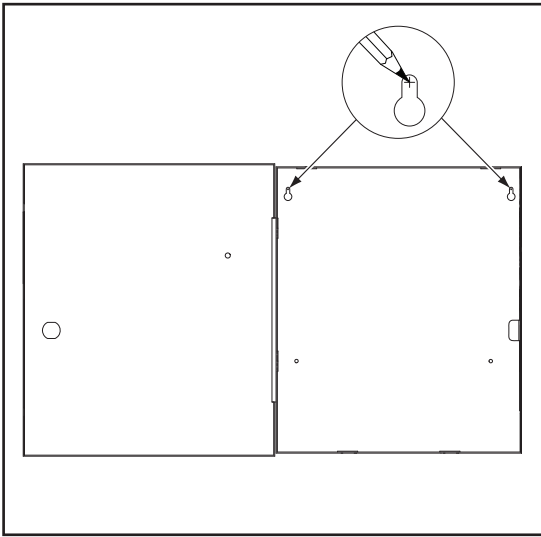
Install the PS902 indoors within the protected premises.

Check national and local codes for additional installation requirements.

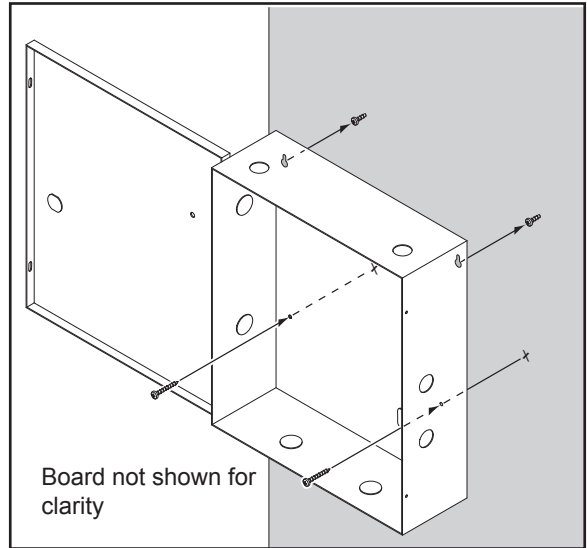
Enclosure must be firmly mounted to a solid surface using hardware suitable for the surface.

1 Mount power supply

1a Mark 2 Top Holes



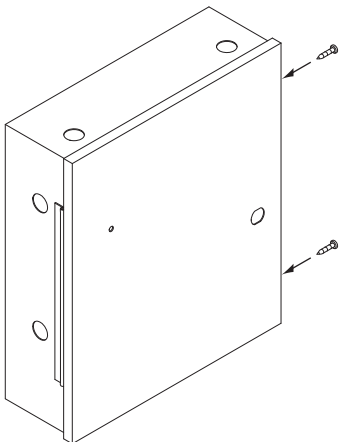
1b Secure Enclosure with 4 Screws



2 Secure enclosure door

If No Keylock

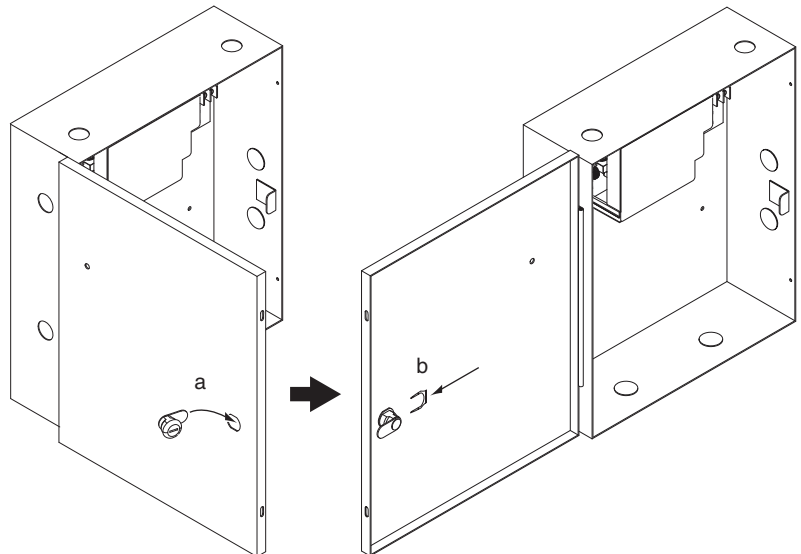
Enclosure will be secured with 2 screws as shown (done as last step)



OR

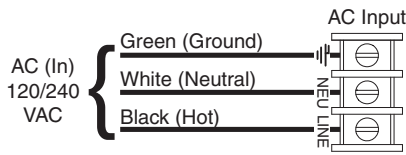
If Keylock

Remove knockout and insert key cylinder, then slide in clip



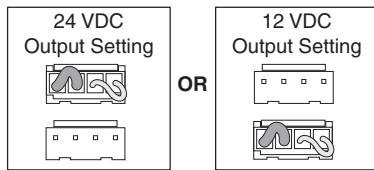
3 PS902 setup and testing

3a Connect AC Wiring

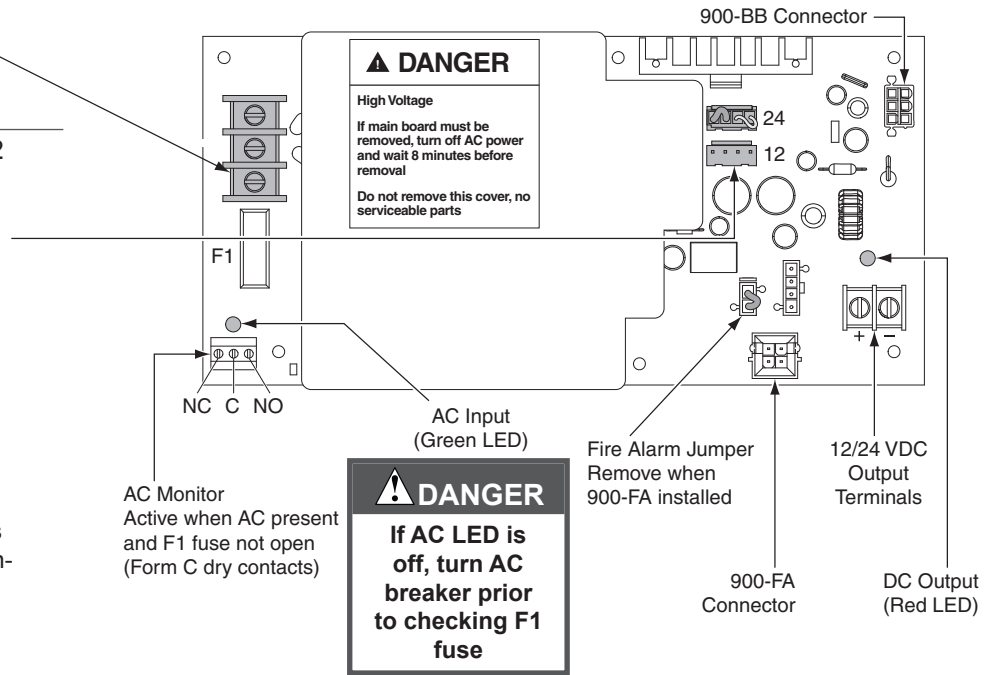


⚠ DANGER ⚠
Ensure AC breaker is turned off

3b Use Jumper to Select 24 VDC or 12 VDC Output



Note: Minimum of 1/4" separation between AC and DC wiring as well as power limited and non-power limited.



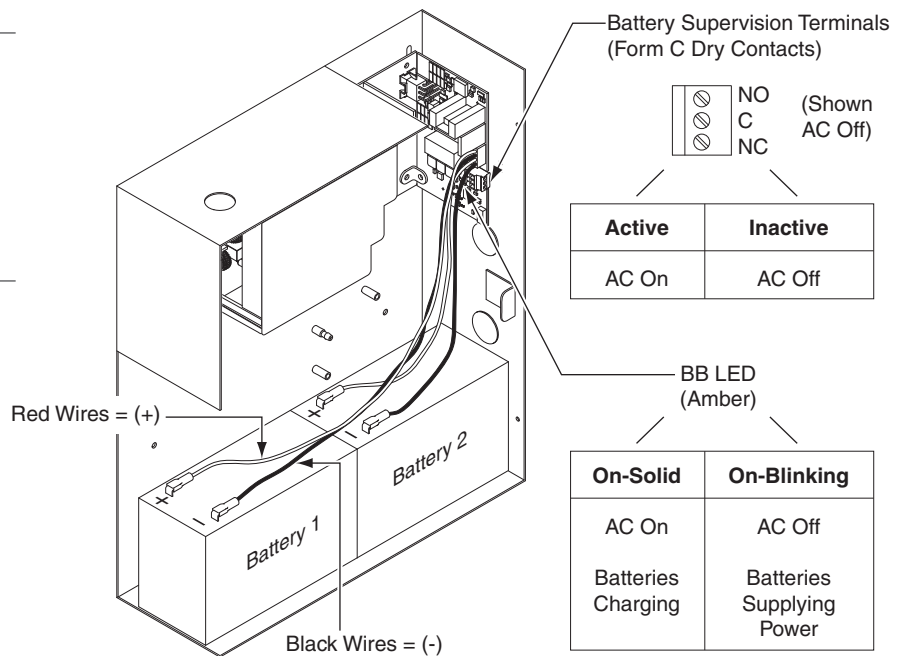
4 Install 900-BB battery backup (If Included)

Refer to 900-BB instructions for additional info

4a Place Batteries in Box with Terminals to the left

4b Attach Wire from Battery Board Red wires = (+) Black wire = (-)

Note: allow 24 hours for batteries to fully charge



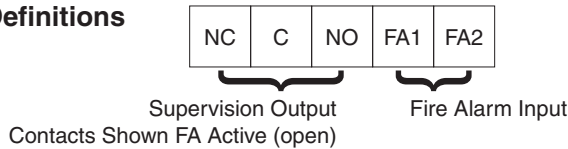
5 Turn on AC breaker to test power supply

- Verify AC LED is On = GREEN
- Verify DC LED is On = RED
- Verify BB LED (if applicable) is On = AMBER

6 Wire 900-FA (fire alarm board) if included

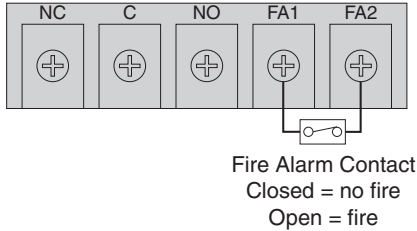
Refer to 900-FA instructions for additional info

Terminal Definitions

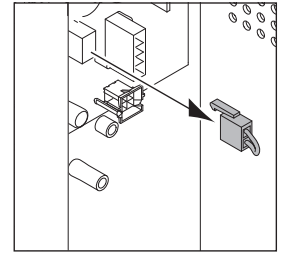
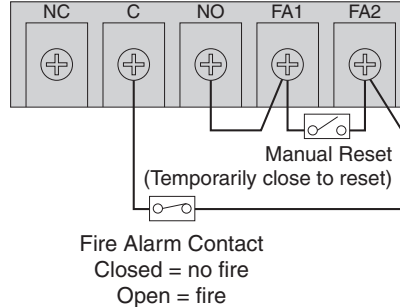


- Note:** If FA is installed on PS902:
- Verify jumper J13 is removed
 - Power will be removed from PS902 when fire alarm is active

One 900-FA Board - Automatic Reset

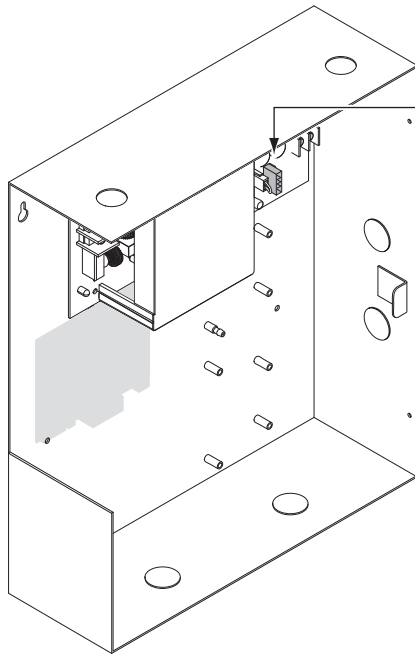


One 900-FA Board - Manual Reset

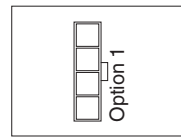


Option Boards

Refer to appropriate instructions if any board shown below is factory-installed



Option Board to be Plugged into Option Connector

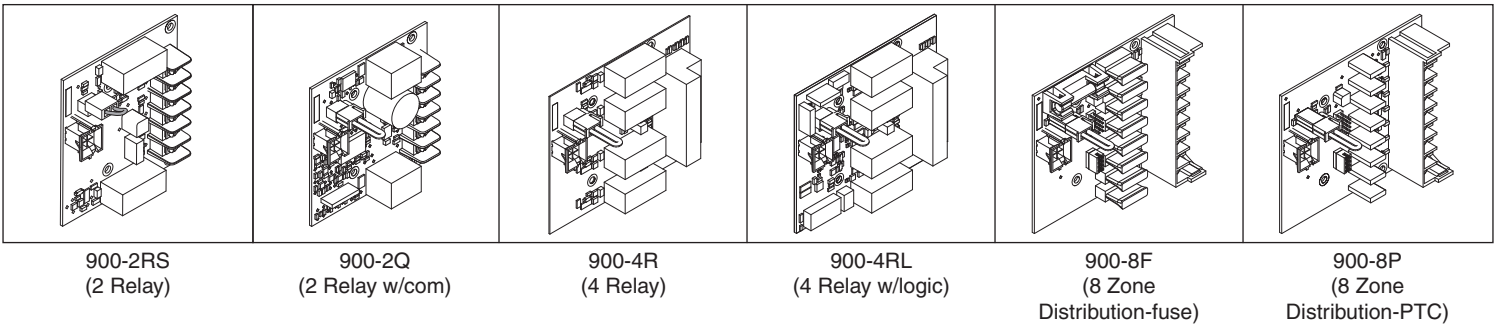


- See option board installation instructions for wiring info

Notes:

1. When powering (2) QEL's with a PS902, both cannot be activated at the same time, they must be sequenced.
2. Latchbolt retraction of (2) sequenced QEL's requires more than 1 second to complete.
3. For double door QEL applications with auto operators, it is recommended to use a PS904, 906, or 914 power supply.

Available option boards:



NOTE: When installation is complete, secure enclosure door with screws (provided) or keylock

Customer Service

1-877-671-7011 www.allegion.com/us



© Allegion 2014
Printed in U.S.A.
44487023 Rev. 01/14-c