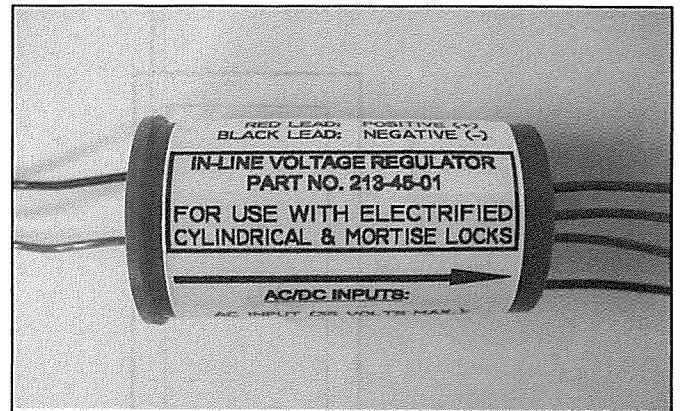


24V DC IN-LINE VOLTAGE REGULATOR

PART NO. 1580-2

Features:

- Regulates source voltages up to 35 volts to a safe 24V DC output level
- Works with AC or DC source voltages
- Can be used with all 24 volt AC/DC rated cylindrical or mortise locksets up to 360mA
- Listed under UL File #R10121



Installation

The regulator should be located in an accessible area where it can be spliced into the two conductor cable leading directly to the electrified lockset (see Figure 1). If room allows, the regulator can be located inside the power supply enclosure that feeds power to the lockset. It is recommended that the regulator be installed downstream from any switching outputs, such as card reader or keypad door control relay contacts (see Figure 1). In applications where there is no conduit carrying two conductor cable to the lockset, the regulator can be spliced in the plenum above the door containing the electrified lockset. If this method of installation is to be used, it is recommended that the regulator be placed inside a covered 4" square outlet box at the spot where the splice will be made (see Figure 2).

On new installations, do not place the regulator anywhere inside the door frame, including the mortar guard for the power transfer device. Do not locate the regulator inside the door. At its widest point, the regulator housing measures 1 inch in diameter and cannot fit inside a door raceway.

Do not connect more than one electrified lockset to the output of the in-line voltage regulator.

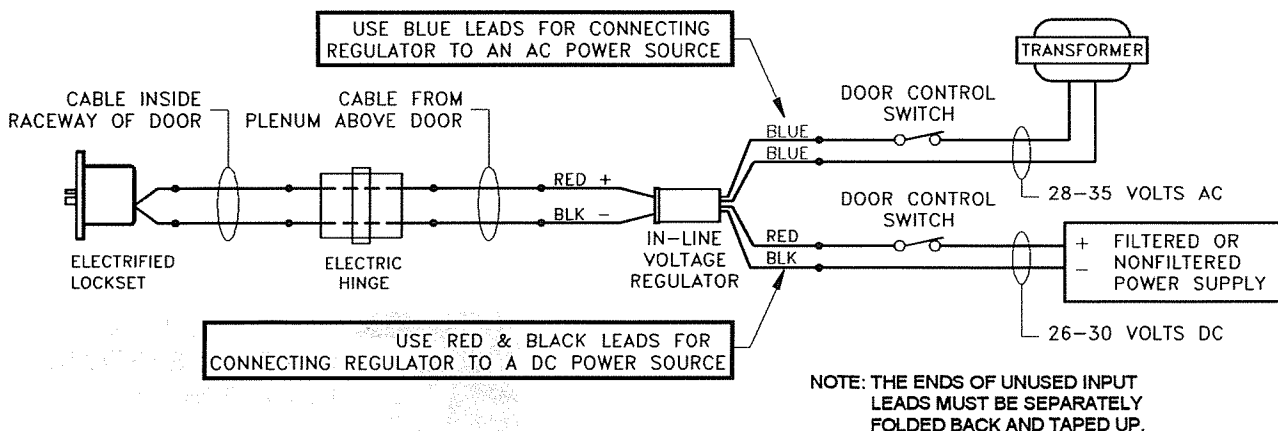


Fig. 1

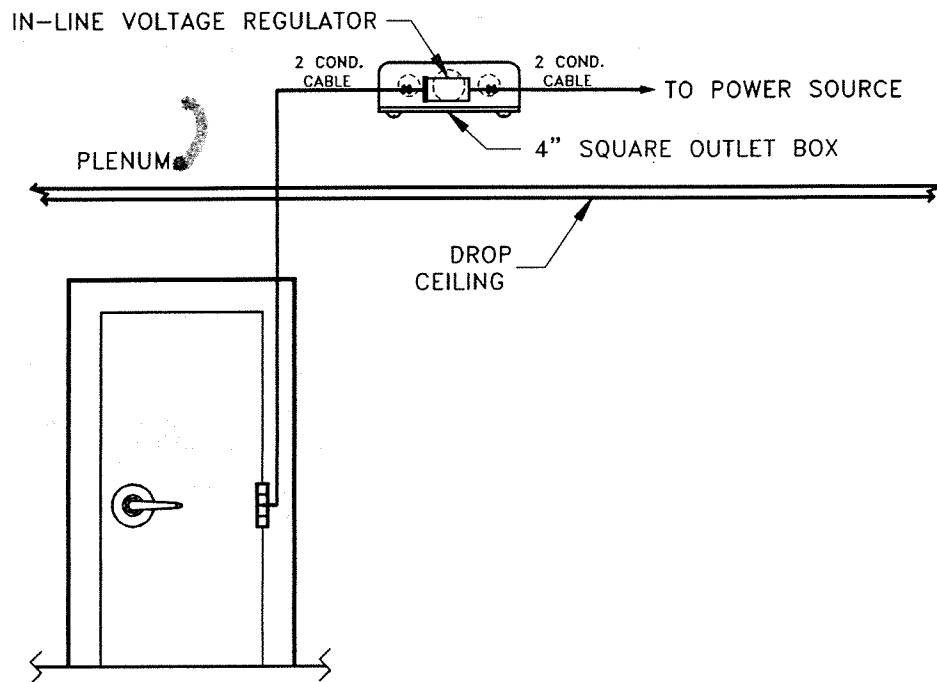


Fig. 2

Specifications:

- Max. DC Input voltage: 30V
- Max. AC Input voltage: 35V
- Max. load current: 360mA
- Regulated output voltage (unloaded): 26.7V
- Regulated output voltage (full load): 24.0V
- Max. temperature of regulator outside surface under full load @ max. input: 45°C (@ 23°C ambient)



ARCHITECTURAL
CONTROL SYSTEMS,
INCORPORATED

ST. LOUIS, MISSOURI

(800) 753-5558 • FAX (314) 432-2090
www.acsi-inc.com