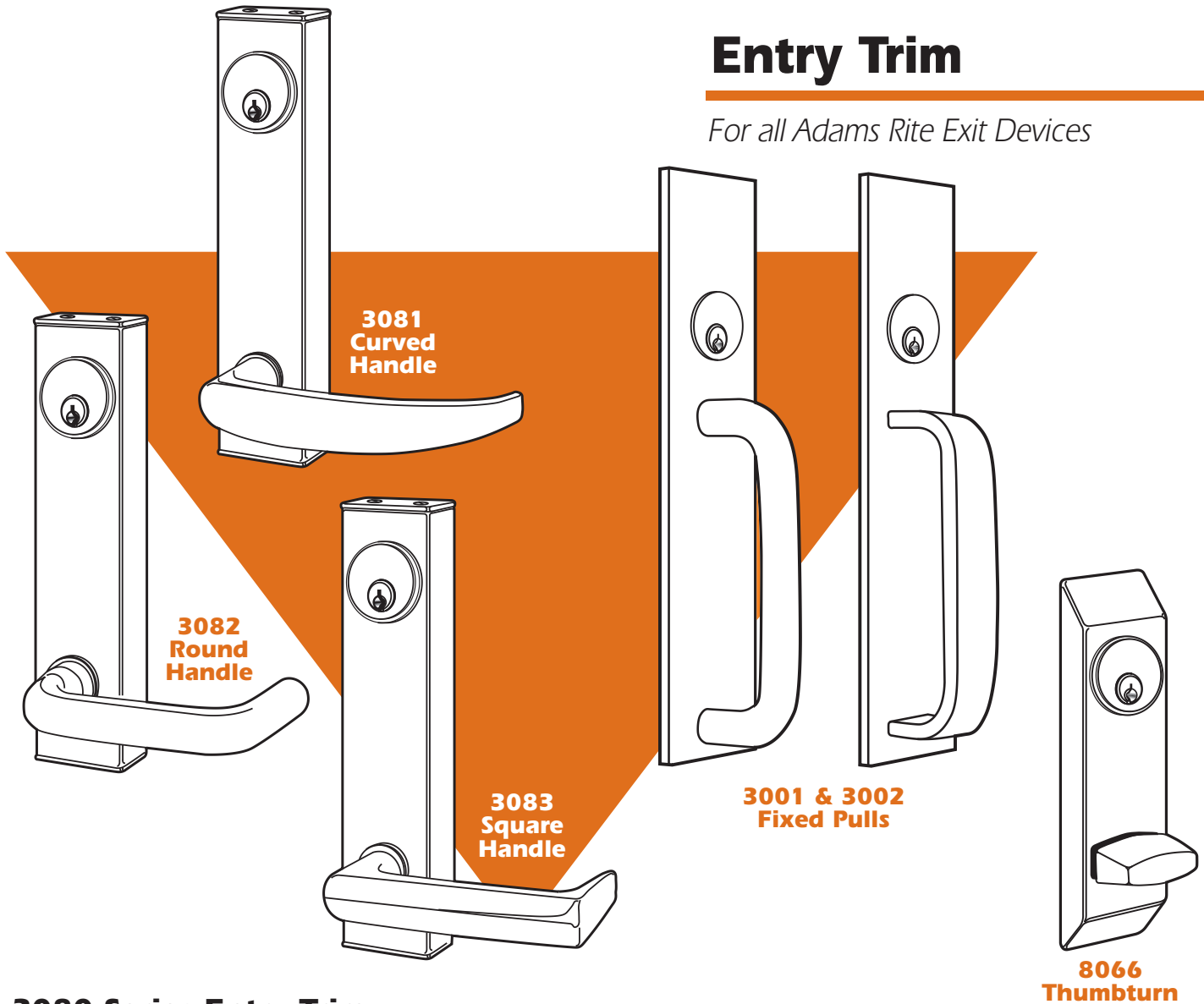


Entry Trim

For all Adams Rite Exit Devices



3080 Series Entry Trim

The 3080 Series provides outside activation of narrow stile aluminum, wood or hollow metal doors that have any type of Adams Rite Exit Device. Breakaway clutching mechanism protects the locked handle from vandalism or forced entry, in either direction. This also makes the trim rehandable in the field. All models share the same core components, so handles can be changed without having to replace the entire trim. Solid construction meets Grade 1 standards. An electrified version is also available for integrating with card readers, keypads and other access control devices. (See page ED-11.)

3001 & 3002 Fixed Pulls

US32D Satin Stainless Steel pulls have 2-3/4" x 1-1/2" escutcheon. Order with or without cylinder hole. For hollow metal and wood doors only.

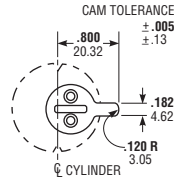
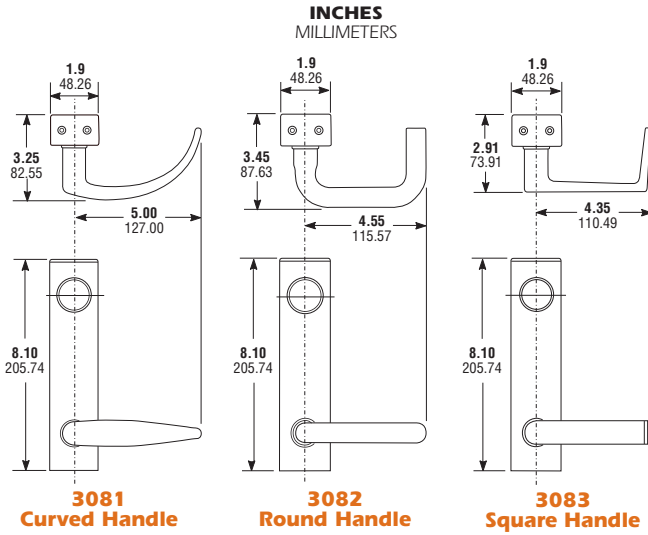
8066 Thumbturn

Thumbturn and any standard mortise cylinder with MS cam allow entry control in two modes: latched, but openable by thumbturn, or latched with entry by key only with 8067 Nightlatch Kit.



Entry Trim

DIMENSIONS



HOW TO ORDER

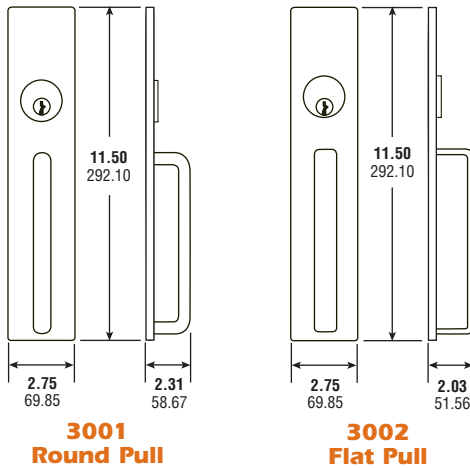
Specify quantity and the following information.
 Order Electrified version separately. See page ED-11.
 Order related hardware separately.

Handle	Cylinder Hole	Exit Device
1 Curved	3 with hole	1 SVR
2 Round	9 w/o hole	6 CVR
3 Square		3 Mortise
		7 Rim
		4 39/8900
		9 None

3081-33-00-US3

Finish		
US3 Bright Brass	10B Dark Bronze	
US4 Satin Brass	US26 Bright Chrome	
US9 Bright Bronze	US26D Satin Chrome	
US10 Satin Bronze	SP Special	

3080 Series Entry Trim accept any standard 1-5/32" diameter mortise cylinder with special MS[®] cam dimensioned as shown. Cylinders with MS[®] cams can be readily obtained from most cylinder manufacturers. See page SW-33 for cylinder make and trimming information.



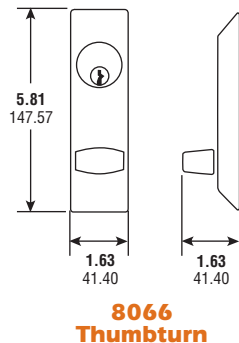
Specify quantity and the following information.
 Order related hardware separately.

Model/Handle	Cylinder Hole	Exit Device
3001 Round	1 w/o hole	1 Mortise, Rim
3002 Flat	2 with hole	2 CVR
		3 SVR

3001-11-US32D

Finish
US32D Satin Stainless Only

Not for use with:
 8200, 8400, 8475, 8600, 8675, 8800



Specify quantity and the following information.
 Order related hardware separately.

Exit Device	Door Hand
00 Mortise or CVR	07 Non-rated CVR, SVR or LHR Mortise
01 Rim or SVR	08 Non-rated Rim or RHR Mortise

8066-01-08-US3

Finish		
628 Clear Anodized	US3 Bright Brass	10B Dark Bronze
313 Dark Bronze Anod.	US4 Satin Brass	US26 Bright Chrome
335 Black Anodized	US9 Bright Bronze	US26D Satin Chrome
	US10 Satin Bronze	SP Special