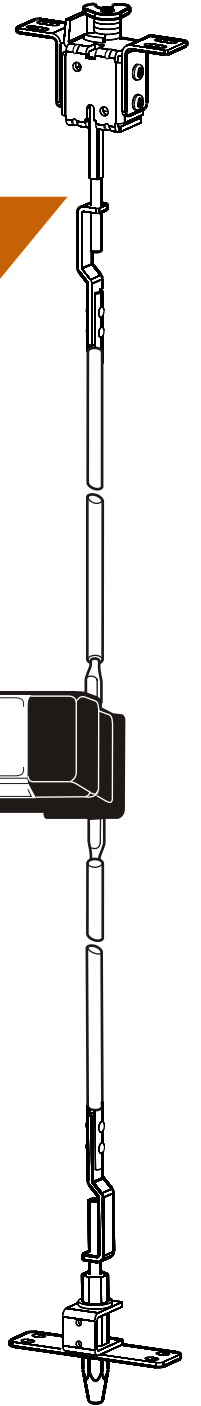
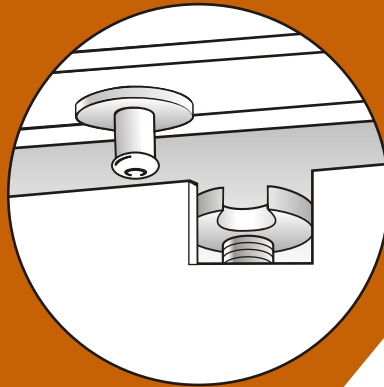


BHMA TYPE 8

Metal Door Concealed Vertical Rod Exit Device

3600 Series
FIRE-RATED 

8500 Series
LIFE-SAFETY



Also available
in a Top Rod
Only version

Features:

- ▼ Patented top latching mechanism interlocks door to frame
- ▼ Top and bottom adjustable steel rods
- ▼ Pushbar clad or anodized, not plated, in a variety of finishes
- ▼ Easy to install
- ▼ Clean, unobtrusive design
- ▼ Strong, durable construction for a high level of security

CERTIFICATIONS:

8500 SERIES:

- UL Life-Safety Listing
- ANSI/BHMA A156.3 Grade 1
- California State Fire Marshall
- New York City MEA*

*Consult factory for specific number

3600 SERIES:

- UL  10C 3-Hour Fire Label
- California State Fire Marshall
- New York City MEA*
- Warnock/Hersey Listing for Fire Doors up to 10 Feet



Features & Dimensions

Metal Door Concealed Vertical Rod Exit Device

ANSI/BHMA

Grade 1

Handing

Device is non-handed. Lever Entry Trim is field reversible.

Pushbar Length

Standard Sizes: Dimensioned for 30", 36", 42" & 48" openings. Standard width bars can be field cut to the next smallest opening width.

Door Thickness

Suits 1-3/4" standard, up to 2-1/4".

Stile Width

3600 - Minimum 3-1/2"*
8500 - Minimum 3-1/2"

*Door construction may require additional stile width to meet fire ratings and provide adequate strength.

Projection

2-5/8" when fully projected,
1-5/8" when dogged.

Materials

Pushbar made of extruded aluminum, clad or anodized in a variety of finishes.

Dogging

Standard dogging with hex key or optional cylinder dogging for 8500 Series only. Electric dogging also available for 3600 and 8500 Series.

Fasteners

Standard self-tapping screws. Optional Sex Bolt Kits- 26-0584 (2 required per device) Specify finish.

Strike

Made of hardened steel. Supplied with exit device.

Cylinders (order separately)

Cylinder x Fixed Pull:

(Function 03)

Accepts any standard Mortise cylinder with MS® cam.

Entry Lever or Thumbturn:

(Functions 08, 09, 11, 12)

Accepts any standard diameter Mortise cylinder with MS® cam. Accommodates cylinder lengths from 1" to 1-1/4".

Warranty

Five year limited.

AVAILABLE FINISHES

313 Dark Bronze Anodized

335 Black Anodized

628 Clear Anodized

US3 Bright Brass

US4 Satin Brass

US9 Bright Bronze

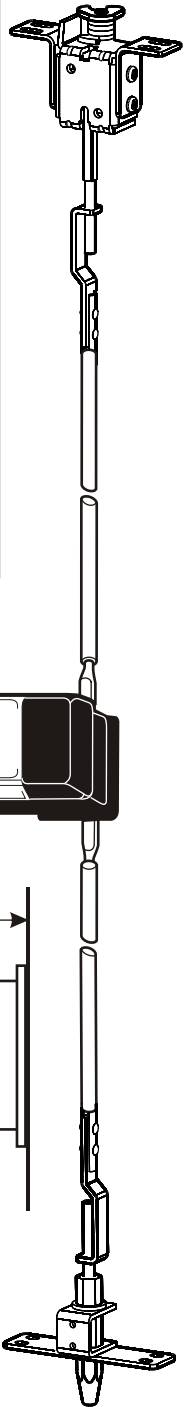
US10 Satin Bronze

10B Dark Bronze (Trim only)

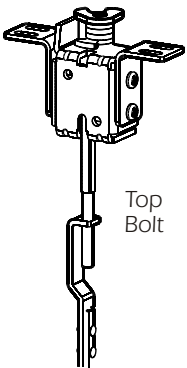
US32 Bright Stainless

US32D Satin Stainless

Consult factory for special finishes.



Bolts and Strikes



Top Bolt

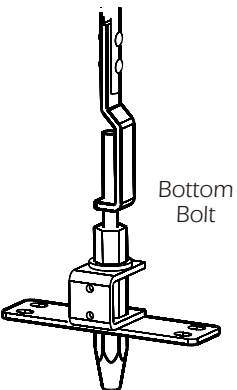
The patented top latching mechanism utilizes a rotating Top Bolt which deadlatches around the Header Strike, interlocking the door to the frame.



Top Strike

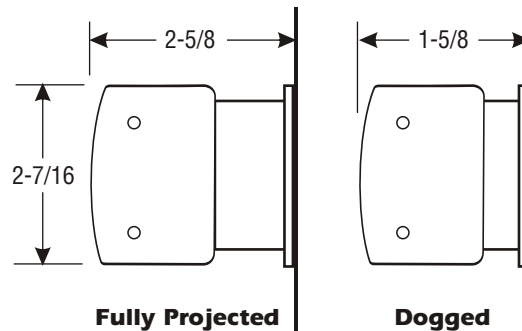
Supplied with Standard Header Strike.

The hexagonal, hardened steel Bottom Bolt works in harmony with the Top Bolt.



Bottom Bolt

Pushbar Dimensions



Fully Projected

Dogged

Top Rod Only

The Concealed Vertical Rod exit device is also available with a single vertical rod on top.




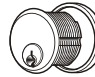

Specify by adding "T" after exit device number.



Trim & Function

Metal Door Concealed Vertical Rod Exit Device

ANSI/BHMA Functions:

| 01 | 02 | 03 | 08 | 09 | 11 | 12 | 14 |
|----------------------|-------------------------------------|--|--|---|--|--|-------------|
| EXIT ONLY- NO TRIM | PULL ONLY WHEN DOGGED DUMMY TRIM | KEY RETRACTS LATCHBOLT NL | KEY LOCKS LEVER | KEY LOCKS LEVER NL | KEY LOCKS THUMBTURN 8500 ONLY | KEY LOCKS THUMBTURN NL 8500 ONLY | PASSAGE SET |
| CYLINDER TYPE | | | | | | | |
| N/A | N/A | MORTISE  | MORTISE  | MORTISE  | MORTISE  | MORTISE  | N/A |

NL – Night Latch

Please see page ED-10 for Pulls and Entry Trim, plus Entry Trim Ordering Matrix.

Ordering Matrix



3600

 3600 Series - Fire Rated for Steel Doors

 3600T Top Rod Only

8500 Series - Life-Safety for Steel Doors

8500T Top Rod Only

Specify Series

3600 8500
3600T 8500T

For Top Rod Only

Substitute "T" for dash

Door Opening Width

On pair of doors, specify half of total exit opening
30 inches 42 inches
36 inches 48 inches

3600 T 30 - US3

Pushbar Finish

1 628 Clear Anodized
2 313 Dark Bronze Anodized
3 335 Black Anodized
0 US Finish

Add Dash No. for US Finish

US3 Bright Brass US32 Bright Stainless
US4 Satin Brass US32D Satin Stainless
US9 Bright Bronze
US10 Satin Bronze

Order 8650 escutcheon kit and cylinder separately if required.

For doors up to 10 feet tall specify: 3655 (3600).

If required, specify cylinder and other trim separately.

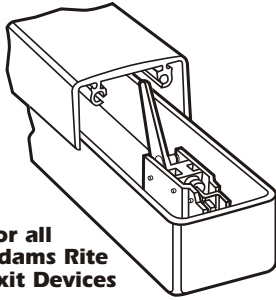


Options & Accessories

Metal Door Concealed Vertical Rod Exit Device

Order by adding suffix to Exit Device in place of hyphen or by separate model number.

MONITOR/SIGNAL SWITCH



For all Adams Rite Exit Devices

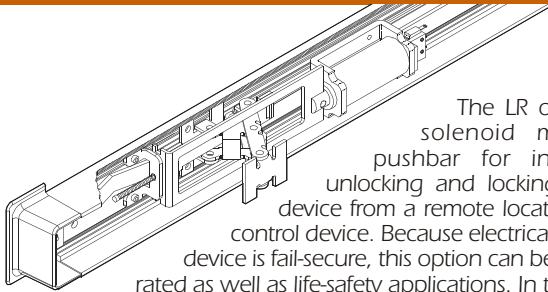
- M1 - Single Switch
- M2 - Dual Switch

A switch in the exit device pushbar mounted on the hinge end. Switch can be used to activate signal light, horn, monitor or other devices. Most common application is to release maglock when pushbar is depressed. Switch can be wired for normally open or normally closed depending upon application. Can be retrofit in field to existing exit device. Dual switch version offers redundancy as required by some building codes or the option of operating a second signaling device.

Specify by adding "M1" or "M2" after exit device model number.

Monitor Kits for upgrading any 3000 or 8000 Series device:
91-0897-01 - Single Switch 91-0897-02 - Dual Switch

ELECTRIC LATCH RETRACTION



The LR option uses a solenoid mounted in pushbar for instantaneous unlocking and locking of the exit device from a remote location or access control device. Because electrical operation of device is fail-secure, this option can be used on fire-rated as well as life-safety applications. In the event of a power failure device automatically relatches. Requires the use of PS-LR Power Supply, which will power two exit devices. (Using an alternate to the PS-LR Power Supply will void warranty).

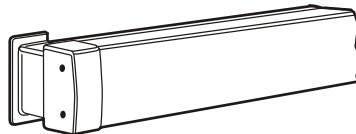
Specify by adding "LR" after exit device model number. Order PS-LR Power Supply separately. Order Battery Backup Kit separately (BBK-LR).

Solenoid Specifications:

16 Amps Inrush/.5 Amps Hold
Solenoids are rated for both intermittent and continuous operation.
Also see 4612 Power Transfer.

MONITORED DUMMY PUSHBAR

- 8099M1 - Single Switch
- 8099M2 - Dual Switch
- 8099-00 - Dummy Only



Dummy pushbar with no latch mechanism but with either a single or dual monitor/signal switch. Most common application is in conjunction with a maglock where bar is used to turn off magnet and allow exit from building. Dual switch version allows redundancy where required by code or the operation of a signal device along with maglock. Specify door type and width when ordering. Available in all exit device finishes.

The 8099-00 is also available as a non-operating dummy for doors not requiring an exit device, but where matching trim is desired. Specify door type, opening width and finish to be matched.

ALARMED EXIT DEVICE



For all Adams Rite Exit Devices

This option emits a loud alarm to notify management of unauthorized exit. Will not alter the Life-Safety characteristics of the exit device in any way. Control of the alarm is by use of a key in any standard Mortise cylinder with MS® cam to arm, disarm, delay or reset the alarm. Red letters on the bar give a "hands off" warning to deter accidental actuation.

Battery Operated Alarm

Four AA alkaline batteries power a horn to create a piercing 95 decibel noise for two minutes (or until disarmed) when pushbar is depressed. Beeps to signal need for new batteries.

Hardwired Alarm

Can be connected to external horn for louder or remote signal. Remote monitor LED light can also be wired in, as can a door position proximity switch. Also accommodates an external delay switch, such as an outside key switch or pad, to allow authorized entry. Uses rechargeable nicad batteries connected to 12-24 Volt AC or DC source. Each bar has its own battery backup system.

Minimum opening width: 36"

CYLINDER DOGGING

For all non-fire rated Adams Rite Exit Devices

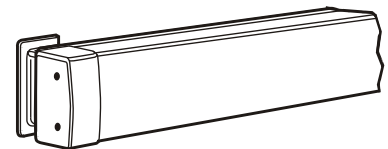


For management control of dogging. Any standard 15/16" to 1-1/8" long Mortise cylinder with MS® cam can be used in a pushbar prepared at factory with Cylinder Dogging kit. Cannot be used with Alarm, EL or LR options.

Specify by adding "C" after exit device model number.

ELECTRIC DOGGING

For all Adams Rite Exit Devices



The "ED" option uses a holding magnet to keep the pushbar depressed (set manually) and the latch retracted. This gives a lower profile exit device, resulting in less damage and quieter operation. All "ED" devices include an internal microswitch that signals when the bar is held in the depressed position, ideal for automatic door operators. On fire-rated devices, it must be wired through the fire alarm system. All devices operate at 24VDC, drawing .6 amp, allowing them to operate with a simple transformer and rectifier.

Note: Not to be used as access control element. Specify "LR" with access control devices such as card reader or keypads.

Specify by adding "ED" after exit device model number (ex. 8611ED36).