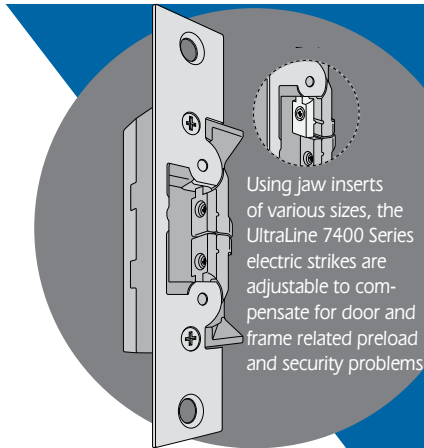


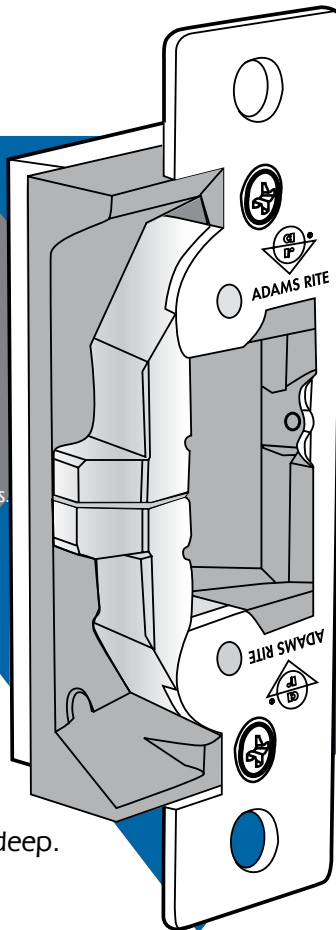
VOLTAGE		
Field selectable to match power source of 12, 16, or 24 VAC/VDC.		
CURRENT DRAW/AMPS		
Volts	AC	DC
12	.163	.440
16	.228	.458*
24	.084	.230

*Requires 16 VDC adapter (P/N VA 7400-16VDC)

Opens electrically under 35lbs. of preload!



Listed for Burglary Resistance (UL1034)



ULTRA LINE

7400, 7401

ANSI/BHMA Type EO9321 (Grade 1)

LATCH TYPE	
	Adams Rite or Cylindrical Latches with 1/2" to 5/8" Projection
DOOR FRAME TYPE	
	7400 Aluminum Jamb
	7401 Aluminum Stiles

Faceplate

Measures 1-1/4" x 4-7/8". 7400 has flat faceplate; 7401 is radiused to match nose on inactive leaf in a pair of aluminum stile glass doors. Available in a wide range of architectural finishes.

Function

Remote electrical control of any door equipped with an Adams Rite Series 4500/4700/4900 (or similar) deadlatch or "key-in-lever/cylindrical" sets. Electrical actuation unlocks strike jaw, releasing latchbolt so door can be opened without operating latch itself. Extremely compact mechanism fits into aluminum jamb (or opposing door) sections as shallow as 1-1/16". Direct replacement for 7500/7800/7000/7100 series.

This non-handed strike features an ultra-compact design and an adjustable stainless steel split-jaw with over 2400lbs. of holding force in fail-secure mode. The strike releases electrically with up to 35lbs. of door "preload" (pressure exerted on doors by air conditioning systems, warping or misaligned hardware which can disable common electric strikes). Single solenoid operates on 12, 16, or 24 volt AC/DC power. Strikes are equipped with a quick connect plug-in type connector.

Case

Approx. 1" x 3-3/8" x 1-1/16" deep. Zinc-aluminum alloy.

Strike Lip

Basic 7400 strike has lip of proper length for 1-3/4" thick door that closes flush with jamb edge. Where door thickness or jamb shape differs from this standard relationship, lip extension kits available. (Not available on 7401.)

Fail-Safe/Fail-Secure

Field selectable at time of installation.

Strike Opening

5/8" Adjustable x 1-7/16" x 1/2" deep. Bolt retainer jaw is stainless steel. Strike accepts bolt of any Adams Rite 4500/4700/4900 Series deadlatch or cylindrical latches.

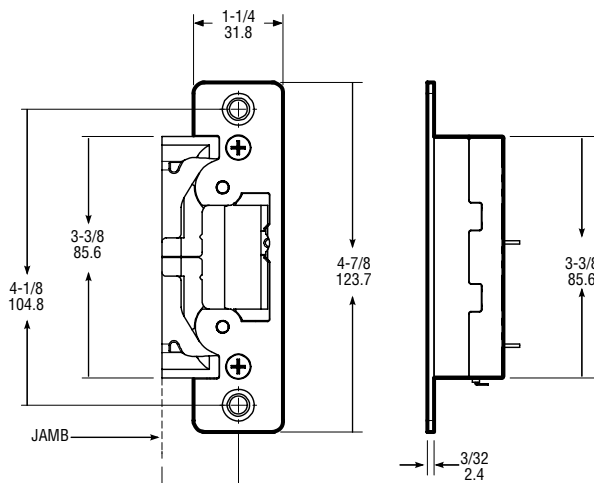
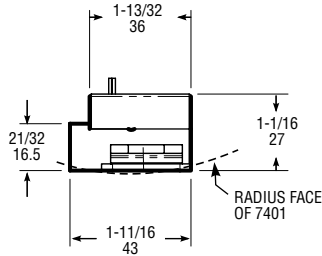


7400, 7401 Electric Strikes

DIMENSIONS

INCHES
MILLIMETERS

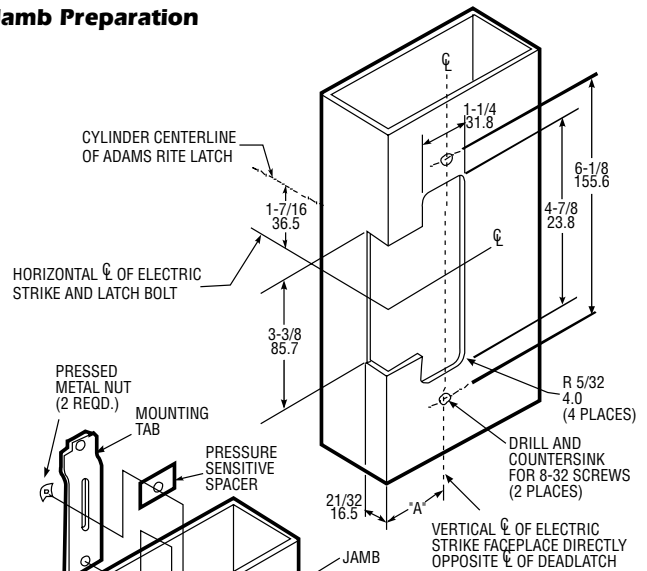
Nominal, subject of tolerance extremes



STANDARD UNIT FITS DIM "A" 1-1/16"
MOUNTING BACKSETS FURNISHED

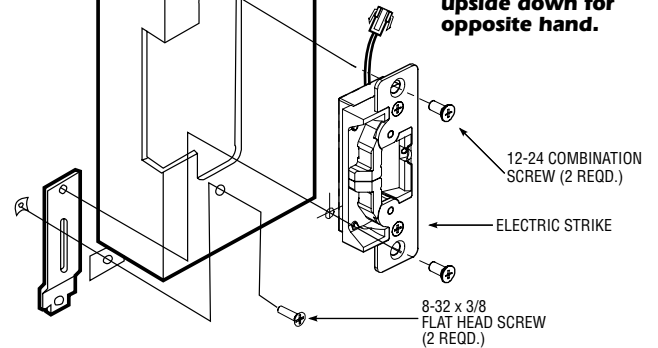
INSTALLATION

Jamb Preparation



Installation

Turn strike upside
upside down for
opposite hand.



HOW TO ORDER

Specify quantity and the following information.
Order related hardware separately.

Fail-secure can be field
converted to fail-safe
or vice versa.

Specify Model

7400 Flat
7401 Radius**

Options

- None
- M** Monitored
- A** Modular Pack - Body Kit*

7400 M 628

Finish

- 628** Clear Anodized
- 605** Bright Brass
- 606** Satin Brass
- 611** Bright Bronze
- 612** Satin Bronze
- 313** Dark Bronze Anodized
- 335** Black Anodized
- 629** Bright Stainless
- 630** Satin Stainless

Ritecoat Finish (7401 only)

- 130** to match 628 Clear Anodized
- 121** to match 313 Dark Bronze Anodized
- 119** to match 335 Black Anodized

*Modular Packing Program - match body kit with faceplate kit to complete. Use 7400A for standard jambs and 7401A for radius stile mounting. No finish designation required.

STANDARD PACKAGE

Individually boxed with mounting screws, mounting tabs, adhesive shims to accommodate jamb or stile extrusion thickness greater or less than nominal 1/8", an adjustable jaw shim pack and two plug-in voltage adapters for 12/16/24 VAC and 12/24 VDC.

OPTIONS

Monitoring - Two internally mounted switches (Form "C") to indicate when the latchbolt is engaged in the strike jaws and a locked/unlocked solenoid status. See page ES-12 for more details.

Power Sources - 4605/4606 Transformer, 4603 Rectifier, and PS-1 Power Supply. See page ES-7 for more details.

Lip Extension Kits - See page ES-7 for a complete list.

Modular Packaging - Consult factory or sales representative for details.

ELX-ElectroLynx™ Adapter - Connects Adams Rite electrified products to ElectroLynx system.

16 VDC Adapter - VA7400-16VDC required when using 16VDC power.