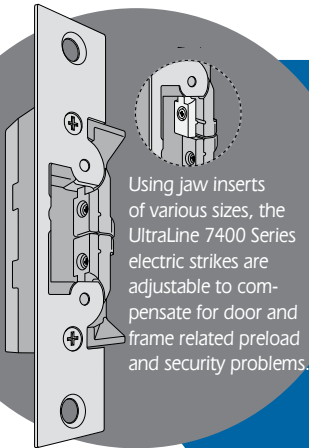
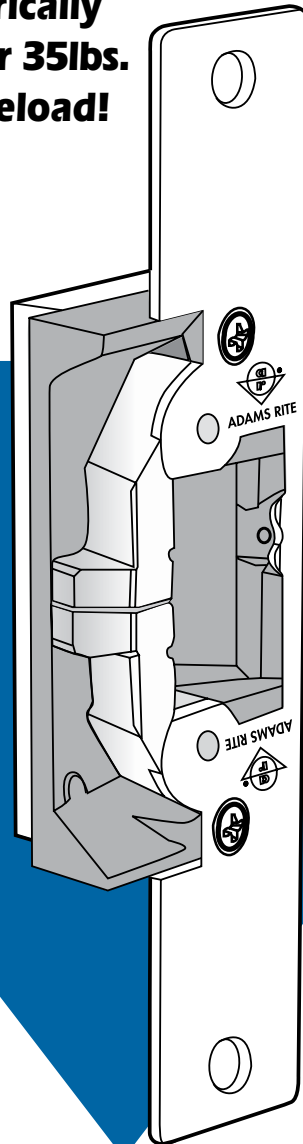


VOLTAGE		
Field selectable to match power source of 12, 16, or 24 VAC/VDC.		
CURRENT DRAW/AMPS		
Volts	AC	DC
12	.163	.440
16	.228	.458*
24	.084	.230

*Requires 16 VDC adapter (P/N VA 7400-16VDC)

Opens electrically under 35lbs. of preload!



Using jaw inserts of various sizes, the UltraLine 7400 Series electric strikes are adjustable to compensate for door and frame related preload and security problems.



Listed for Burglary Resistance (UL1034)

▼ Case

Approx. 1" x 3-3/8" x 1-1/16" deep. Zinc-aluminum alloy.

▼ Strike Lip

Basic 7400 strike has lip of proper length for 1-3/4" thick door that closes flush with jamb edge. Where door thickness or jamb shape differs from this standard relationship, lip extension kits available.

▼ Fail-Safe/Fail-Secure

Field selectable at time of installation.

▼ Strike Opening

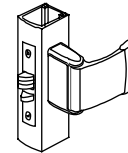
5/8" Adjustable x 1-7/16" x 1/2" deep. Bolt retainer jaw is stainless steel. Strike accepts bolt of any Adams Rite 4500/4700/4900 Series deadlatch or cylindrical latches.

ULTRA LINE

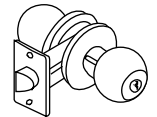
7410, 7411

ANSI/BHMA Type EO9321 (Grade 1)

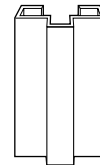
LATCH TYPE



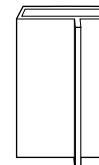
Adams Rite or Cylindrical Latches with 1/2" to 5/8" Projection



DOOR FRAME TYPE



Hollow Metal



Narrowline Aluminum



Wood

▼ Faceplate

Measures 1-7/16" x 7-15/16" (7410) and 10-1/4" (7411). Available in a wide range of architectural finishes.

▼ Function

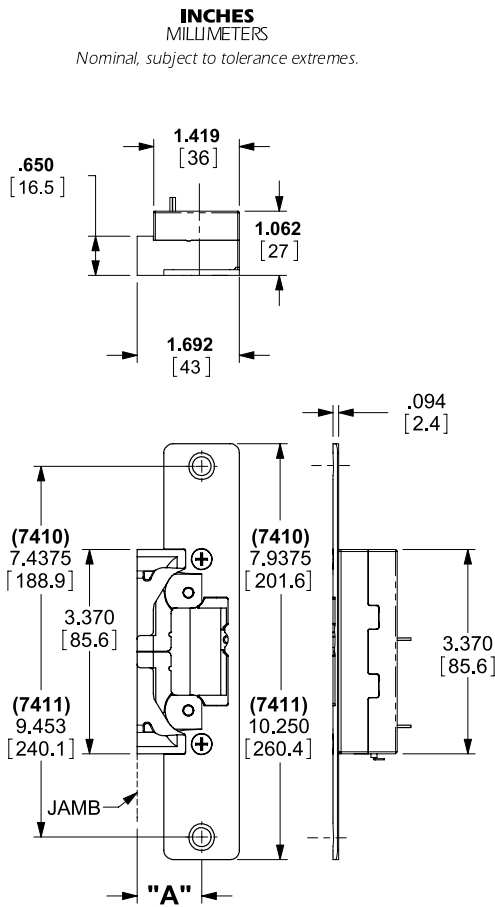
Replaces earlier 002, 7510, 7810 or 7110 electric releases in either metal or wooden jambs for remote electrical control of any door equipped with cylindrical latchset or Adams Rite Series 4500/4700/4900 (or similar) deadlatch. Electrical actuation unlocks strike jaw, releasing latchbolt so door can be opened without operating latch itself. Extremely compact mechanism fits into jamb sections as shallow as 1-1/16".

This non-handed strike features an ultra-compact design and an adjustable stainless steel split-jaw with over 2400lbs. of holding force in fail-secure mode. The strike releases electrically with up to 35lbs. of door "preload" (pressure exerted on doors by air conditioning systems, warping or misaligned hardware which can disable common electric strikes). Single solenoid operates on 12, 16, or 24 volt AC/DC power. Strikes are equipped with a quick connect plug-in type connector.



7410, 7411 Electric Strikes

DIMENSIONS



STANDARD UNIT FITS DIM "A"
UP TO 1.06" ORDER LIP EXTENSION
KITS AS REQUIRED.

HOW TO ORDER

Specify quantity and the following information.
Order related hardware separately.

Fail-secure can be
field converted to
fail-safe or vice versa.

Faceplate Length
7410 7-15/16"
7411 10-1/4"

Options
- None
M Monitored

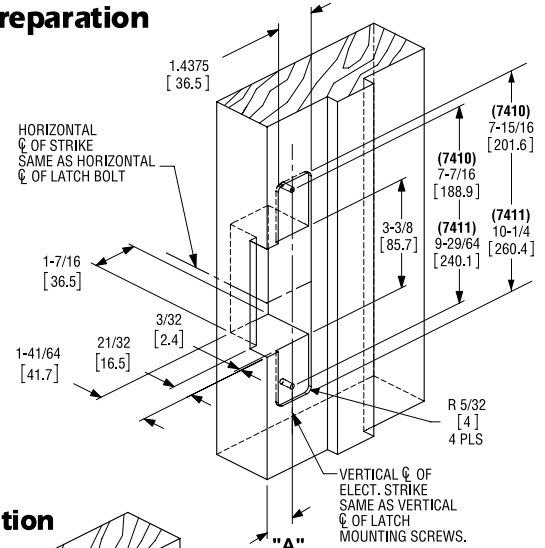
7410 **M** **628**

Finish
628 Clear Anodized
313 Dark Bronze Anodized
335 Black Anodized
630 Satin Stainless

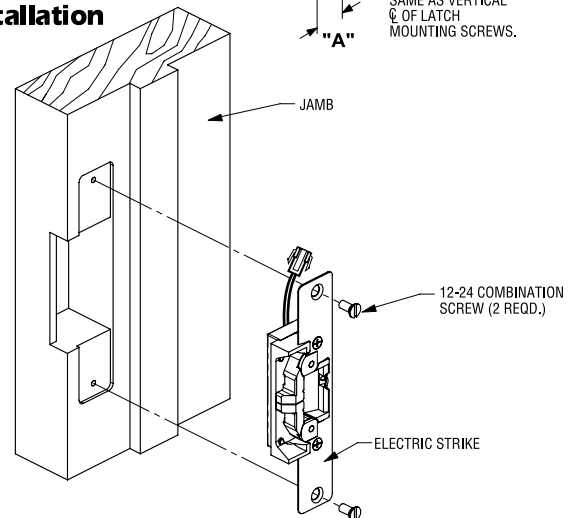
*Modular Packing Program - match body kit with faceplate kit to complete. Use 7400A for standard jambs and 7401A for radius stile mounting. No finish designation required.

INSTALLATION

Jamb Preparation



Installation



STANDARD PACKAGE

Individually boxed with mounting screws, mounting tabs, adhesive shims to accommodate jamb or stile extrusion thickness greater or less than nominal 1/8", an adjustable jaw shim pack and two plug-in voltage adapters for 12/16/24 VAC and 12/24 VDC.

OPTIONS

Monitoring - Two internally mounted switches (Form "C") to indicate when the latchbolt is engaged in the strike jaws and a locked/unlocked solenoid status. See page ES-7 for more details.

Power Sources - 4605/4606 Transformer, 4603 Rectifier, and PS-1 Power Supply. See page ES-7 for more details.

Lip Extension Kits - See page ES-7 for a complete list.

Modular Packaging - Consult factory or sales representative for details.

ELX-ElectroLynx™ Adapter - Connects Adams Rite electrified products to ElectroLynx system.

16 VDC Adapter - VA7400-16VDC required when using 16VDC power.