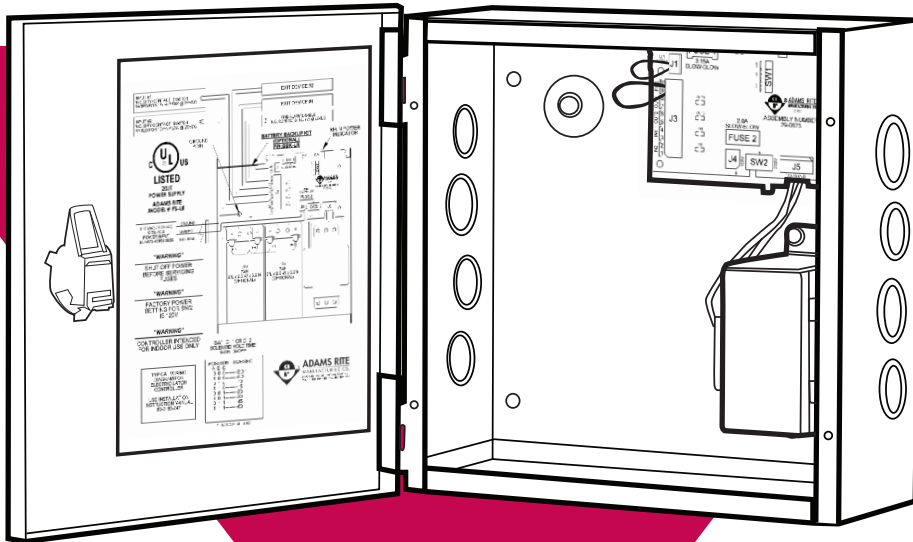


PS-LR Power Supply

Linear Power Supply with optional battery back-up for Vertical Rod and Mortise type exit devices with Electric Latch Retraction (LR) option.



▼ Input Power

115 VAC or 230 VAC, 0.7A/0.4A

▼ Primary Fuse

The PS-LR has two user serviceable fuses:
F1: Transformer Output: 6.3A/250V 5x20MM
F2: Transformer Input: 3.15A/250V5X20MM

▼ Operating Modes

The PS-LR is designed to power up to two 3000LR or 8000LR exit devices in the operating modes.

Sequential Mode – A single input switch (Dry Contact) operates two devices in sequential operation. Ideal for a double-door setup.

Independent Mode – Each LR exit device is controlled by its own input switch.

▼ Open Hold Times

The PS-LR has two open hold timers. Hold-open time settings are adjustable from 2-60 seconds.

▼ Enclosure

Hinged, steel cabinet measures 10" x 10-3/8" x 4-1/8". Blue, baked enamel finish, with knockouts for conduit connections. Sized to accommodate 2 sealed lead acid batteries (7AH, not included).

▼ Description

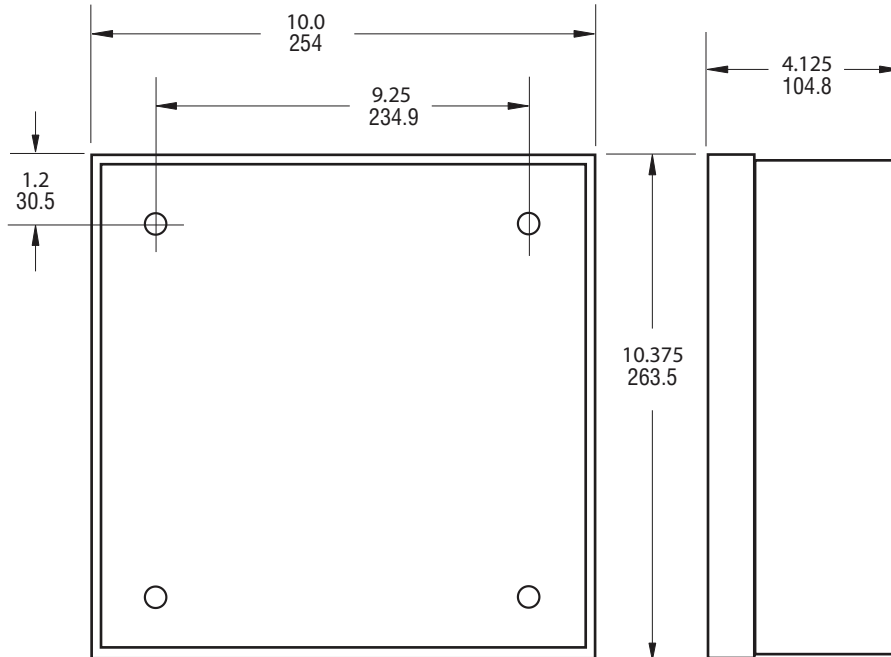
This Adams Rite Power Supply is required for the Electric Latch Retraction option on the Vertical Rod and Mortise types of exit devices. It operates at 28 VDC to power up to two LR exit devices in sequential or independent modes. The PS-LR is also equipped with a fire alarm disconnect interface circuitry.



Options and Accessories

DIMENSIONS

INCHES
MILLIMETERS
Nominal, subject to tolerance extremes.



PSLR LAYOUT AND WIRING

OPTIONS:

Order battery backup kit (BBK-LR) to add battery backup capability to the PSLR. The enclosure is sized to accommodate two 12 volt-7AH sealed lead acid batteries (not included).

OTHER ACCESSORIES:

See page PS-3 for 4612 Power Transfer Device

