

Detex Corporation, 302 Detex Drive, New Braunfels, Texas 78130 (830)629-2900 /1-800-729-3839 /FAX(830)620-6711
E-Mail: detex@detex.com Internet: www.detex.com

INSTALLATION INSTRUCTIONS, DOUBLE DOOR HOLDER, DDH-2250

NOTE

The DDH-2250 is shipped for installation on the right hand door, as shown in figure 1. If the right-hand door is to be the active leaf, change the bolt position in the DDH as described below and install it on the left-hand door.

ADDITIONAL HARDWARE REQUIREMENTS

A double-door strike is required.

For the Detex ECL-8000 series exit control locks, use a Detex ECL-2425K strike.

For the Detex ECL-230D, use the Detex ECL-435K strike.

OPERATION

The inactive leaf must close first. When the active door is closed, the release bolt on the back of the DDH hits the strike plate on the door and pushes the locking bolt into the retaining plate on the door frame.

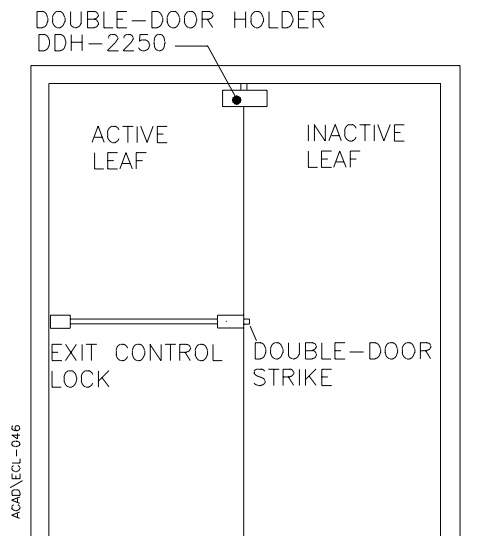


FIGURE 1.- TYPICAL INSTALLATION

CHANGING THE POSITION OF THE RELEASE BOLT

Remove the cover. (An Allen wrench is provide for this purpose.)

Note the cross-bar in the case. It is held in place by two screws and a plate at each end. Remove the screws and plate at one end only and remove the bar.

Remove the release bolt and install it in the opposite hole.

Do not install the bar at his time.

INSTALLATION

Templates are provided for installation on either door, left or right. Select the proper template and follow the instructions on the template for door and frame preparation.

Install the retainer plate on the frame and the strike plate on the active door. Use two flat head screws for each plate.

Remove the cover from the DDH and remove the cross-bar in the base.

Open the doors and install the base on the inactive door with five pan-head screws.

Install the cross-bar in the base and remove the pin holding the locking bolt.

Install the cover.

PROBLEMS?

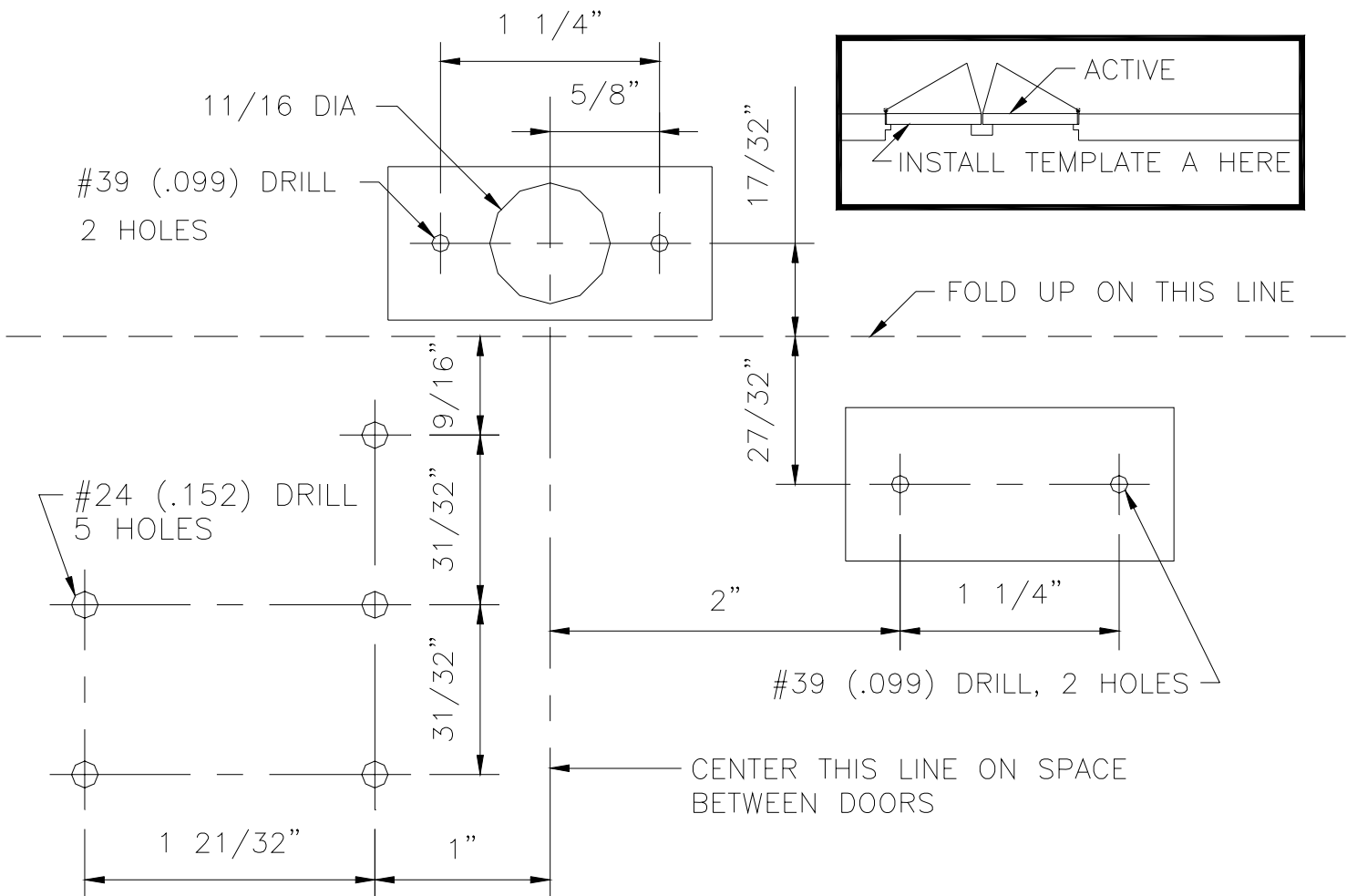
Contact Customer Service at
1-800-729-3839

NOTE: DIMENSIONS MAY NOT BE ACCURATE WHEN PRINTING FROM WEBSITE

PLEASE CONFIRM DIMENSIONS WITH RULER BEFORE USE

TEMPLATE A.— FOR RH ACTIVE DOOR

INSTALL TEMPLATE ON INSIDE SURFACE OF OUTSWINGING DOOR



NOTE: DIMENSIONS MAY NOT BE ACCURATE WHEN PRINTING FROM WEBSITE
PLEASE CONFIRM DIMENSIONS WITH RULER BEFORE USE

TEMPLATE B.— FOR LH ACTIVE DOOR
INSTALL TEMPLATE ON INSIDE SURFACE OF OUTSWINGING DOOR

