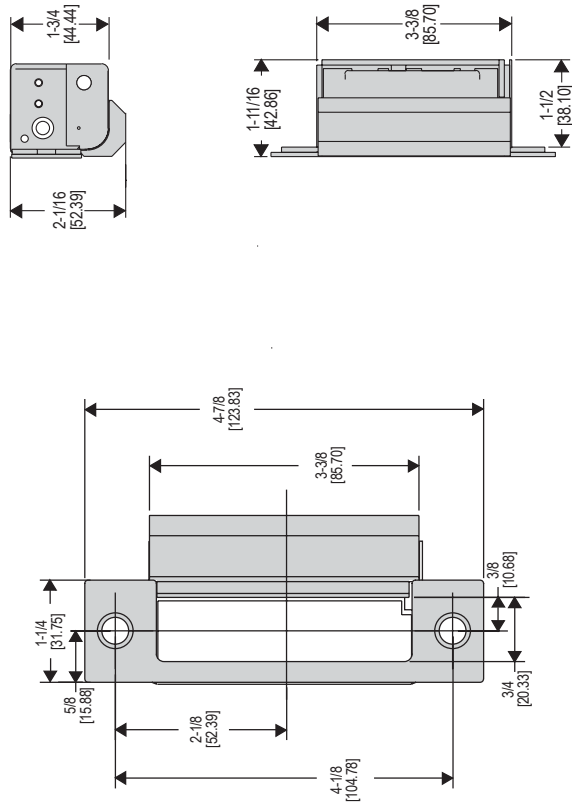


1006 SERIES HEAVY DUTY ELECTRIC STRIKES

INSTALLATION INSTRUCTIONS •

Please read carefully before attempting installation.

1006 SERIES DIMENSIONS



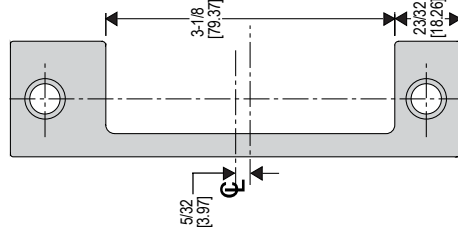
Hanchett Entry Systems, Inc.
22630 N. 17th Ave.
Phoenix, AZ 85027
www.hesinnovations.com

DIMENSIONS:
INCH/MM

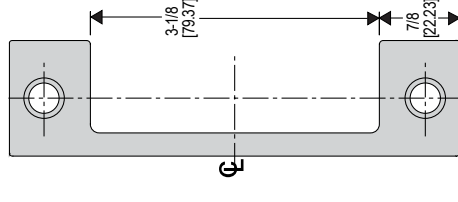
Technical Service Dept. Helpline 800-626-7590 623-582-4626



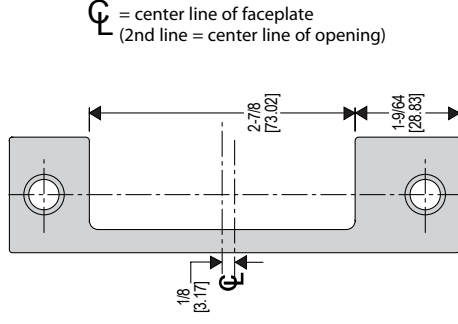
AD, HD, ND, TD -
OPTION
FACEPLATE



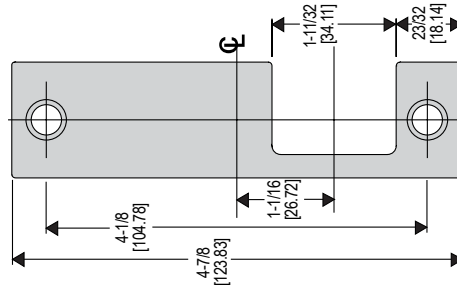
A, H, HT, N, T -
OPTION
FACEPLATE



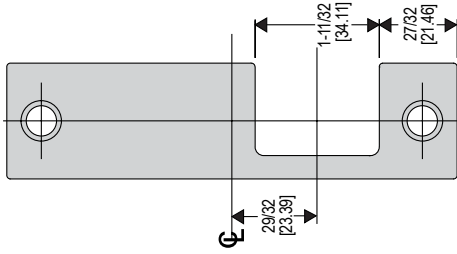
AM, HM, NM -
OPTION
FACEPLATE



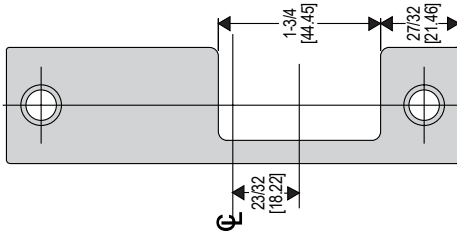
KD - OPTION
FACEPLATE



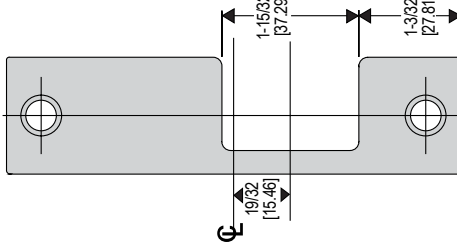
K - OPTION
FACEPLATE



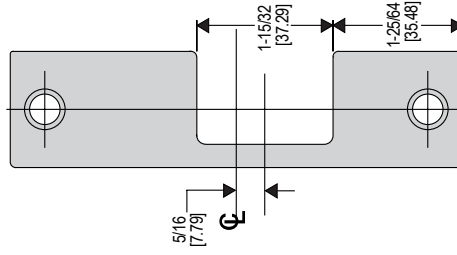
R - OPTION
FACEPLATE



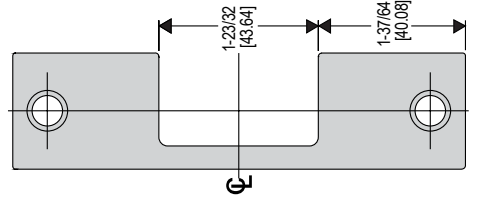
KM - OPTION
FACEPLATE



Z - OPTION
FACEPLATE



J, E - OPTION
FACEPLATE



4036006.001 rev B

©HES 2005

NOTE: Drawings are not to scale. This information is subject to change without notice. For questions, consult HES technical service helpline, 800-626-7590.

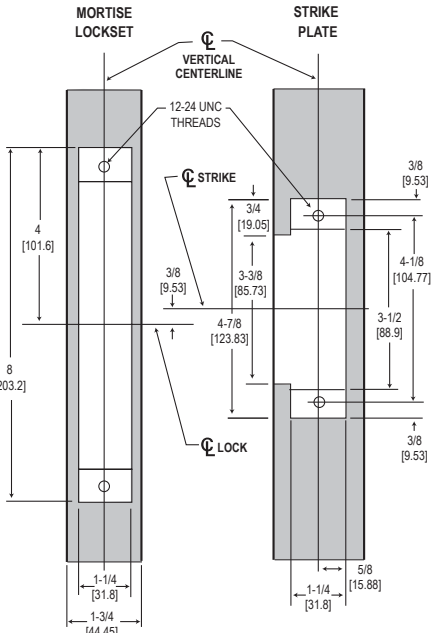
ASSA ABLOY, the global leader in door opening solutions

1006 Series Installation Instructions

FIG. 1
MORTISE LOCKSET DOOR & STRIKE JAMB DESCRIPTION

Please note the horizontal centerline of electric strike in reference to the horizontal centerline of the mortise lockset.

INCH [MM]



1. Prepare door jamb per appropriate template detail. (See Figures 1-5). (See NOTE 1.)
2. Install mounting tabs, when applicable. (P/N 152: universal mounting tabs) using four 10-32 UNF screws (see Figure 5). Do not tighten.
3. Unplug wire pigtail from electric strike.
4. Connect wires coming from the low voltage power source (see wiring diagrams and electrical specifications on page 6) to the electric strike pigtail.
5. Re-connect the pigtail to the electric strike.
6. Install electric strike and option faceplate to jamb, using two 12-24 UNC machine screws or wood screws provided in the option package.
7. Tighten the four 10-32 UNF screws holding mounting tabs (when applicable).

NOTE 1: It is important to allow enough space behind the electric strike in the jamb cut-out for the wires. Bunching the wires inside the electric strike body may cause the unit to not operate properly.

NOTE 2: Use only the mounting screws and hardware supplied with the product for installation. Do not substitute installation fasteners or hardware.

NOTE 3: HES offers a universal mounting tabs & universal Metal Template Kit (P/N 154:MTK), sold separately, to simplify the installation procedure.

FIG. 2
CYLINDRICAL LOCKSET DOOR & STRIKE JAMB DESCRIPTION

Please note the horizontal centerline of electric strike in reference to the horizontal centerline of the cylindrical lockset.

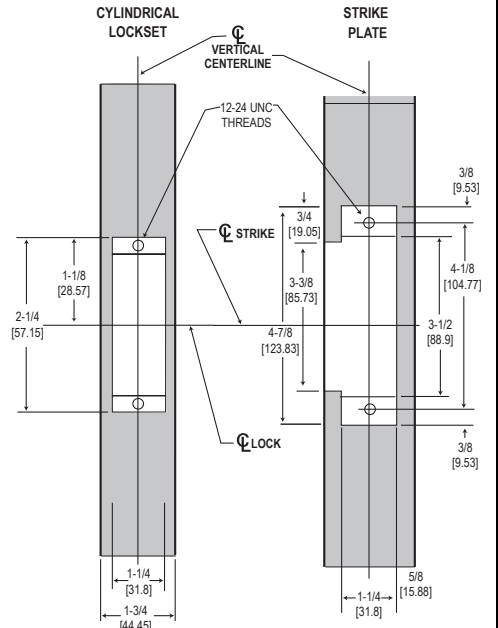


FIG. 3
METAL JAMB INSTALLATION FOR 1006 SERIES FACEPLATES

Cutout dimensions for option faceplates: J, K, KM, N, NM, A, AM, H, HM, HT, T, Z, R and E.

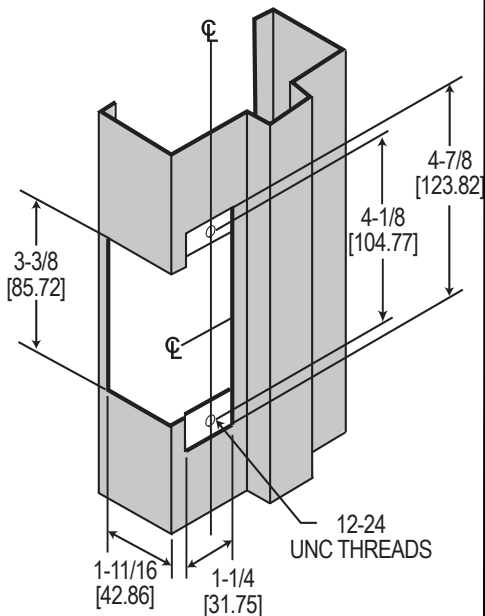


FIG. 4
METAL JAMB INSTALLATION FOR 1006 D SERIES FACEPLATES

Cutout dimensions for option faceplates: KD, ND, AD, HD AND TD.

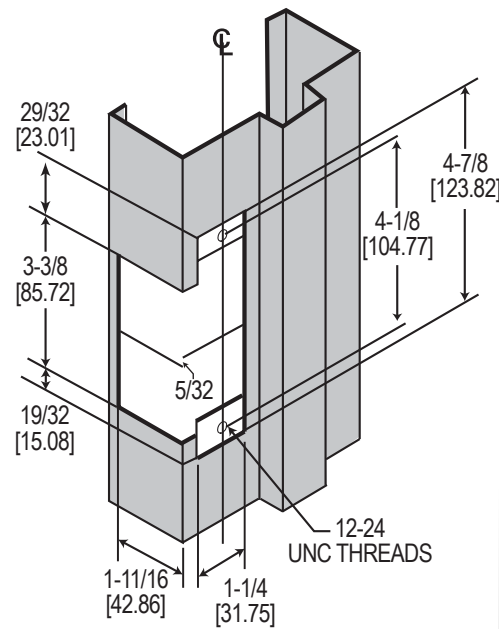
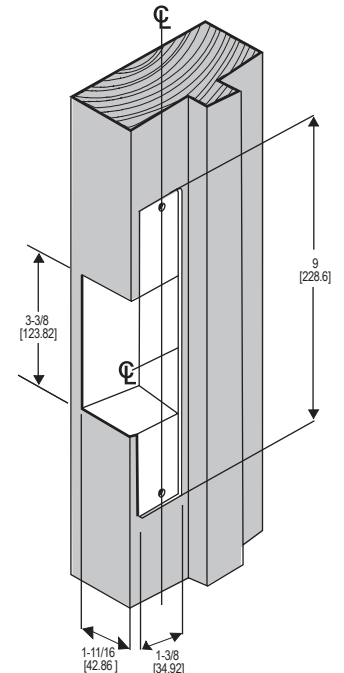


FIG. 5
WOOD JAMB INSTALLATION FOR 1006-2 SERIES FACEPLATES

Cutout dimensions for option faceplates: J2, K2, KM2, N2, T2, H2, A2



Wiring diagram for 12/24 volts

FIG. A

12 VOLT DC

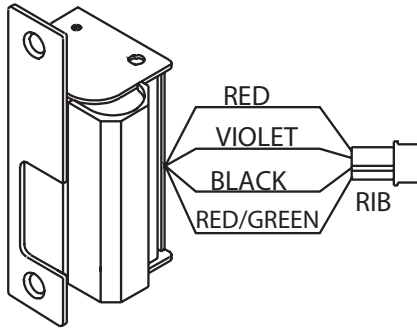
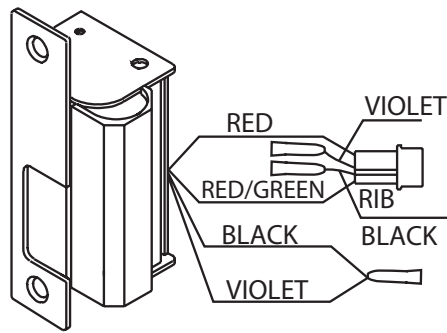


FIG. B

24 VOLT DC



NOTE: The 1006 is supplied as a 12 volt DC unit. For 24 volts DC, see figure B.

INSTRUCTIONS:

1. Cut the violet and black wires.
2. Splice the violet and black wires together that are coming out of the strike. Connect the violet and black wires together with connector.
3. Individually cap the remaining two wires coming out of the pigtail.
4. The unit is now 24VDC.

(Wiring methods and materials shall be in accordance with the National Electric Code, ANSI/NFPA 70, 1996. This unit must be powered from a UL listed limited energy power source.)

CAUTION! Before connecting any device at the installation site, verify input voltage and current using a multimeter. Many power supplies and transformers operate at higher levels than listed. Any input voltage exceeding 10% of the solenoid rating may cause severe damage to the unit and will void the warranty.

- U.L. and U.L.C. listed for fire door accessory, category 10C (file #843X), for use with 3 hour "A" labeled doors (fail secure only)

- U.L. listed for burglary resistance, category 1034 (file #51WK)

- ANSI A250.13-2003 Windstorm Resistant

U.L. Tested
Standard UL 1034 listed for:

- 1500 lbs. static strength rating
- 70 foot-lbs dynamic strength rating
- 250,000 cycles endurance rating

Note: At the request of HES this model was tested and verified by UL for the following voluntary (not required) ratings:

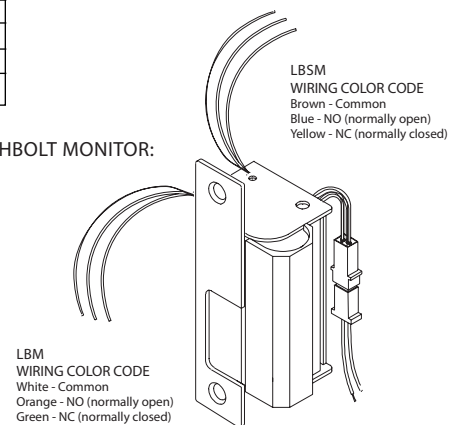
- 3,000 lbs static strength rating
- 2,000,000 cycles of operation

| ELECTRICAL RATINGS FOR SOLENOID | Continuous Duty | |
|---------------------------------|-----------------|-----------------|
| | 24 VDC (± 10%) | 12 VDC (± 10%) |
| Resistance in Ohms | 100 | 25 |
| Watts Seated | 6 | 6 |
| Amps Seated | .24 | .48 |

Solenoids are rated at +/- 10% indicated value

| MINIMUM WIRE GAUGE REQUIREMENTS | Solenoid Voltage | |
|---------------------------------|------------------|----------|
| | 24 VDC | 12 VDC |
| 200 feet or less | 18 gauge | 18 gauge |
| 200 - 300 feet | 18 gauge | 16 gauge |
| 300 - 400 feet | 16 gauge | 14 gauge |

1006 LATCHBOLT MONITOR:

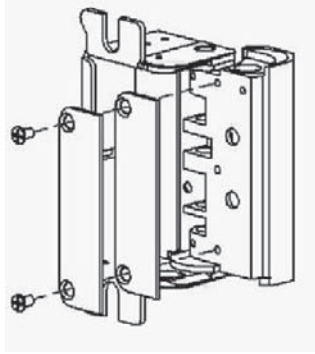


Optional LBM/LBSM Wiring Information
(LBM/LBSM ordered separately)

FIVE YEAR LIMITED WARRANTY

For any questions regarding this information, call our Technical Service Line at 1-800-626-7590

1000 Series Full Keeper Shims



Designed to provide horizontal adjustment to reduce the width of the strike cavity. Install one or both of the shims on the inside of the keeper as needed.