

Max 3 Access System

OVERVIEW:

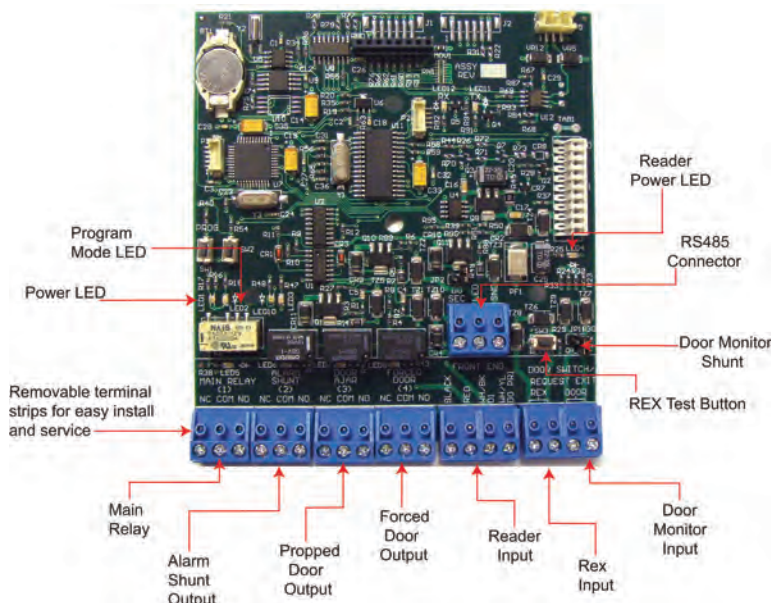
IEI Secured Series Max 3 access system with Hub Manager Professional software is a powerful and easy-to-use solution for small to mid-sized applications. The Max 3 system provides a secure and trusted access control system that uses hardware architecture that is based upon IEI's Secured Series HubMax II system. The Max 3 system is available in two cabinet configurations – Max 3 system and MiniMax 3. System expansion is made simple with the modular design of the two available configurations.

Expanded features and functionality are achieved when the system is programmed with IEI's Hub Manager Professional software. The software provides fast and easy setup with its included video tutorials and setup wizards. Communication to the access system hardware from a PC can be either over a LAN/WAN connection or through a RS485 serial connection. Both communication methods are made easy with IEI's communication accessories. The SEG-M is a secure TCP/IP adapter and the USB-Serial or the IEI232-485 serial adapters make direct PC connection virtually effortless.

All door settings and user information are programmed into the Max 3 door control module (p/n: Max3Mod).

NEW FEATURE SUMMARY:

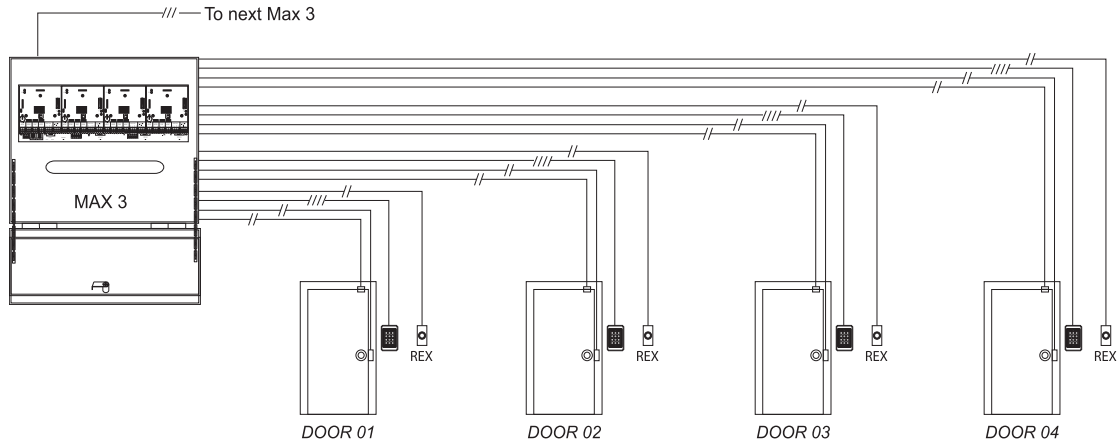
- Supports Wiegand and IEI Secured Series readers.**
 Max 3 supports both in and out readers connected directly to the module. Max 3 supports any Wiegand format up to 39 bits. Supports sounder and LED control.
- Faster and more reliable communications** – Imports transactions in $\frac{1}{3}$ of the time as compared to the HubMaxII system. The Max 3 system doors will continue to operate normally during a log import or a system export.
- Hub Manager Professional software operational features: System Dashboard** – Lock and unlock system door[s] with a click of the mouse from the software and view the door status or event log through “System Dashboard.”
- Added panel diagnostics** for faster installation and improved troubleshooting of communication and relay status on each module.



Max 3 Module - All transaction events are stored, and system programming decisions are made, in the Max 3 Module. Up to 64 door modules can be networked together per site with virtually unlimited sites.

Choose the cabinet configuration that best fits the application. Mix and match cabinet configuration in any system for the ultimate in system flexibility.

To Network or PC

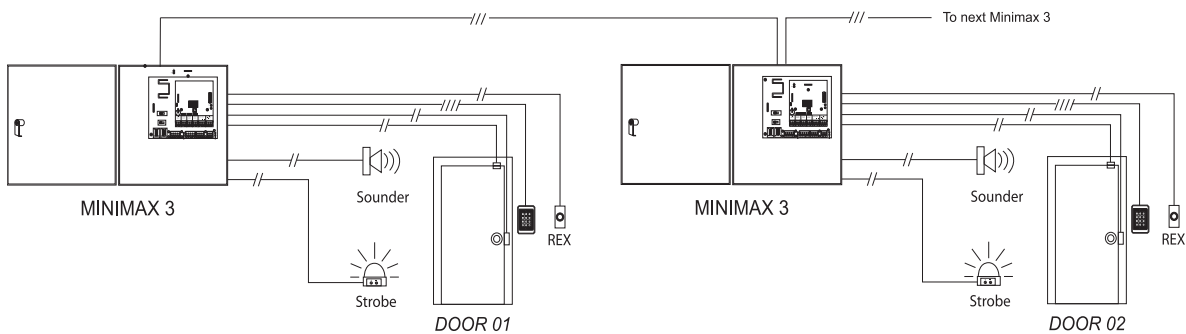


Max 3 – The Max 3 cabinet configuration provides the simplest expansion of one to four doors per cabinet when the system needs to be installed in a central location.



Max 3

To Network or PC



MiniMax 3 – The MiniMax 3 configuration is ideal for applications where the doors are far apart and/or the control is located at the door.



MiniMax 3

Hub Manager Professional “System Dashboard”

The latest major feature addition to Hub Manager Professional system software is the “System Dashboard”. This powerful application allows the software operator to view the status of system doors and access system events as they happen. These events are stored in the Max 3 door control module and can be imported for further reporting and historical archive. Another feature of “System Dashboard” is the ability to lock or relocate any system door from a PC.

Hardware and Software features

SOFTWARE FEATURES:	MAX 3 HARDWARE FEATURES:
<ul style="list-style-type: none"> • System set up checklist <ul style="list-style-type: none"> - Hyperlinked to each step with video tutorial 	<ul style="list-style-type: none"> • Distributed processing
<ul style="list-style-type: none"> • Easy to use set up wizard 	<ul style="list-style-type: none"> • Network up to 64 doors per site and unlimited sites
<ul style="list-style-type: none"> • System Dashboard <ul style="list-style-type: none"> - Lock/unlock doors at the PC - View status of each door - View transactions as they occur 	<ul style="list-style-type: none"> • Optional plug on network gateway (SEG-M)
<ul style="list-style-type: none"> • Manage from multiple PC’s 	<ul style="list-style-type: none"> • Support all Wiegand readers
<ul style="list-style-type: none"> • Customize each operator’s privileges 	<ul style="list-style-type: none"> • Card, PIN code, card and/or PIN code
<ul style="list-style-type: none"> • Supports Hub Max II; Max 3; prox.pad plus hardware panels 	<ul style="list-style-type: none"> • In and out readers
<ul style="list-style-type: none"> • Supports communication across network (TCP/IP) 	<ul style="list-style-type: none"> • Wiegand sounder and LED control
<ul style="list-style-type: none"> • Auto set up for LAN – dynamic device detection 	<ul style="list-style-type: none"> • Support formats up to 40 bits
<ul style="list-style-type: none"> • Supports serial communication 	<ul style="list-style-type: none"> • Supports Secured Series readers and keypads
<ul style="list-style-type: none"> • Supports wireless IR communications for LS2 Series access control locksets and prox.pad plus IR 	<ul style="list-style-type: none"> • 2000 users per Max 3 module
<ul style="list-style-type: none"> • Manage virtually unlimited sites 	<ul style="list-style-type: none"> • Door monitor and request to exit inputs
<ul style="list-style-type: none"> • Manage multiple device types simultaneously 	<ul style="list-style-type: none"> • Forced door output
<ul style="list-style-type: none"> • Communications troubleshooter feature 	<ul style="list-style-type: none"> • Propped door output
<ul style="list-style-type: none"> • Network query shows hardware type, firmware, and version 	<ul style="list-style-type: none"> • Alarm Shunt output
<ul style="list-style-type: none"> • i Update – easily update application automatically 	<ul style="list-style-type: none"> • First in auto-unlock
<ul style="list-style-type: none"> • 20,000 users in the database 	<ul style="list-style-type: none"> • 2,000 transactions buffered in audit trail
<ul style="list-style-type: none"> • Easily produce management reports 	<ul style="list-style-type: none"> • Diagnostic LED’s for communication and relay status
	<ul style="list-style-type: none"> • Daylight savings time auto update (2007 standard)

Note: For a complete list of system features and functionality, please visit ieib.com

The industry's only single door access control system kits.

We have pre-packaged the Max3 and MiniMax3 into system kits that include the Max 3 door control module, Hub Manager Professional software, proximity reader, and power supplies for the access system and a lock device. The grid below is the available configurations.

ORDERING INFORMATION:	
Max3 access control system kits (AWID, HID, xCeedID, and Casi/ProxLite compatible)	
Max3 SYS	IEI Max 3 single door access control system kit. Contains Max 3 Door Control Module and backplane to support 3 additional Max 3 control modules in oversized metal cabinet with cam lock. Includes XF 1050 proximity reader that is AWID, HID, xCeedID, and Casi/ProxLite compatible; Hub Manager Professional access control software; 12/24 VDC board power supply for locks; AC Transformer for system and AC transformer for lock power supply.
MiniMax3 SYS	IEI MiniMax 3 single door access control system kit. Includes metal cabinet, cam lock, AC transformer, built-in 12 VDC 1 Amp power supply, Max 3 Door Control Module (DCM). Includes Hub Manager Professional access control software, programming keypad, Includes XF 1050 proximity reader that is AWID, HID, xCeedID, and Casi/ProxLite compatible.
Max 3 expansion kits (HID; AWID; xCeedid; Casi ProxLite compatible)	
Max3Mod EX	IEI Max 3 Module single door access control kit for system expansion. Plugs into Max 3 backplane to expand system capacity one door at a time. Contains Max 3 Door Control Module and Includes XF 1050 proximity reader that is AWID, HID, xCeedID; Casi/ProxLite compatible.
Max 3 panel options (Reader purchased separately)	
Max3	IEI Max 3 single door access control panel. Contains Max 3 Door Control Module and Hub Manager Professional software.
MiniMax3	IEI MiniMax 3 single door access control panel. Includes Max 3 Door Control Module (DCM), built-in 12 VDC 1 Amp power supply, Hub Manager Professional software.
Max3Mod	IEI Max 3 Module single door access control module. Plugs into Max 3 backplane to expand system capacity one door at a time.

Note: All Max 3 systems require a communication module [optional RS232-485 converter, USB - serial converter, or SEG-M a TCP/IP Secure Ethernet Gateway Module.

