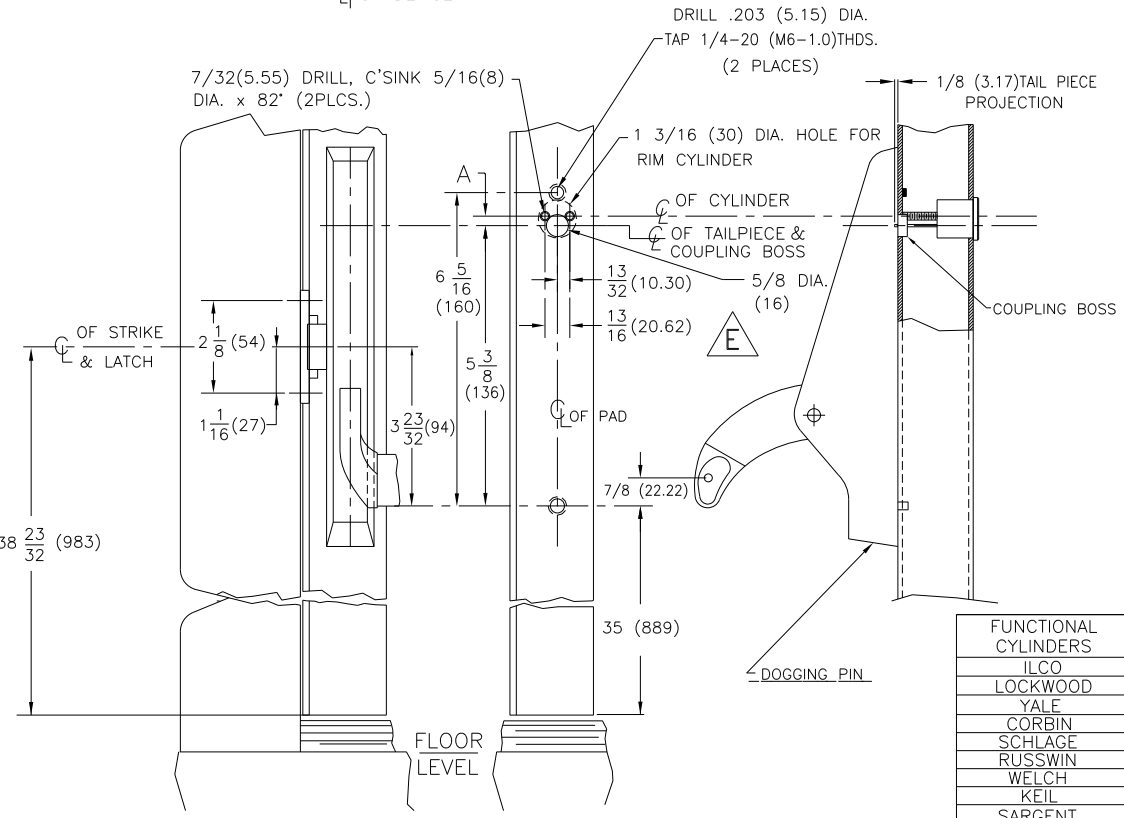
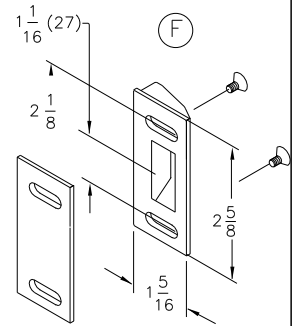
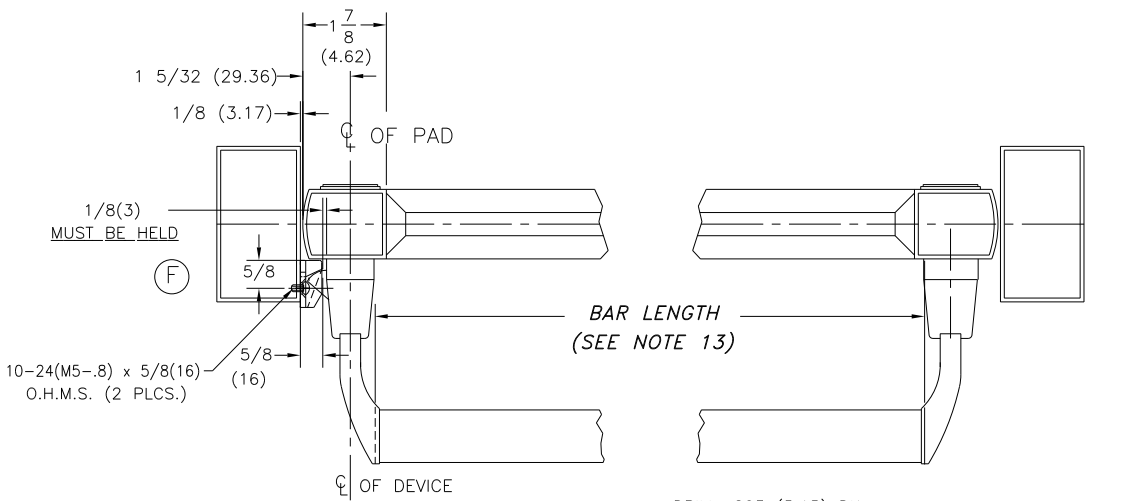


MOUNTING INSTRUCTIONS



1. DETERMINE HAND OF DOOR AND ESTABLISH CENTER LINE OF PADS ON STILES.
2. PREPARE STILES PER TEMPLATES:
10-484 TEMPLATE FOR ACTIVE STILE.
10-475 TEMPLATE FOR INACTIVE STILE.
3. DRILL CYLINDER MOUNTING HOLES ONLY IF REQUIRED
4. LOCATE CENTER LINE OF CYLINDER ON EXTERIOR SIDE OF ACTIVE STILE AND DRILL IF REQUIRED.
5. TRIM TAIL PIECE TO FIT AS SHOWN.
6. MOUNT CYLINDER IN PLACE AND SECURE WITH MOUNTING SCREWS. (SCREWS MUST BE FLUSH WITH DOOR.)
7. DETERMINE FUNCTION DESIRED:
A.) REGULAR FUNCTION KEY REMOVABLE IN EITHER LOCKED OR UNLOCKED POSITION. FULLY RELEASE LATCH THEN SET INDEX MARK ON COUPLING BOSS STRAIGHT UP.
B.) NIGHT LATCH FUNCTION: KEY REMOVABLE IN LOCKED POSITION ONLY. PREFORM STEP 'A' THEN ROTATE' COUPLING BOSS 90° TOWARDS HINGE SIDE.
8. DRILL .203 (5.16)DIA. AND TAP 1/4-20(M6-1.0) THD (4 PLCS.) ON ACTIVE AND INACTIVE STILES.
& INSTALL FOUR (4) 1/4-20 SHOULDER STUDS. MOUNT ACTIVE PAD TO STILE WITH THREE 1/4-20(M6-1.0) x 1/2(12.7) SOC. SET SCREWS.
9. LOCATE AND DRILL MOUNTING HOLES FOR ADJUSTABLE STRIKE. (CENTER ON LATCH)
10. MOUNT AND SECURE STRIKE AS SHOWN.
11. CHECK OPERATION TO ASSURE THAT ALL PARTS AND CYLINDER ARE FUNCTIONING PROPERLY. ADJUST AS REQUIRED.
12. MOUNT INACTIVE PAD TO STILE WITH THREE (3) 1/4-20(M6-1.0) x 1/2 (12.7) SOC. SET SCREWS.
13. CUT LENGTH OF PANIC BAR BY MEASURING FROM INSIDE TO INSIDE EDGE OF MOUNTING PADS. 1/32 (.79) FIT TO SIZE.
14. LOOSEN INACTIVE PAD. INSTALL AND SECURE PANIC BAR WITH TWO 1/4-20(M6-1.0) x1(25.4) OVAL HD.M.S. (PHIL.) RETIGHTEN PAD SET SCREWS.

DOGGING INSTRUCTIONS:
TO DOG- DEPRESS CROSS BAR TURN KEY TOWARD LOCK SIDE OR PUSH DOGGING
TO UNDOG- DEPRESS CROSS BAR TURN KEY TOWARD LOCK SIDE OR ROTATE DOGGING PIN UNTIL IT RELEASES.

FUNCTIONAL CYLINDERS	DIM. A
ILCO	1/4 (6.35)
LOCKWOOD	
YALE	
CORBIN	
SCHLAGE	
RUSSWIN	
WELCH	
KEIL	
SARGENT	

FILE NO.	INCORPORATE SINTERED ROLLER-LESS "C" STRIKE	ECN1625	RM
NEXT ASSY.	FINISH	1095-KITS	
QTY. USED	HEAT TREAT	1	
DIMENSIONAL TOLERANCES UNLESS OTHERWISE SPECIFIED DECIMAL DIMENSIONS .XX ± .010 DECIMAL DIMENSIONS .XXX ± .005 ANGULAR ± X ° FRACTIONAL ± 1/64		APPROVALS APPROVED CHECKED DRAWN RM 6/28/97 SCALE NONE	DATE 5/16/89 5/8 WAS 19/32 6/28/97
INSTALLATION GUIDE 1095 RIM PANIC DEVICE FOR CENTER HUNG NARROW STILE			SHEET 1 OF 1 SHEETS DWG. NO. 10-480 REV. F

