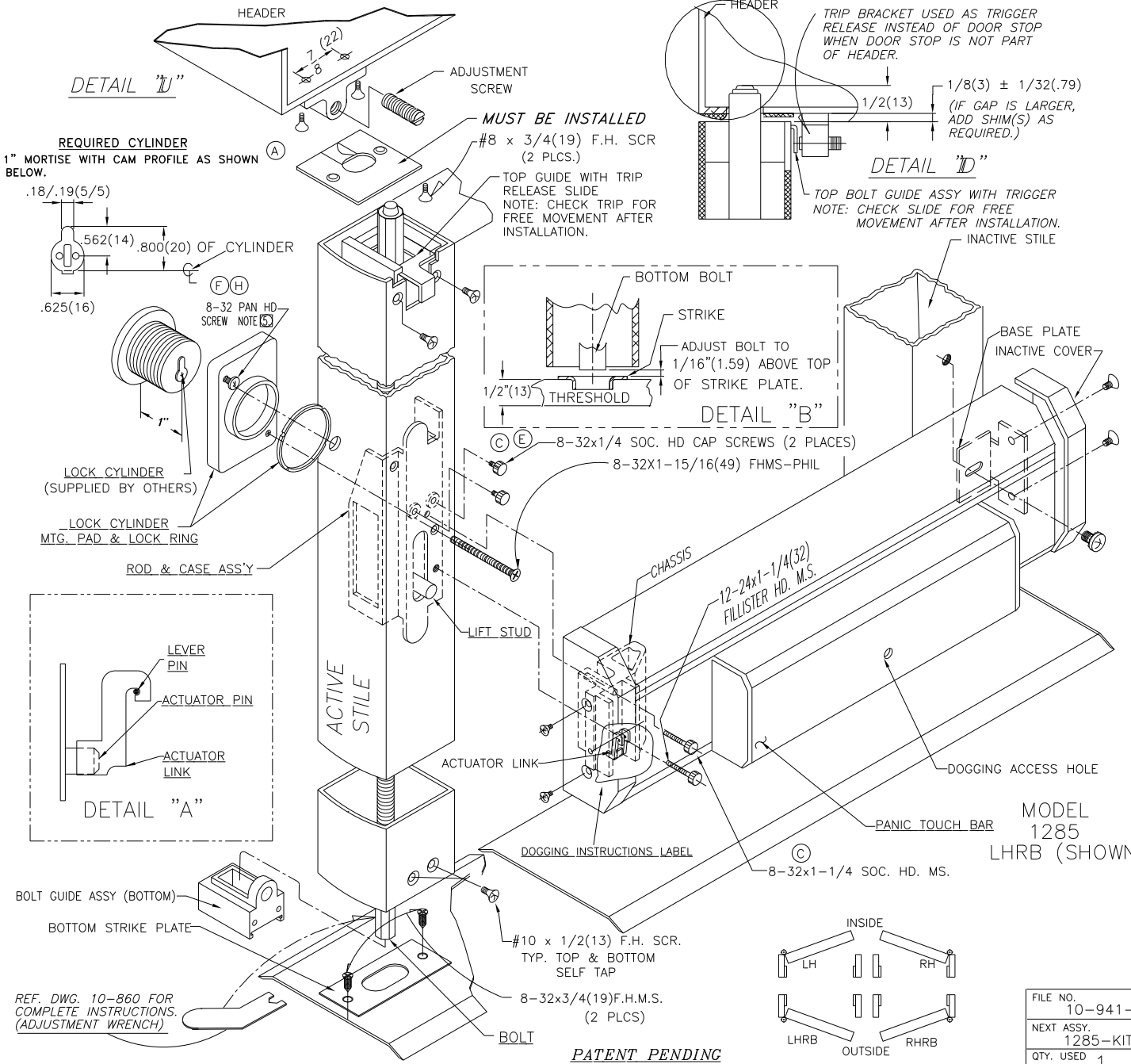


**MOUNTING INSTRUCTIONS:**

RELEASE FOR PRODUCTION DATE



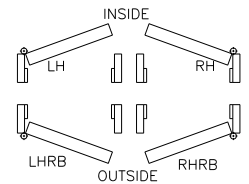
1. PREPARE ACTIVE STILE INSIDE FACE PER SHT. 2 OF 2, OR USE TEMPLATE 10-942  
NOTE - "PRIOR TO INSTALLING ROD & CASE, SEE PAGE 2 OF 2 DETAIL "S" FOR SPACER INSTALLATION."
2. INSTALL ROD & CASE ASS'Y INTO ACTIVE STILE, SECURE WITH 2 EA. 8-32x 1/4 SOC. HD. CAP SCREWS.
3. INSTALL TOP & BOTTOM STRIKES WITH 2 EA. #8x3/4(19) SELF-TAP SCREWS.
4. IF TRIM OR CYLINDER ARE NOT BEING USED, SKIP NOTE 5.
5. AS PER LOCK PAD VIEW SHOWN, INSTALL ONE 8-32 PAN HD. SCREW PARTIALLY TO SUIT NOMINAL WALL THICKNESS OF 1/8" OR 3/16". INSTALL PAD ASS'Y, AND ROTATE CLOCKWISE UNTIL IT LOCKS INTO POSITION, NOW INSTALL SINGLE 8-32 x 1-15/16" SCREW & TIGHTEN.  
NOTE: USE 8-32x5/16 PAN HD. ON 1/8" WALL THICKNESS  
USE 8-32x5/3/8 PAN HD. ON 3/16" WALL THICKNESS  
IF TRIM IS BEING USED, FOLLOW INSTALLATION GUIDE NO. 10-990 (WITH TRIM).
6. UNDOG PANIC DEVICE PER DOGGING INSTRUCTION LABEL ON ACTIVE COVER.
7. **PANIC ATTACHMENT**

REMOVE FRONT AND REAR END BASE COVERS BY RELEASING 6-32x3/16(5) FLAT HD. SCREWS. SECURE ACTIVE END OF PANIC BY INSTALLING ONE 12-24x1-1/4(32) FILLISTER HD. SCREW THROUGH CHASSIS AND ONE 8-32x1-1/4 SOC.HD MS, SECURE INACTIVE END WITH SINGLE 1/4-20x1/2(13) ROUND HD. M.S. (PHIL.) WITH SEMS THROUGH INACTIVE BASE PLATE. PROCEED BY RE-INSTALLING BASE COVERS ON EACH END OF PANIC BASE.

8. ADJUST TOP & BOTTOM BOLTS ALLOWING FOR 1/2"(13) OF BOLT TO EXTEND FROM VERTICAL STILE (REF. DETAIL "J") INSTALL BOLT GUIDES TOP & BOTTOM WITH (2) EACH #10x1/2(13) FL. HD. SELF-TAPPING SCREWS. (SEE DWG. 10-860)
9. DEPRESS PUSH BAR, TOP BOLT SHOULD LOCK IN THE RETRACTED (UNLOCKED) POSITION. IF LOCKING DOES NOT OCCUR READJUST BOLTS W/HALF TURN INCREMENTS UNTIL LOCKING OCCURS. VERIFY OPERATION BY FULLY DEPRESSING TOUCH BAR TO ACHIEVE DOGGING OR FULL RETRACTION OF BOLTS.

- TOP BOLT ADJUSTMENT:**
1. RELEASE TOP AND BOTTOM BOLTS BY DEPRESSING TRIGGER ON TOP BOLT GUIDE ASSEMBLY.
  2. POSITION TOP BOLT 1/2"(13) FROM TOP EDGE OF ACTIVE STILE.
- BOTTOM BOLT ADJUSTMENT:**
1. FULLY DEPRESS PUSH BAR, RETRACTING TOP AND BOTTOM RODS. ADJUST BOTTOM BOLT PER DETAIL "B"
- MANUAL CHECK:**
1. WITH TOP AND BOTTOM BOLTS FULLY RETRACTED, DEPRESS TRIGGER RELEASE, RODS WILL THEN EXTEND TO THE LOCKED POSITION.
  2. INSTALL TRIP BRACKET (REF. DETAIL "J") AND ADJUST SET SCREW SO THAT WHEN DOOR CLOSES, TOP BOLT GUIDE TRIGGER CONTACTS SET SCREW AND BOLTS TO EXTEND.
- DOGGING INSTRUCTIONS:**
- TO DOG- INSERT HEX. KEY TURN CLOCKWISE UNTIL IT STOPS, FULLY DEPRESS TOUCH BAR THEN RELEASE.
- TO UNDOG- INSERT HEX KEY TURN CLOCKWISE UNTIL IT STOPS, TOUCH BAR WILL RELEASE.

MODEL 1285 LHRB (SHOWN)



PATENT PENDING

REF. DWG. 10-860 FOR COMPLETE INSTRUCTIONS. (ADJUSTMENT WRENCH)

K 5.26.05 REF. PAGE 2 OF 2		ECN1841		RM
DIMENSIONAL TOLERANCES UNLESS OTHERWISE SPECIFIED		APPROVALS	DATE	<p>3447 UNION PACIFIC AVE. LOS ANGELES, CALIF. 90023</p>
DECIMAL DIMENSIONS .XX ± .010	CHECKED	APPROVED		
DECIMAL DIMENSIONS .XXX ± .005	DRAWN	RM	5/29/99	
ANGULAR ± °   FRACTIONAL ± 1/64	SCALE	NONE		
FILE NO. 10-941-1	FINISH NONE	INSTALLATION GUIDE		SHEET 1 OF 2 SHEETS
NEXT ASSY. 1285-KITS	HEAT TREAT	1285 CVR PANIC DEVICE		DWG. NO. 10-941-1
QTY. USED 1				REV.